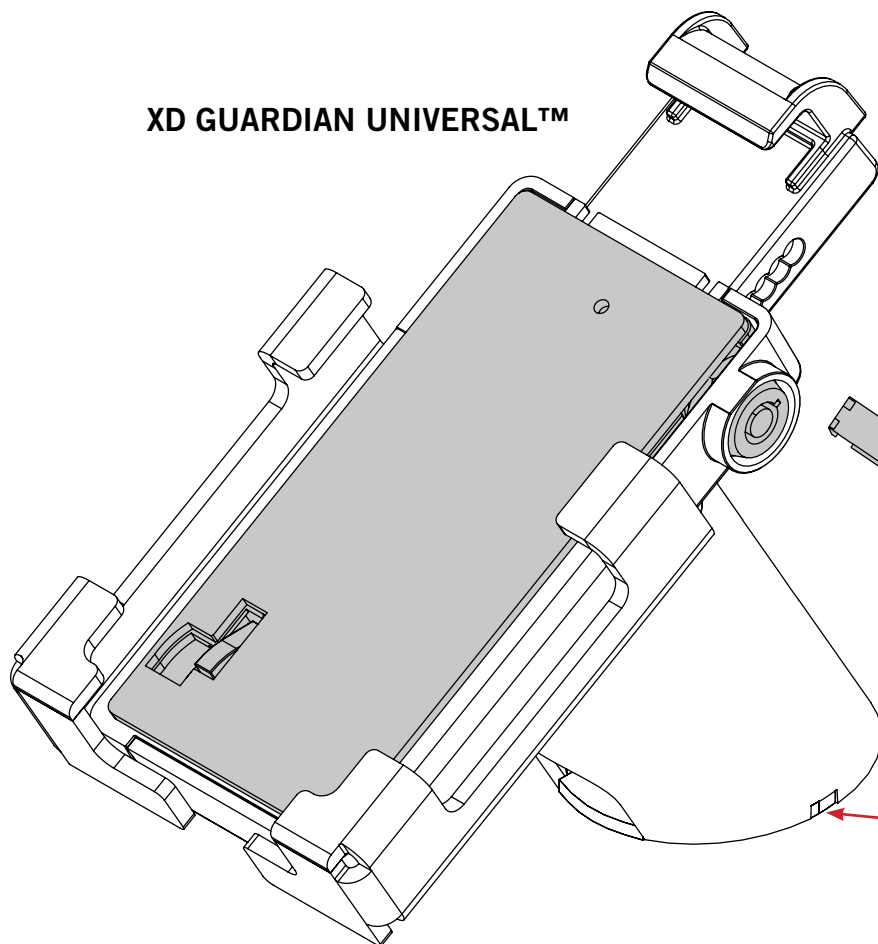


PARTS INCLUDED



XD GUARDIAN UNIVERSAL™



Barrel Key

**165-00770 #1
REV 1 D/C 0219**



If the key is lost, please refer to the label on the bottom of the riser and contact Customer Service.

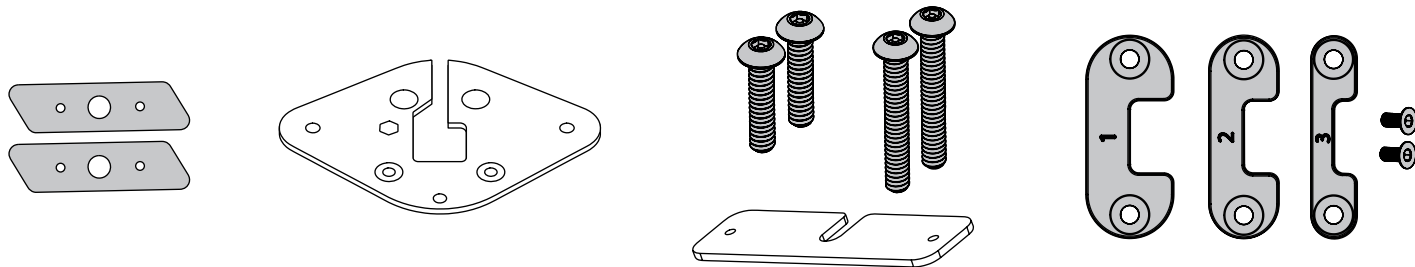


WARNING: MTI products contains chemicals known to the State of California to cause cancer and birth defects or other reproductive harm. Proposition 65, California Health & Safety Code Section 25249.6 et seq. Visit oehha.ca.gov for more information.



MOUNTING KITS

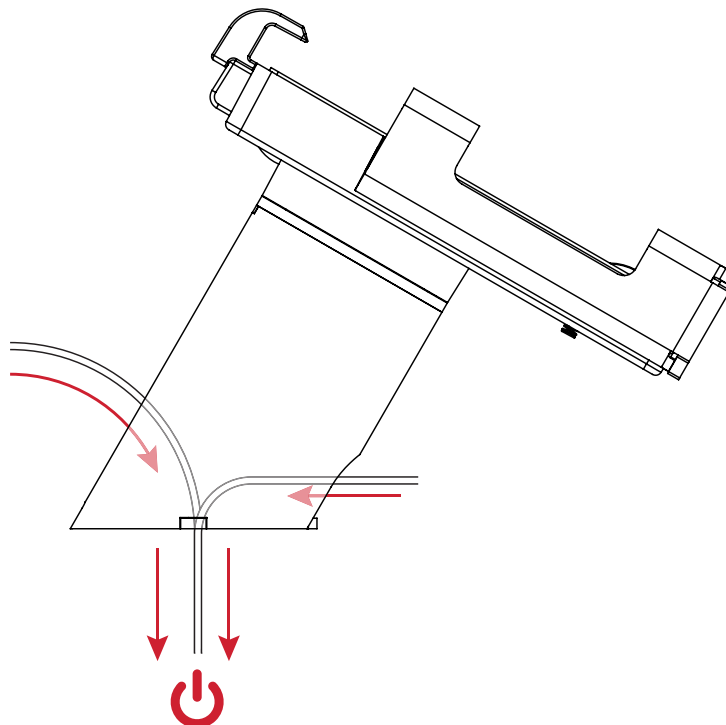
Track Adapter Kit



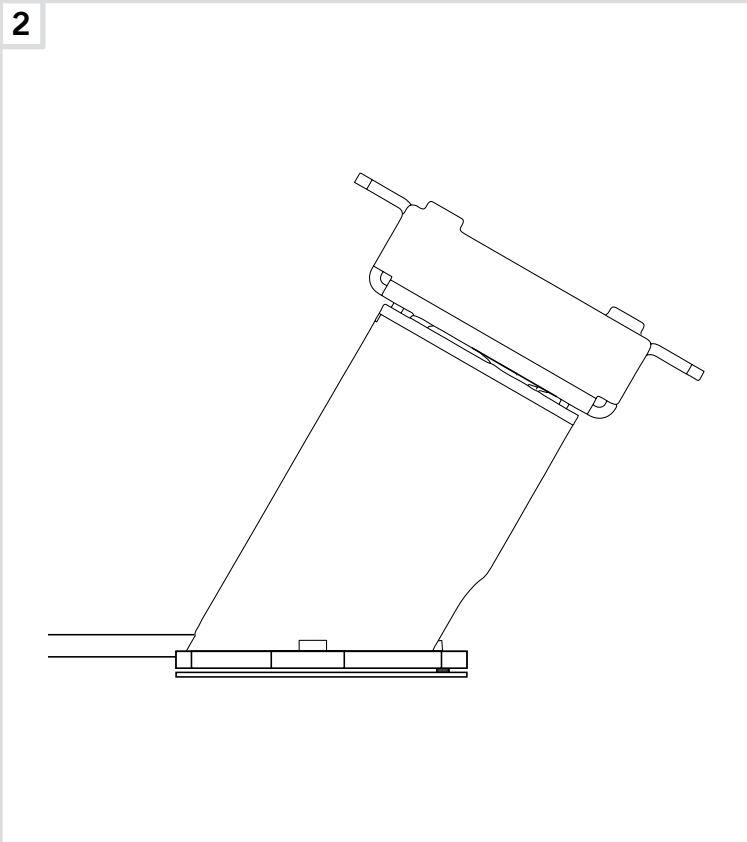
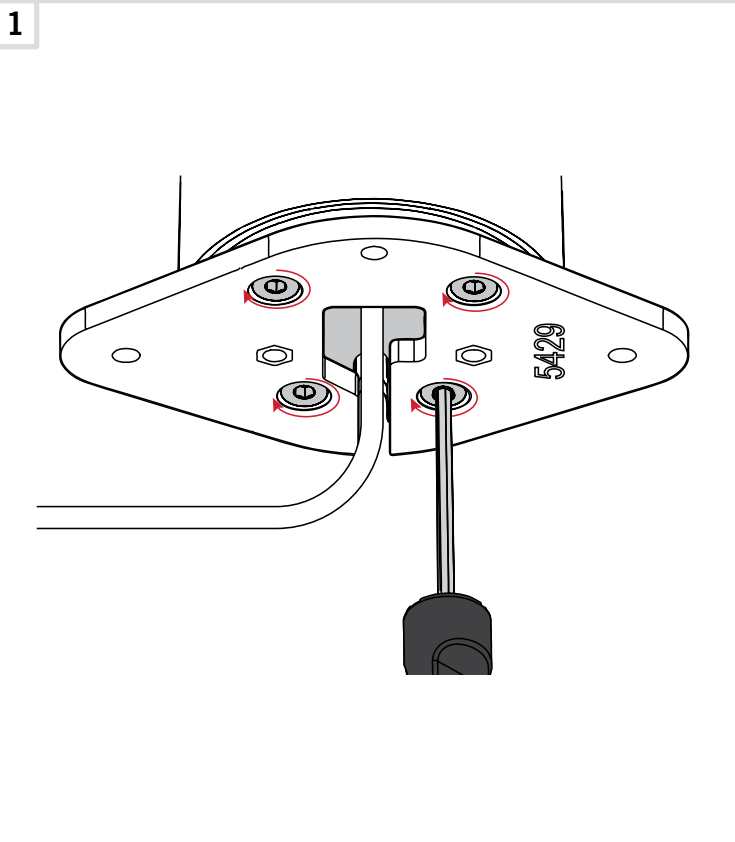
CABLE ROUTING



Install cable before mounting riser to the fixture. Insert the power end of the product's power cable down and route through the XD Guardian Universal™ position in the manner appropriate for your fixture.

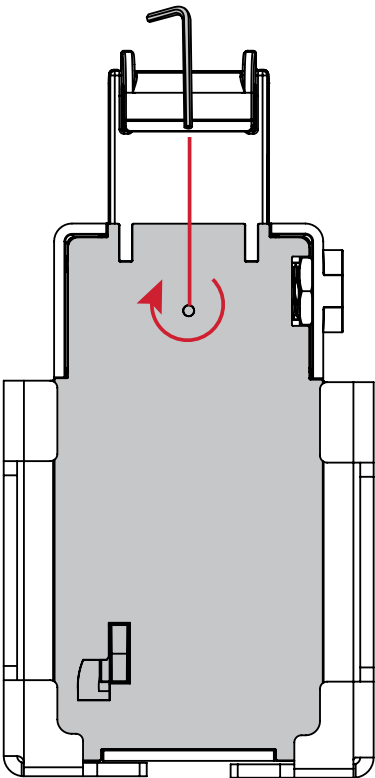
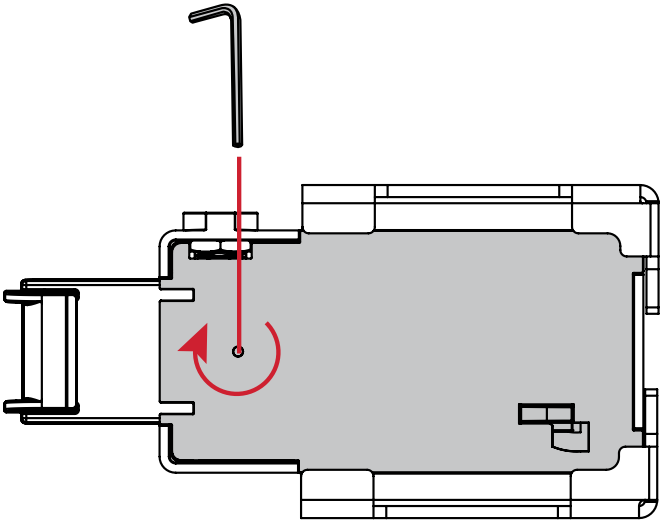

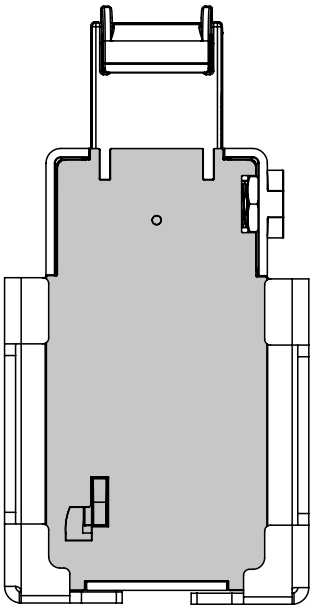



TRACK INSTALLATION



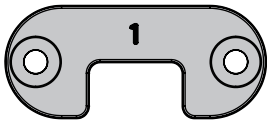
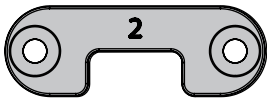




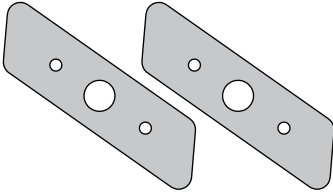
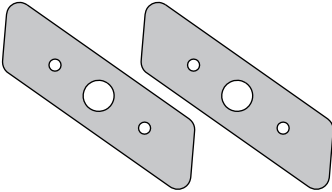
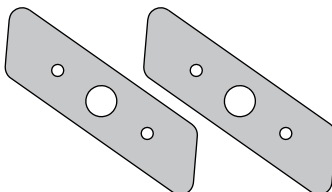
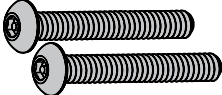
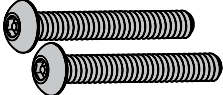
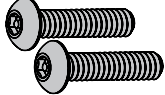
SWIVEL



Locked Portrait	Locked Landscape
	
<p data-bbox="354 1115 516 1146">Free Swivel</p>  	 <p data-bbox="878 1514 1490 1587">The top sliding bracket needs to be fully extended to lock rotation with the set screw.</p>

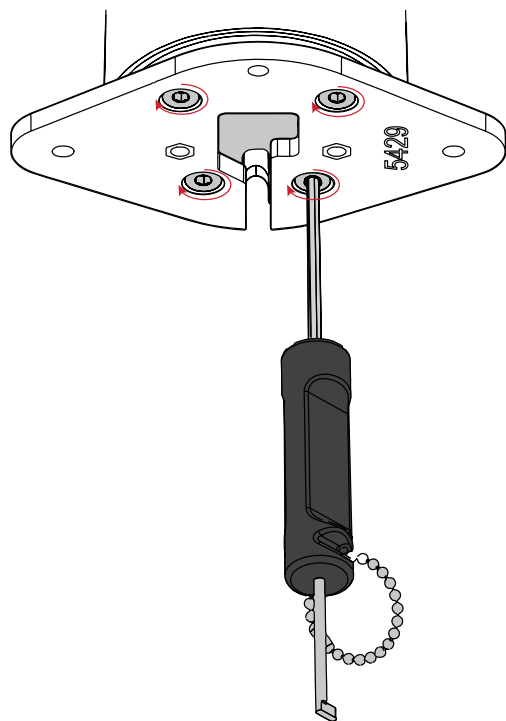
TRACK KIT CONFIGURATIONS



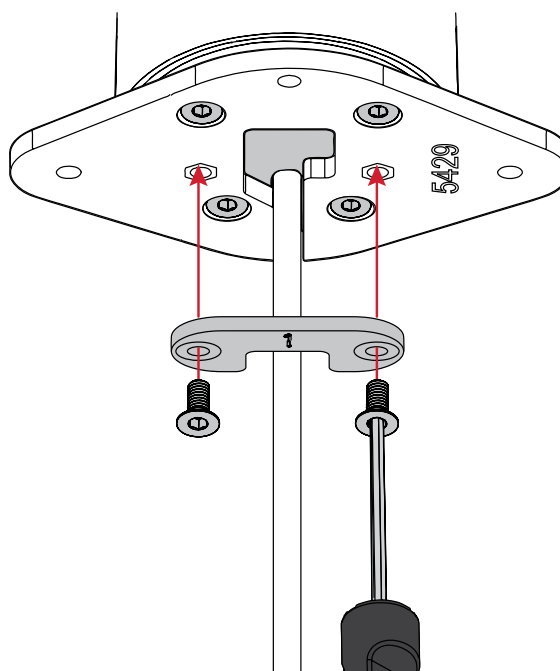
Solid Surface, Grommet or Radial Track	Through Track with Acrylic Top	Aluminum Track or Panel Wall
<p>Spacer Adapter</p> 	<p>Spacer Adapter</p> 	<p>Spacer Adapter</p> 
<p>Spacer Screws</p> 	<p>Spacer Screws</p> 	<p>Spacer Screws</p> 
<p>Track Mounting Tabs</p> 	<p>Track Mounting Tabs</p> 	<p>Track Mounting Tabs</p> 
<p>Mounting Tab Screws Long</p> 	<p>Mounting Tab Screws Long</p> 	<p>Mounting Tab Screws Short</p> 

TRACK INSTALLATION

1 Attach the Track Adapter Baseplate with the baseplate screws using the Double-Sided System Tool.



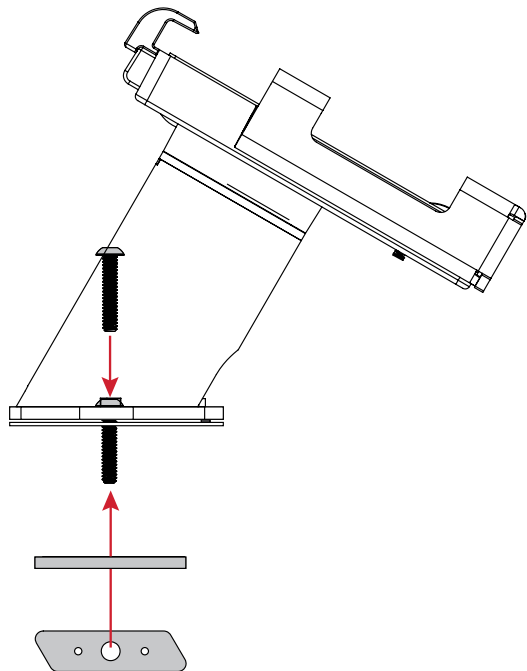
2 Attach Spacer Adapter with the spacer screws using the Double-Sided System Tool. Make sure that the spacer number is facing down.



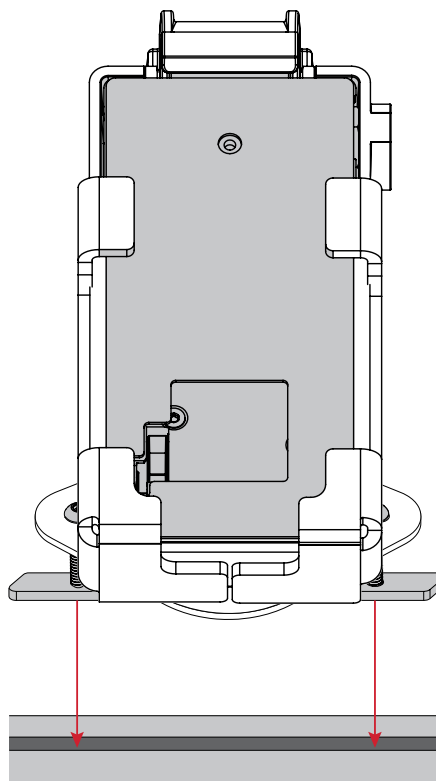
TRACK INSTALLATION



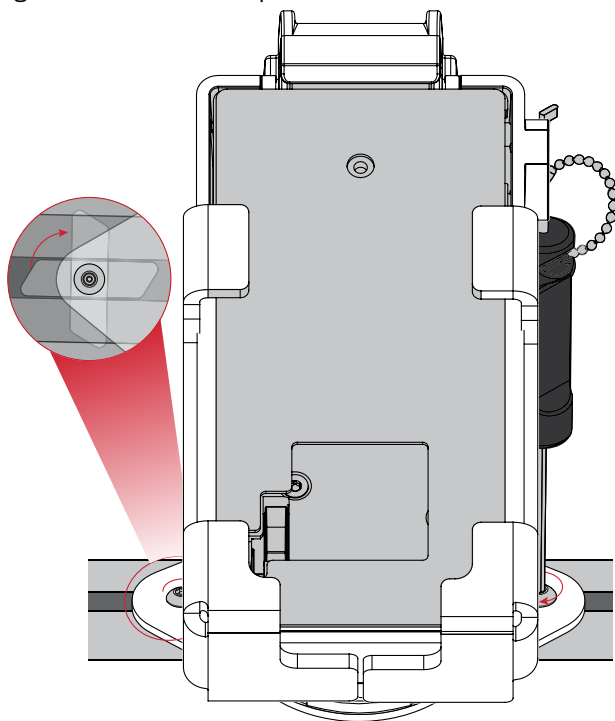
- 3** Insert the Short Mounting Tab Screws into the holes on either side of the baseplate. Rotate the mounting tabs onto the mounting screws until flush with bottom of screw. Make sure the DOTTED side of the mounting tabs is facing DOWN.



- 4** Align the mounting tabs and press them into the track.



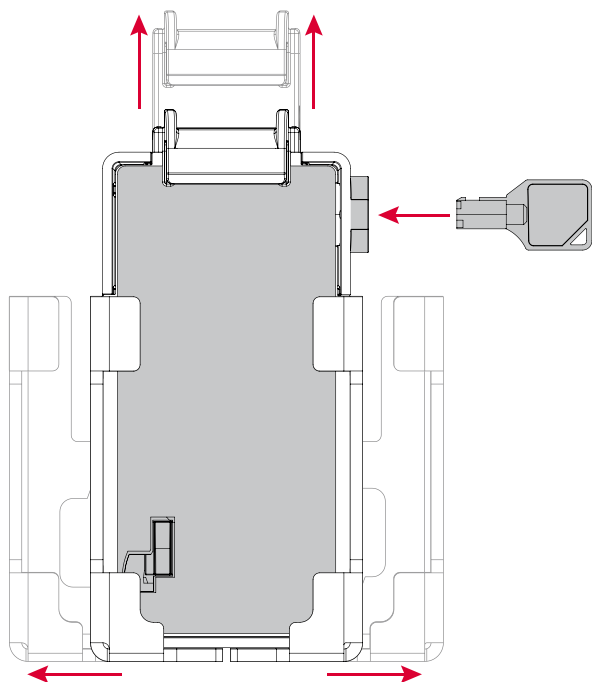
- 5** Hold the position steady with one hand. With your other hand use the Double-Sided System Tool to turn the screws to move the mounting tabs into position. Tighten screws to lock position to the fixture.



DEVICE INSTALLATION

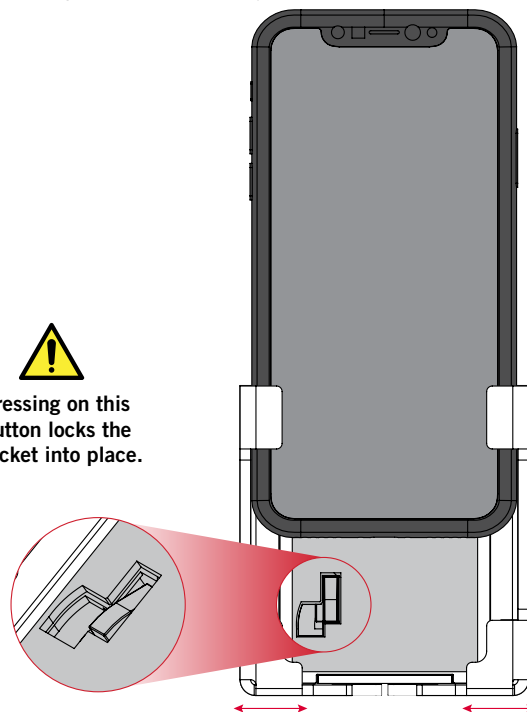


- 1** If the position is locked, insert the key into the barrel lock and turn clockwise to unlock. Slide the top and side brackets away from the center of the position.

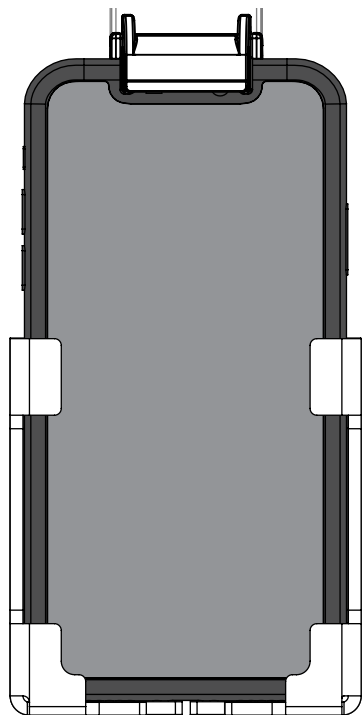


- 2** Place the phone on the position, but not over the button. Slide the side brackets in to fit the phone, then slide the phone all the way down over the button.


Pressing on this button locks the bracket into place.



- 3** Slide the top bracket down against the phone.



- 4** Insert the key into the barrel lock and turn clockwise to unlock. Push on the cylinder in the middle of the lock to re-lock.

