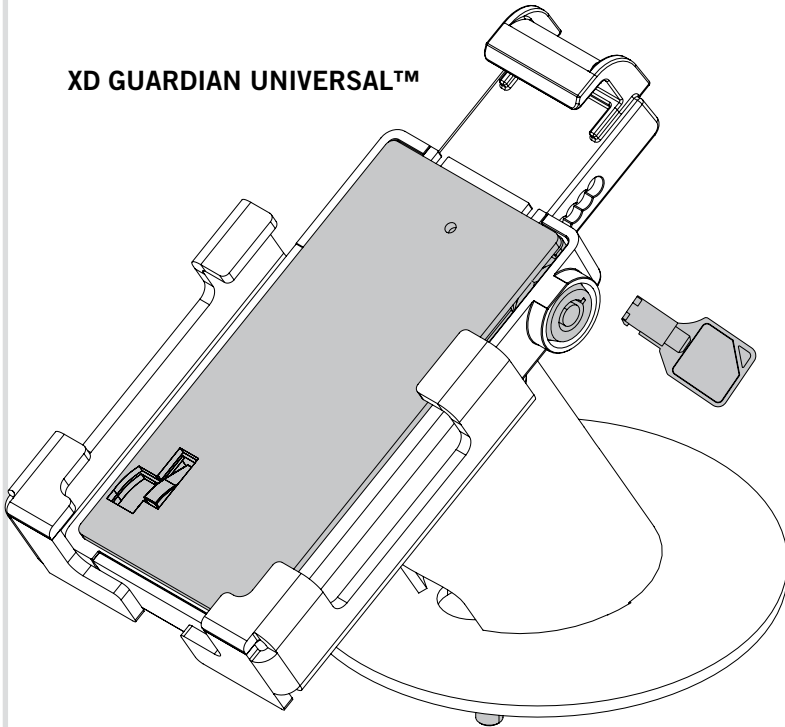
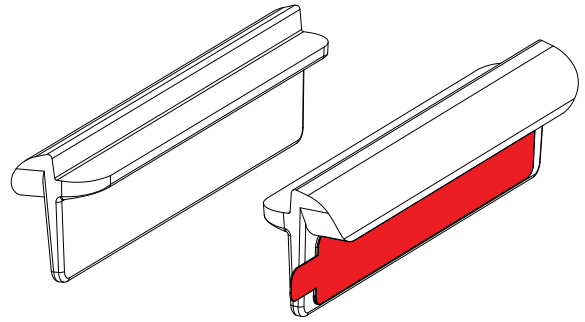


1

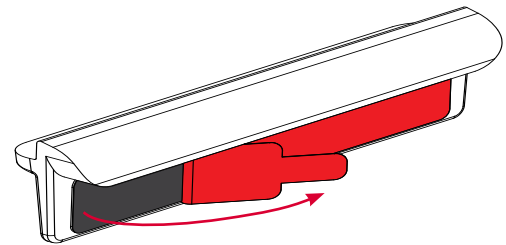
XD GUARDIAN UNIVERSAL™



Side Shield

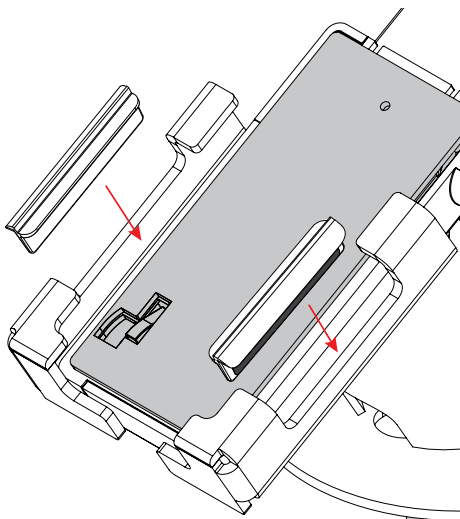


Remove VHB liner from Side Shield.

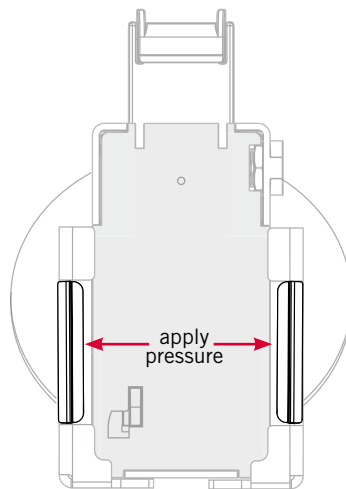


APPLICATION

1 Slide in the side shield into inside of XD Guardian side bracket arms

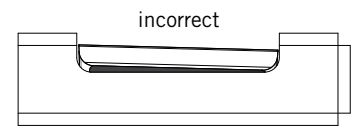
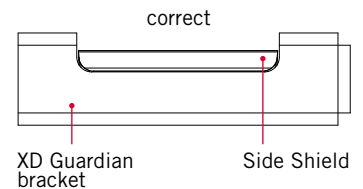


2 Once side shields are seated correctly apply pressure against inside of side brackets for 10 seconds and allow it to sit 24 hours.



00:00:10

3 Ensure side shields are aligned correctly when applying pressure.



side view