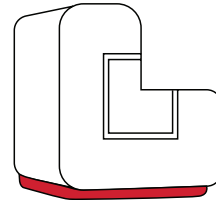
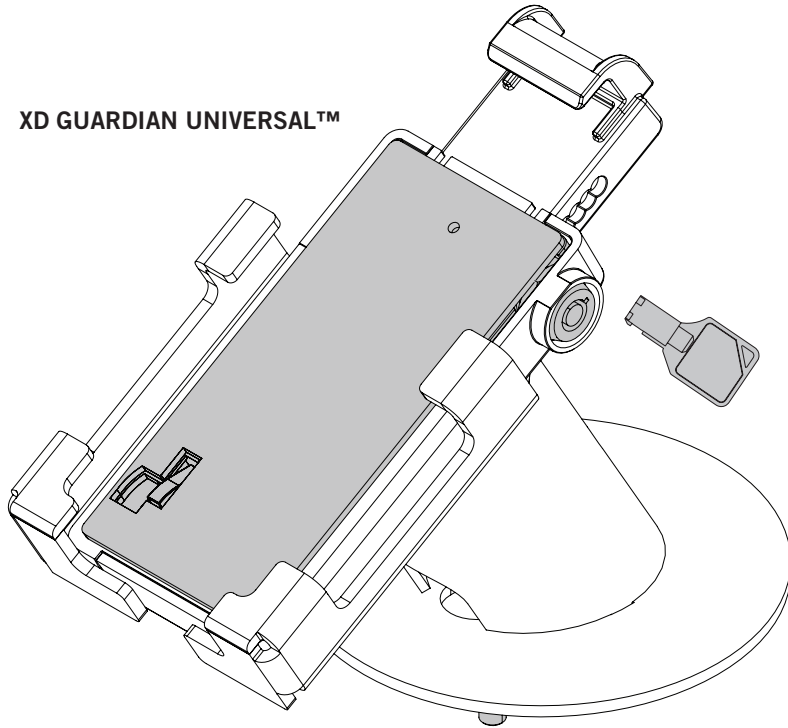
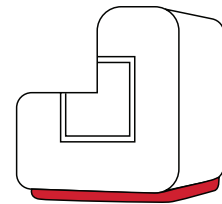


1 ⚠️ **USE OF THESE SPACERS APPLIES ONLY TO IPHONE 13 PRO AND IPHONE 13 MINI**

XD GUARDIAN UNIVERSAL™

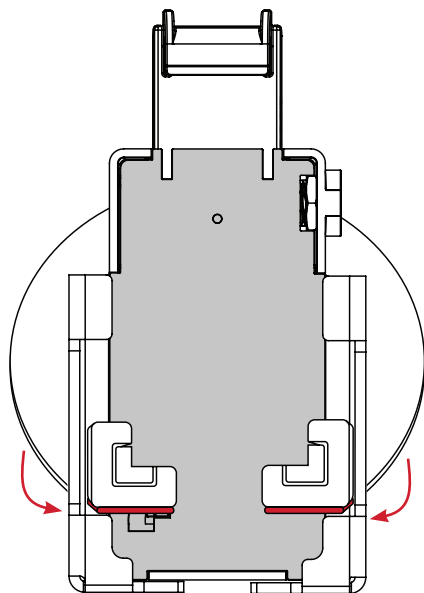


SPACERS
Remove VHB tape from Spacers.



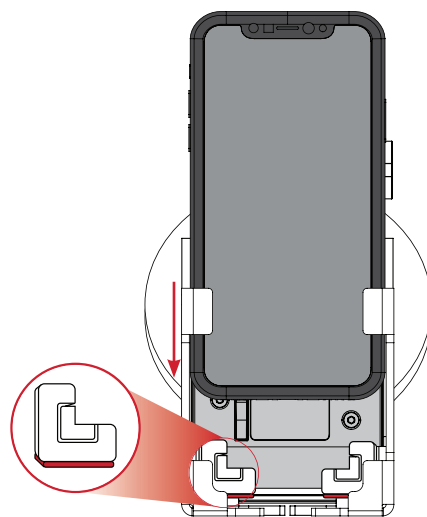
APPLICATION

1 Secure Spacers into bottom corners of XD Guardian Universal™ bottom brackets.



2 Slide iPhone 13 Pro/ iPhone 13 Mini down so that the bottom of the phone meets the top of the spacers.

(Be careful to avoid the camera bump as you slide the phone down.)



3 Secure the brackets to the side & top of the device & lock.

