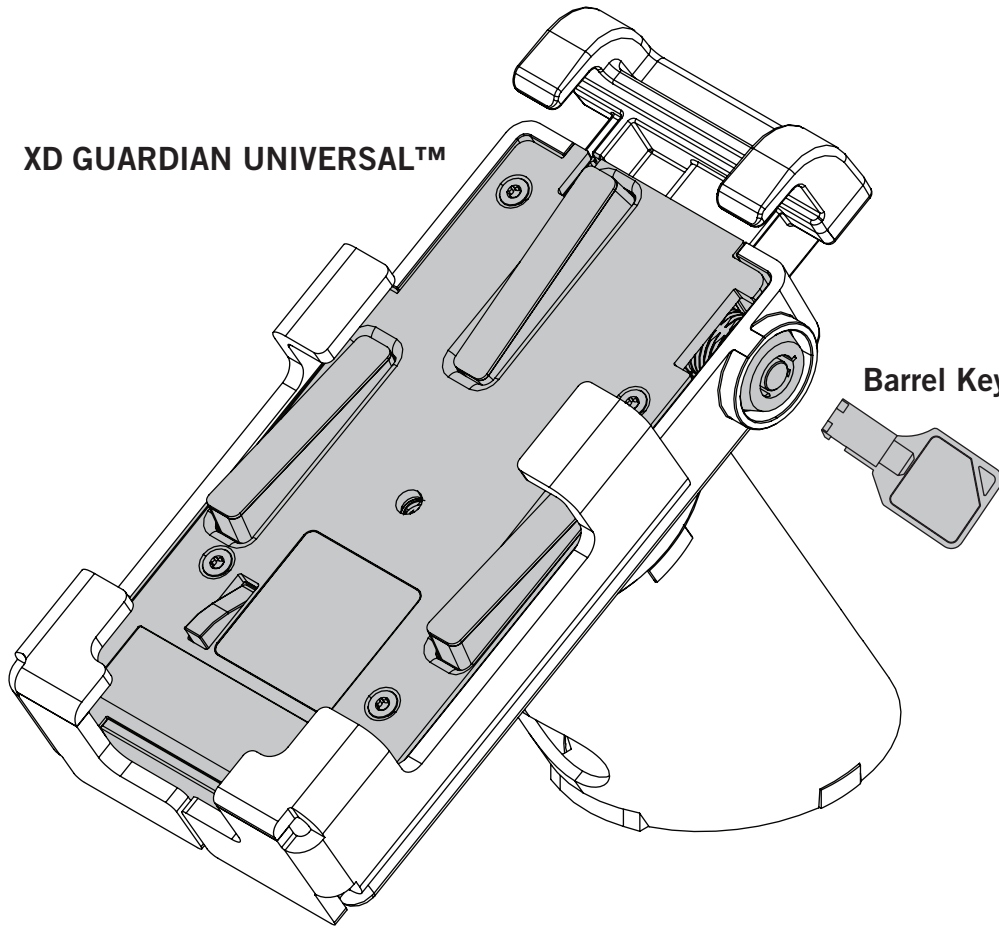
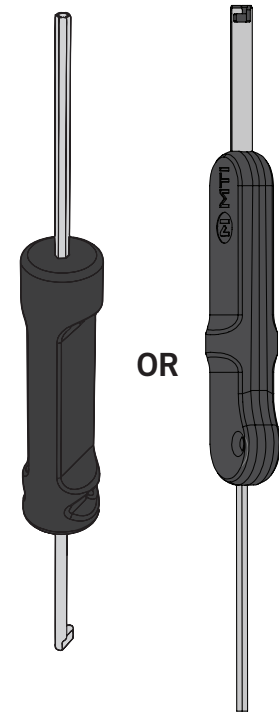


XD GUARDIAN UNIVERSAL™



Barrel Key



OR

**MTI Black Handle Tool
(not included)**



WARNING: MTI products contains chemicals known to the State of California to cause cancer and birth defects or other reproductive harm. Proposition 65, California Health & Safety Code Section 25249.6 et seq. Visit oehha.ca.gov for more information.



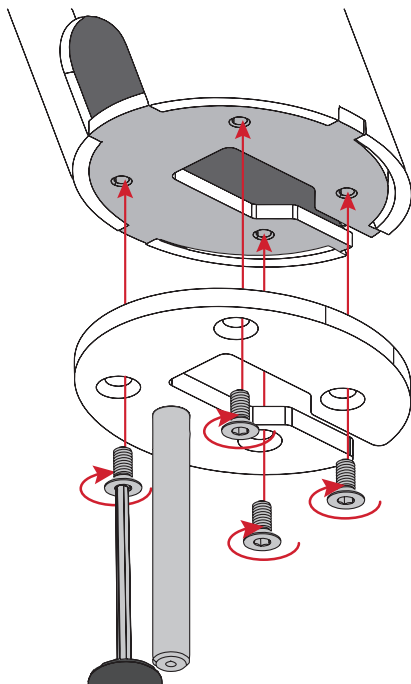
MOUNTING KITS

Slot Mounting Kit	Through-Hole Mounting Kit	Dual Stud Mounting Kit

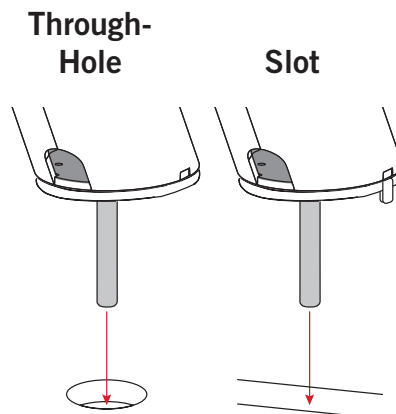
Locked Portrait	Locked Landscape	Free Swivel

POSITION INSTALLATION

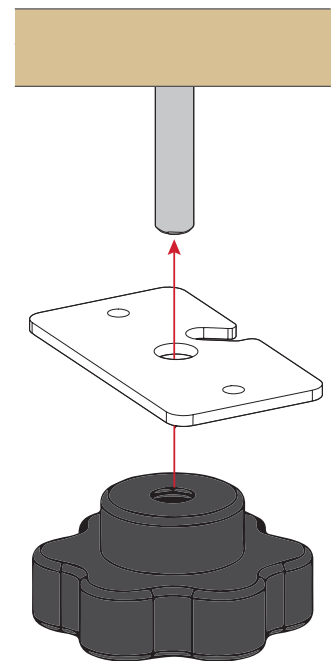
- 1** Place the adapter over the post and secure with the hex screw using the hex key.



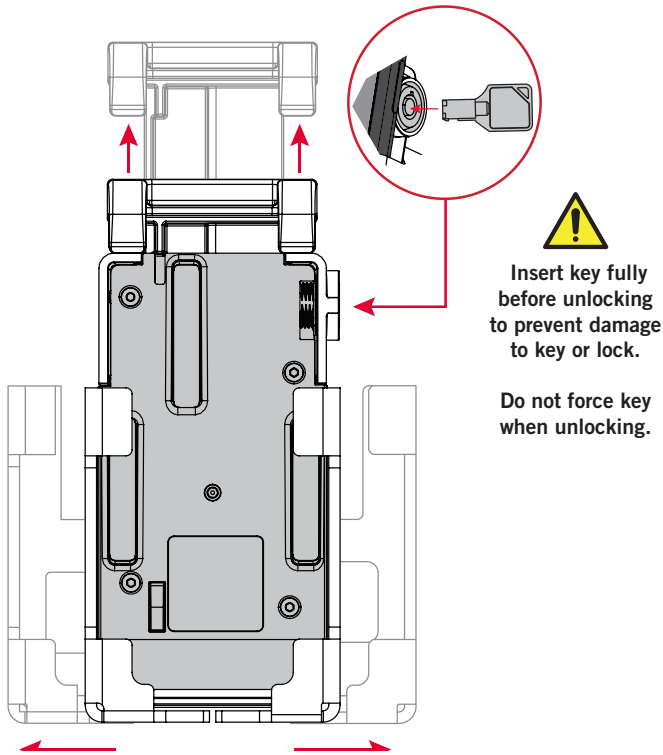
- 2** Place in the desired location on the fixture.



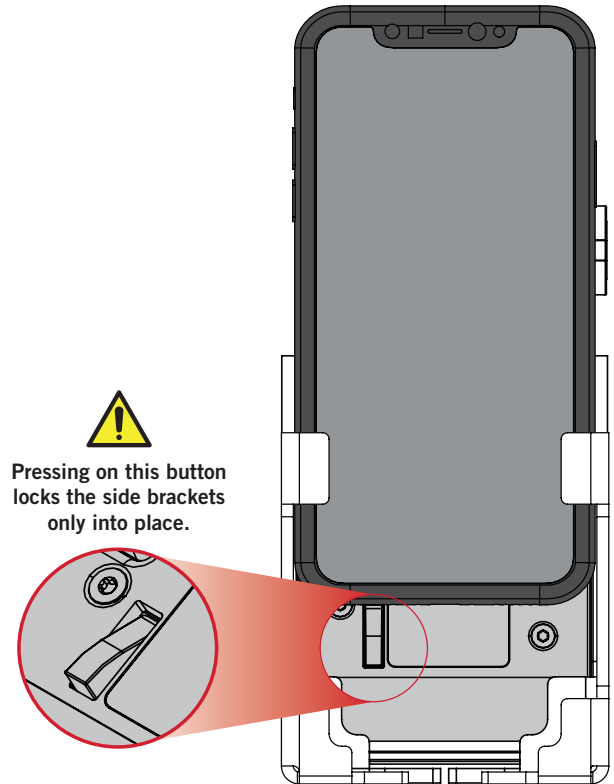
- 3** From the underside, slide the mounting plate all the way over the post with the gap facing the front of the position. Tighten the black knob onto the post.



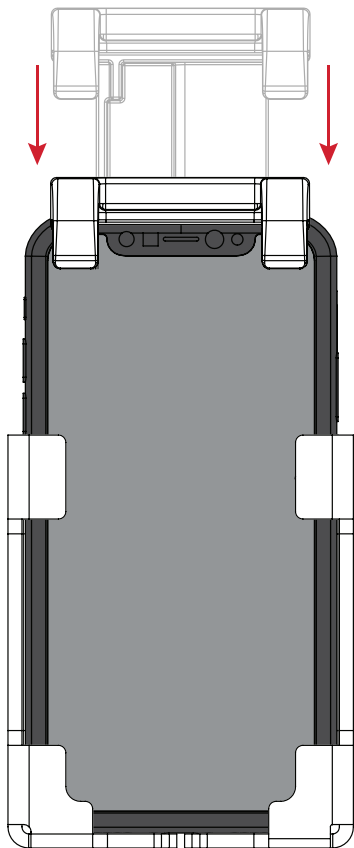
- 1** If the position is locked, insert the key into the barrel lock and turn clockwise to unlock. Slide the top and side brackets away from the center of the position.



- 2** Place the phone on the position, but not over the button. Slide the side brackets in to fit the phone, then slide the phone all the way down over the button.



- 3** Slide the top bracket down against the phone.



- 4** Push on the cylinder in the middle of the lock to re-lock the top bracket.

