

Custom 8" VESA DISK INSTALLATION FOR 8" SMARTBACK Kit

NOTE* Can accommodate both Near Side and Far Side 75mm VESA Standards.

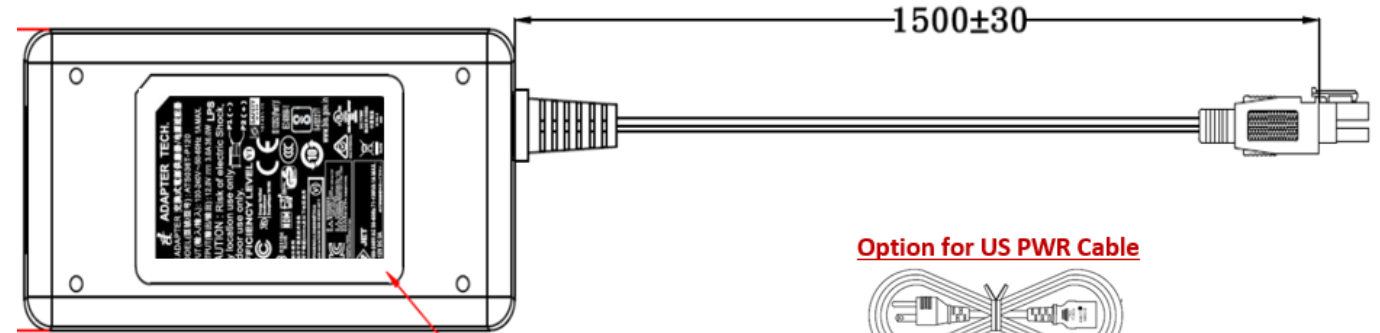


BEFORE INSTALLING: Do not overtighten screws. Using excessive force when tightening screws can damage the threads on devices and damage product.

8" VESA Disk



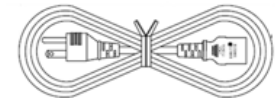
8" SmartBack



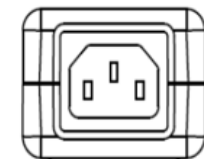
BOTTOM VIEW

Label

Option for US PWR Cable

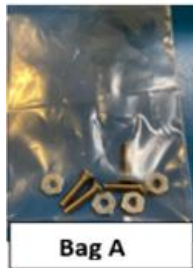


Option for UK PWR Cable



FRONT-VIEW

HARDWARES



Bag A



Bag B

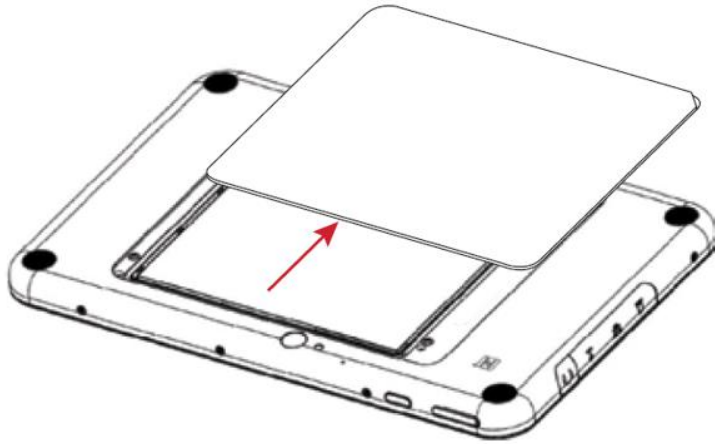


Bag C

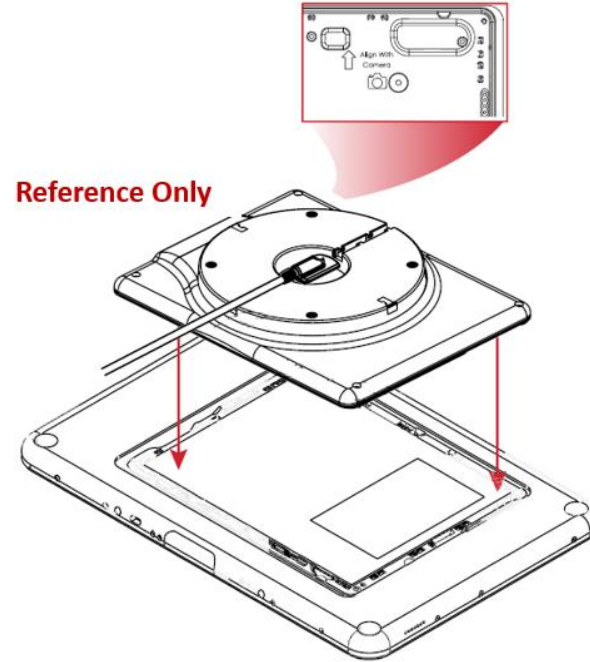


BEFORE INSTALLING: Do not overtighten screws, using excessive force when tightening screws can damage the threads on device and damage product.

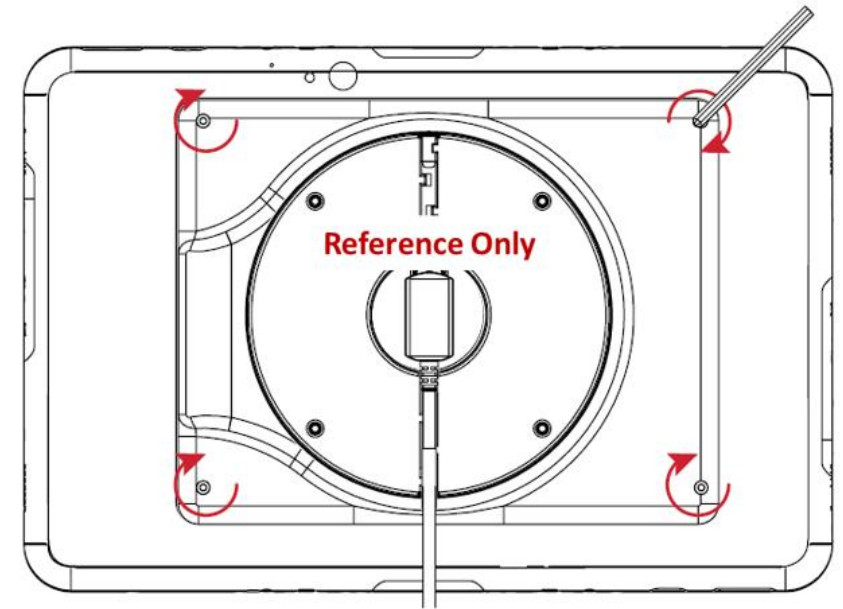
- 1** Lift the existing battery cover by pulling the notch on the lower left corner and completely remove it.



- 2** Place the VESA SmartBack into the battery opening. Make sure that the arrow on the inside of the SmartBack points to the Tablet Camera.



- 3** Very carefully secure the SmartBack to the tablet, applying light force to the Hex Key to tighten the 4 corner screws.



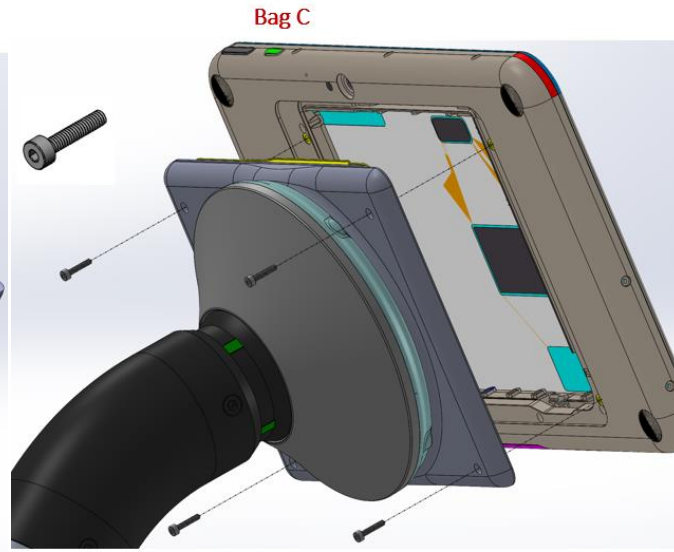
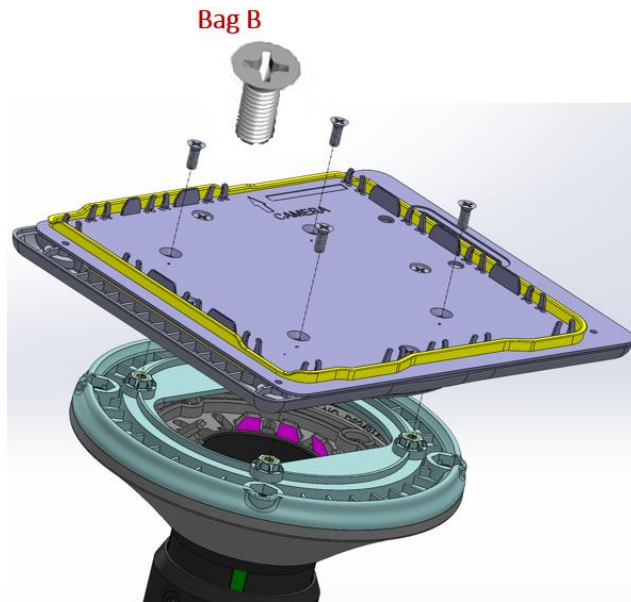
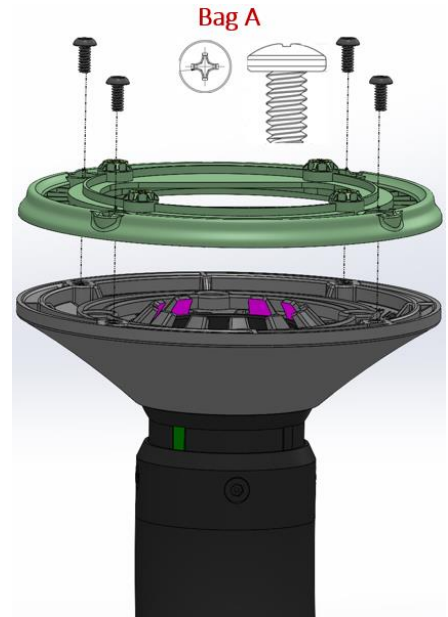
If you have access to a torque screw-driver, Aava recommends setting the driver to 1.23 inch-pounds of torque, or 14 newton centimeters.

Connect the AAVA Tablet to 8" SmartBack per the section boxed in red – MTI recommends placing the AAVA Tablet facedown onto a flat table surface and installing in the manner shown below (This ensures the SmartBack properly installs into the AAVA Tablet).

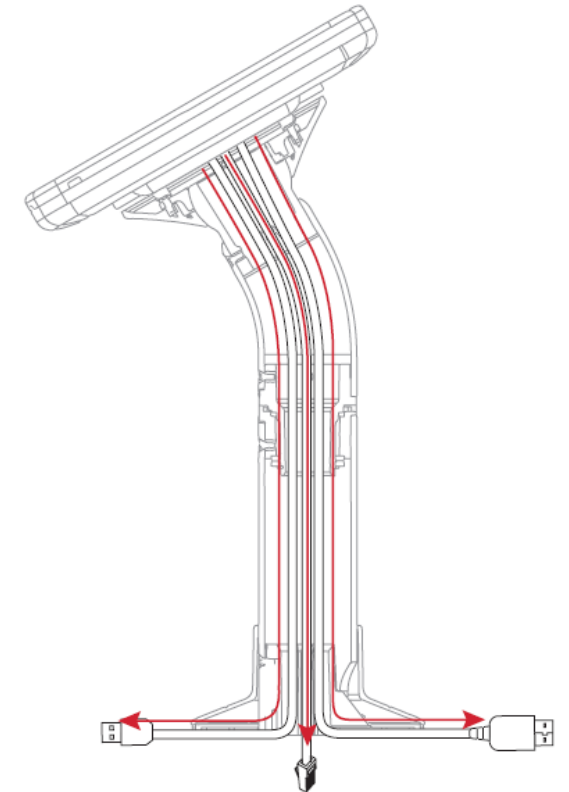


Pipeline VESA Mount, Near Side (Option 1)

- 1) **With existing Kiosk** – Attach Adapter ring onto VESA Mount using four screws (**Bag A**) discard nuts.
- 2) **Secure 8" SmartBack** – Attach SmartBack to Adapter ring with four screws (**Bag B**).
- 3) **Install** - Take the 8" SmartBack with cable wire, route cable through the MTI Kiosk Pipeline.
- 4) **Secure AAVA Tablet** - Attach AAVA tablet to SmartBack, secure with four screws (**Bag C**).



Cable Routing

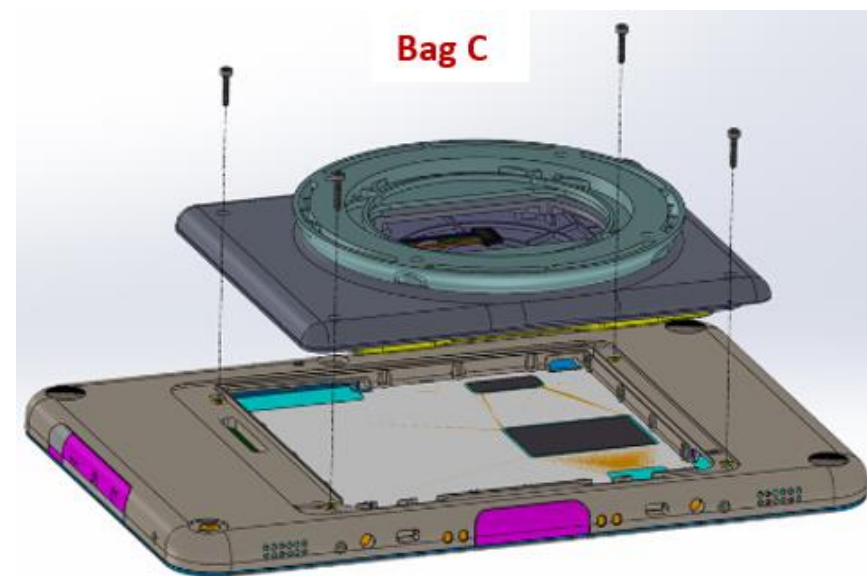
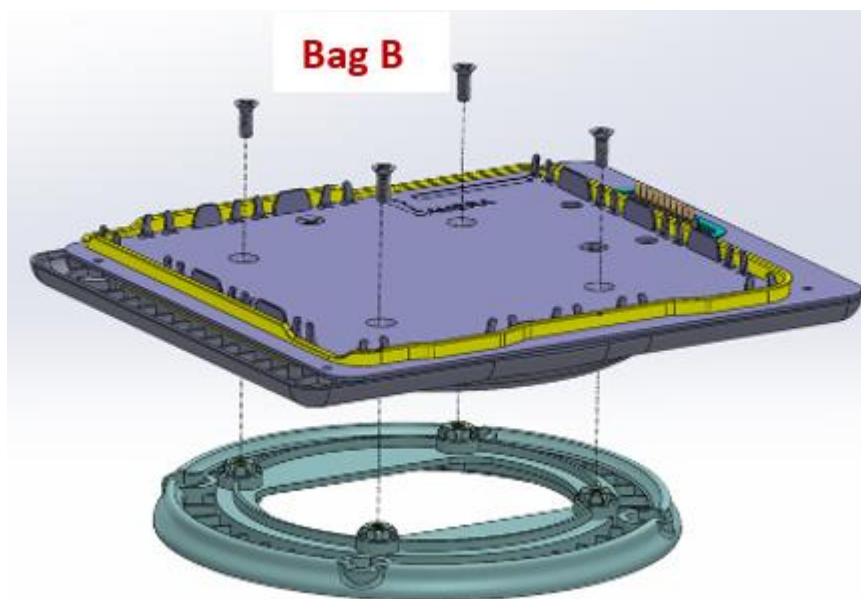
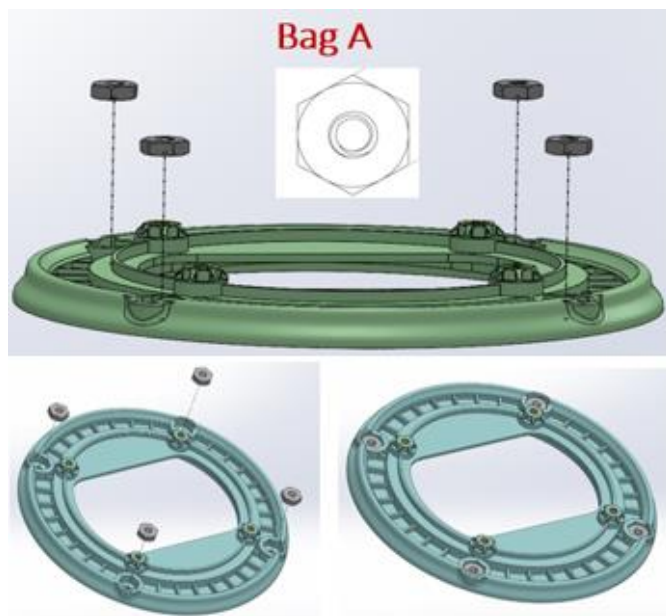


VESA SMARTBACK

Pipeline VESA Mount, Rear Pass thru / Far Side (Option 2)

- 1) **Install** – Press four nuts from **(Bag A)** flush into 8” Adapter ring. “Do not discard screws”
- 2) **Secure 8” SmartBack** - Attached SmartBack to adapter ring, secure with four screws **(Bag B)**.
- 3) **Install** – Attach Adapter ring with SmartBack to the AAVA tablet while tablet is face down on a flat surface, secure using four screws **(Bag C)**.

 Do not overtighten screws, using excessive force when tightening screws can damage the threads on device and damage product.

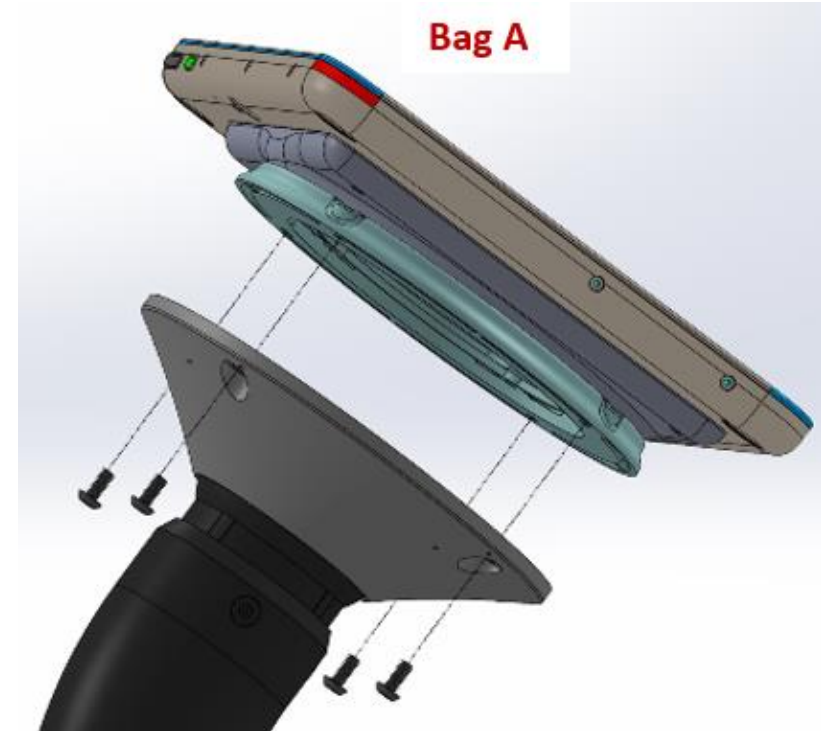
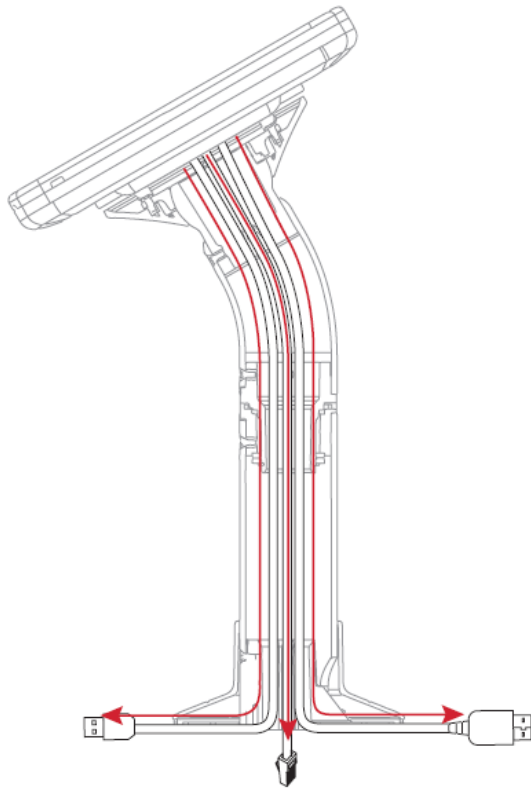


Pipeline VESA Mount, Rear Pass thru / Far Side (Option 2)

4) **Install** - Take the 8" SmartBack with cable wire, route cable through the MTI Kiosk Pipeline.

5) **Secure** - Attach the Tablet with SmartBack and Adapter ring to the VESA stand using four screws from **(Bag A)**.

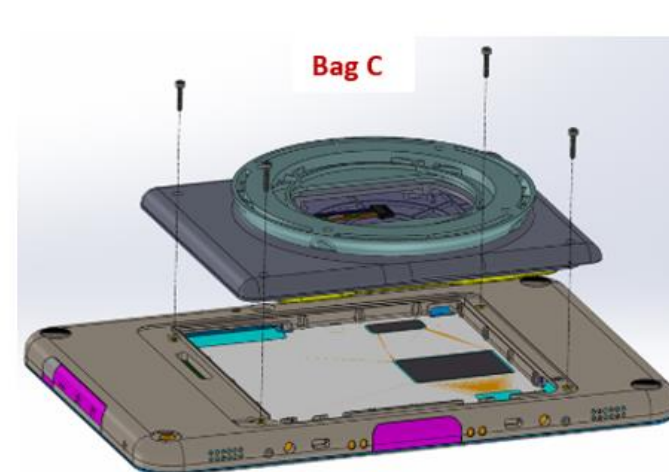
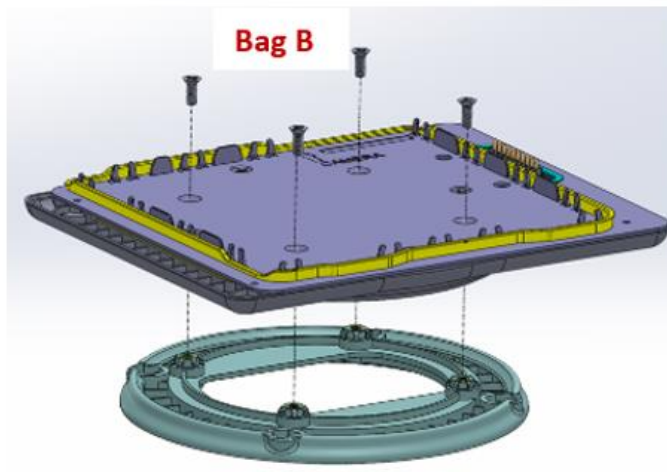
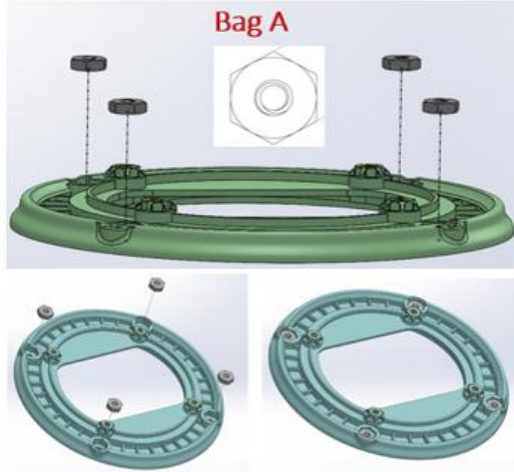
Cable Routing



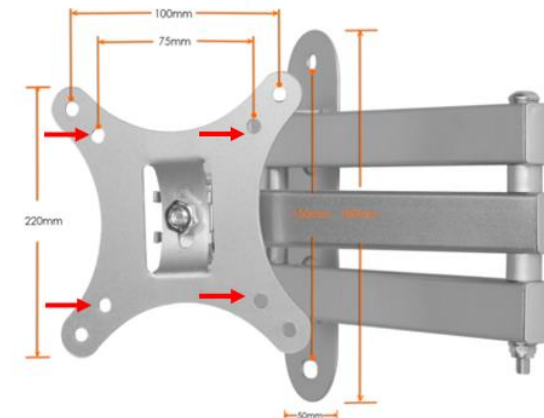
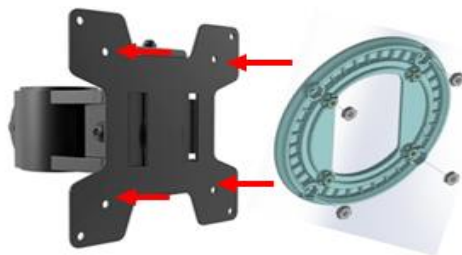
With Existing 75mm VESA Mount, Rear Pass thru (Option 2)

- 1) **Install** – Press four nuts from (**Bag A**) flush into 8” Adapter ring. “Do not discard screws”
- 2) **Secure 8” SmartBack** – Attached SmartBack to adapter ring, secure with four screws (**Bag B**)
- 3) **Install** – Attach SmartBack with adapter ring to the AAVA tablet while tablet is face down on flat surface, secure using four screws (**Bag C**).

Do not overtighten screws, using excessive force when tightening screws can damage the threads on device and damage product.



Reference Only

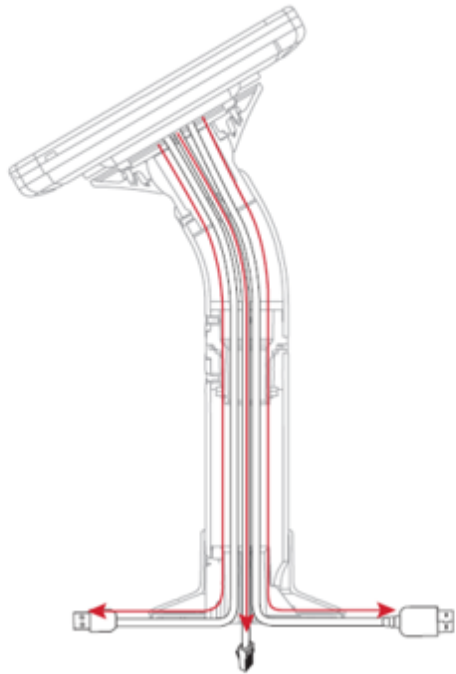


8" Pipeline Table Stand

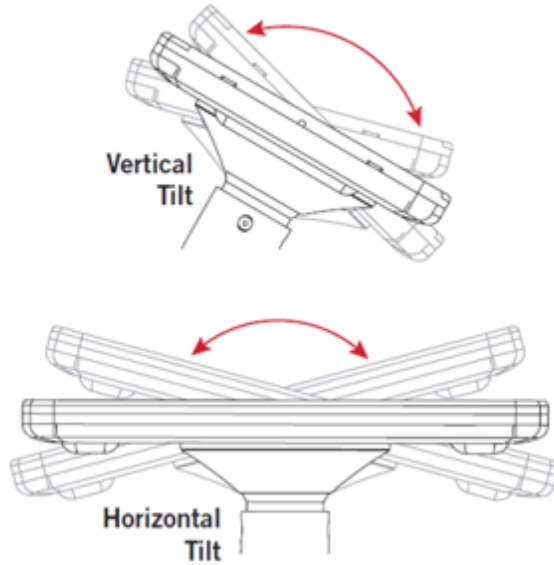
PIPELINE™ (PATENT.No. D824917)

CABLE ROUTING AND MOTION PIPELINE™ (PATENT.No. D824917)

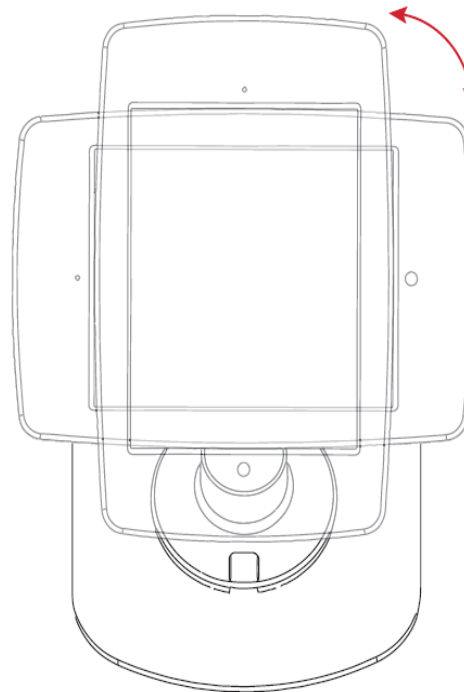
Cable Routing



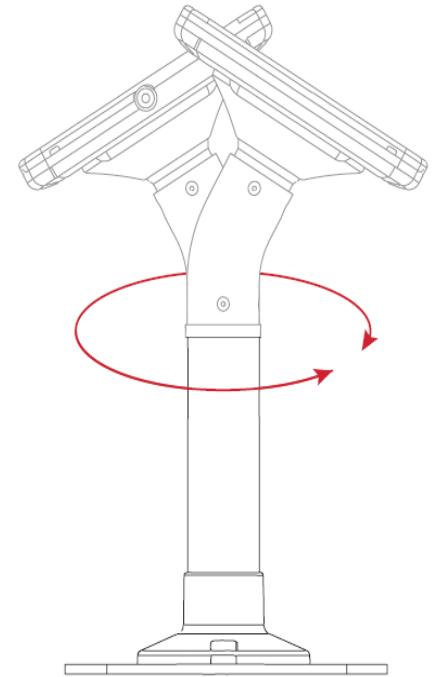
10°-15° Omnidirectional Tilt



90° Rotate



360° Swivel



8" Pipeline Table Stand

PIPELINE™ (PATENT.No. D824917)

