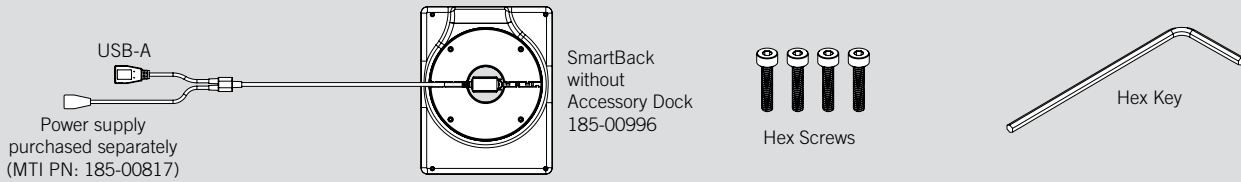
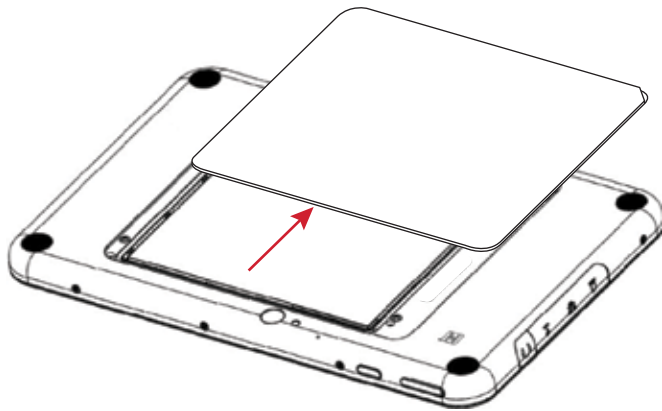


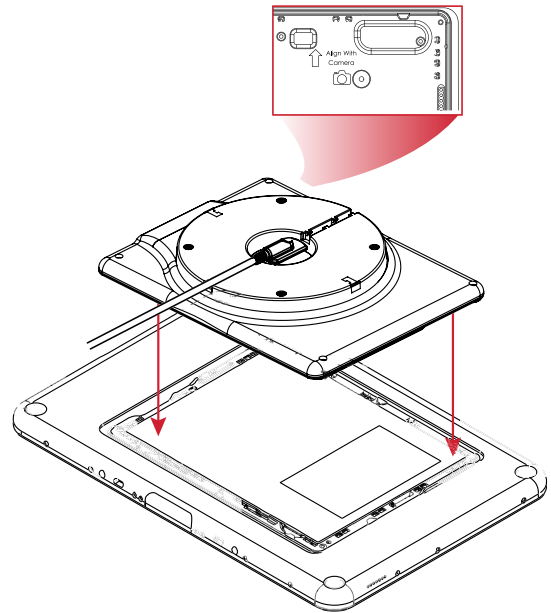
**NOTES BEFORE INSTALLING:** Do not overtighten screws. Using excessive force when tightening screws can damage the threads on devices and damage product.



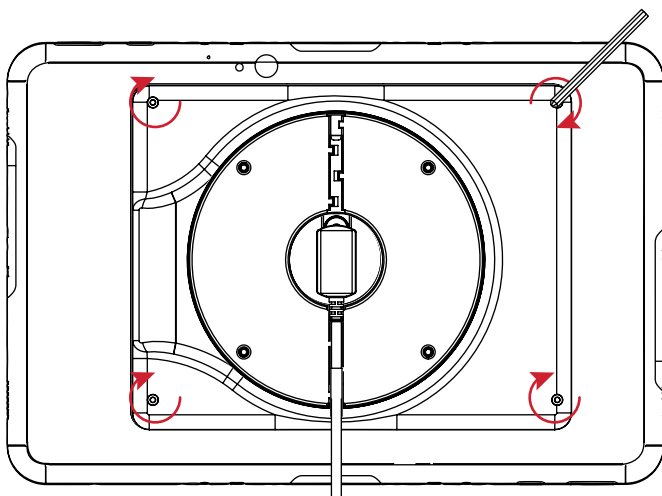
**1** Lift the existing battery cover by pulling the notch on the lower left corner and completely remove it.



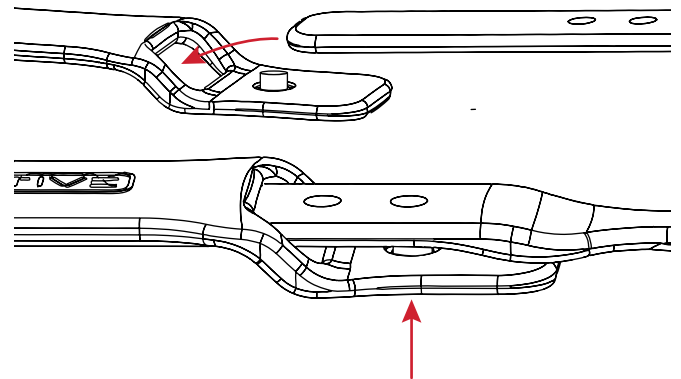
**2** Place the VESA SmartBack into the battery opening. Make sure that the arrow on the inside of the SmartBack points to the Tablet Camera.



**3** Very carefully secure the SmartBack to the tablet, applying light force to the Hex Key to tighten the 4 corner screws.



**4** Adjust hand strap to desired tightness.



**!** If you have access to a torque screw-driver, Aava recommends setting the driver to 1.23 inch-pounds of torque, or 14 newton centimeters.