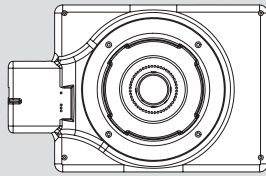
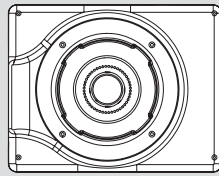




NOTES BEFORE INSTALLING: Do not overtighten screws. Using excessive force when tightening screws can damage the threads on devices and damage product.



SmartBack with Accessory Dock 185-00513



SmartBack without Accessory Dock 185-00224

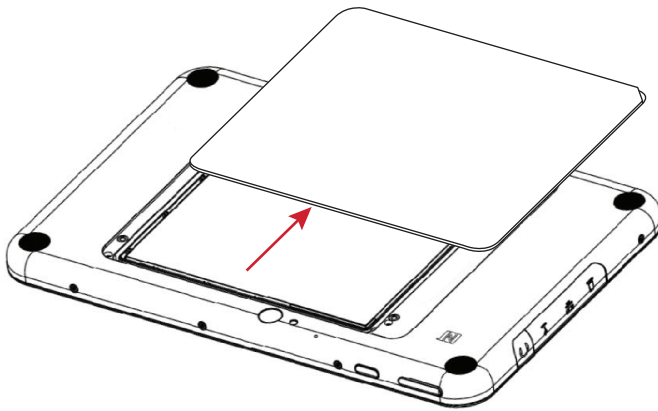


Hex Screws

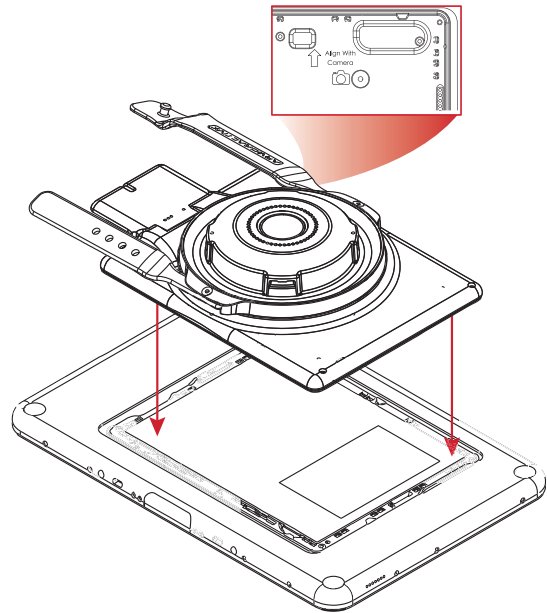


Hex Key

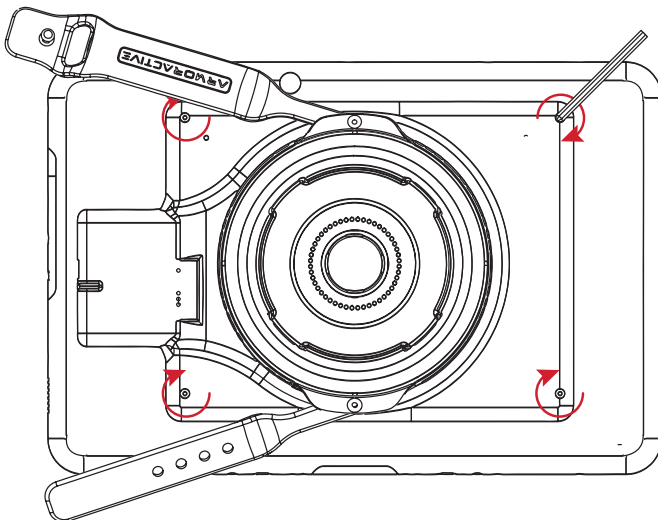
1 Lift the existing battery cover by pulling the notch on the lower left corner and completely remove it.



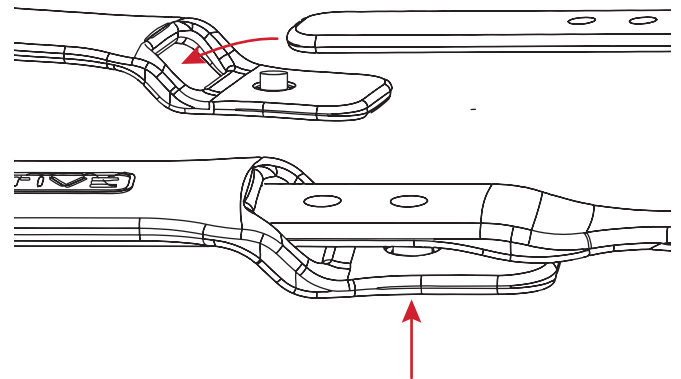
2 Place the RapidDoc SmartBack into the battery opening. Make sure that the arrow on the inside of the SmartBack points to the Tablet Camera.



3 Very carefully secure the SmartBack to the tablet, applying light force to the Hex Key to tighten the 4 corner screws.



4 Adjust hand strap to desired tightness.



! If you have access to a torque screw-driver, Aava recommends setting the driver to 1.23 inch-pounds of torque, or 14 newton centimeters.