

Spiral Anti-Sweep Hook with PowerBar™ Adapter

Installation Instructions

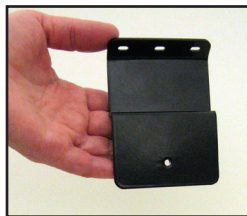
HARDWARE:

Tool Needed: Phillips Screwdriver

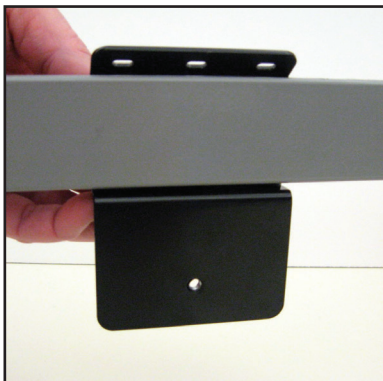


INSTALL

1

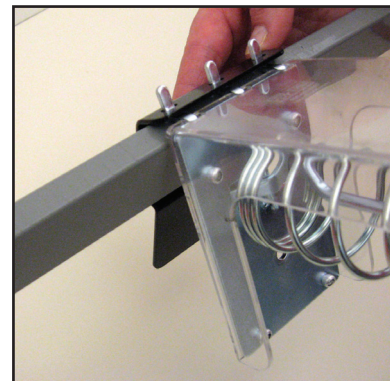


Place PowerBar™ Adapter behind the bar as shown.



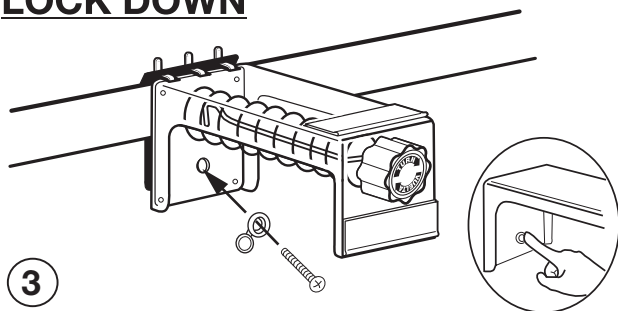
2

Insert hooks into PowerBar™ Adapter holes and follow your plan-o-gram layout.



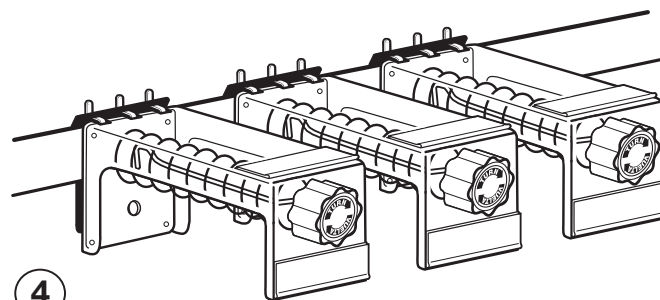
LOCK DOWN

3



Thread the Screw Cover and Phillips Screw into the PowerBar™ Adapter and tighten with a Phillips Screwdriver. Close Screw Cover Cap when finished.

4




Allow enough space between the displays so that product does not touch the surface below or obstruct other merchandise.

LOADING MERCHANDISE

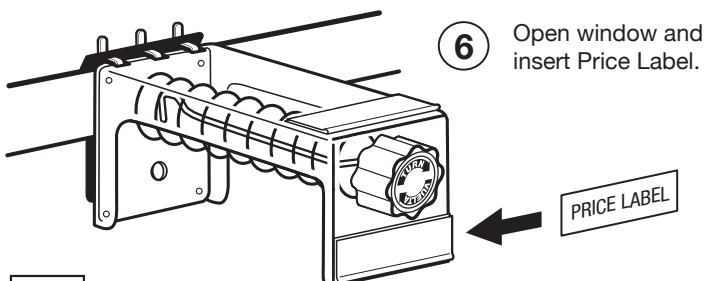
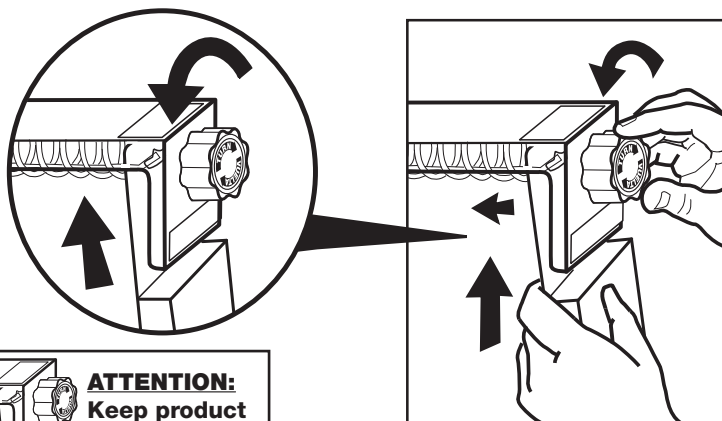
5

Insert the merchandise by following the ramp upwards until product stops, then turn the knob counter clockwise until product catches hook.

Thin packages:
 **ONE COMPLETE ROTATION** provides the position for loading the next package.

Thick packages:
 **TWO COMPLETE ROTATIONS** are required.
 Repeat Step 5 and 6 for loading the rest of the merchandise.

WARNING: Do not overturn coil. Product will go all the way off the rear of the coil and become inaccessible.



DISPENSING MERCHANDISE

