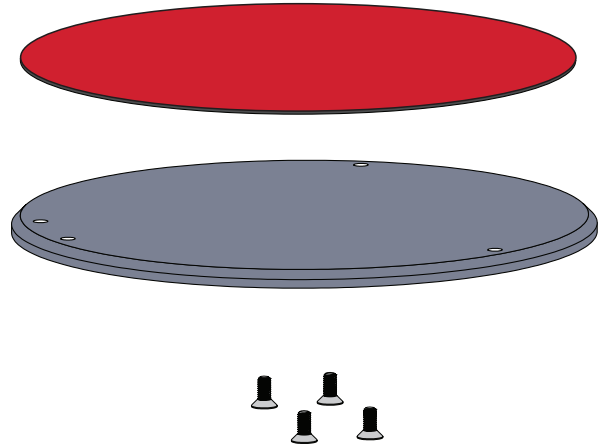
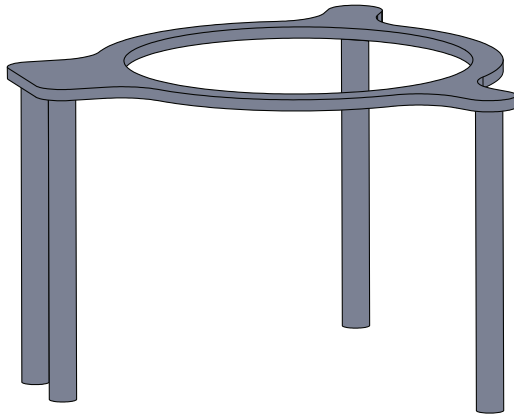


## Kit Contents

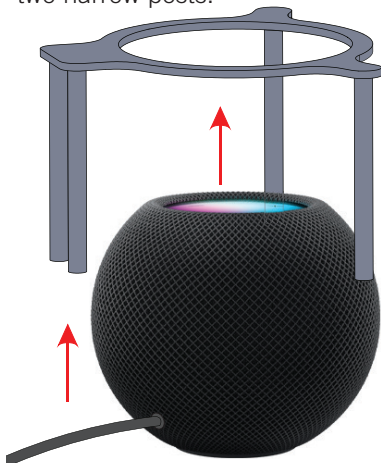


## Required Tools

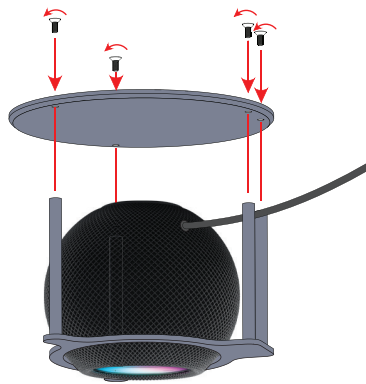
MTI Retail Tool - 003-00086



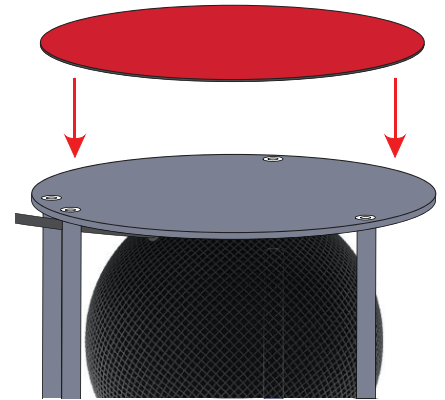
- 1** Insert HomePod Mini into cage. Power cord should run between the two narrow posts.



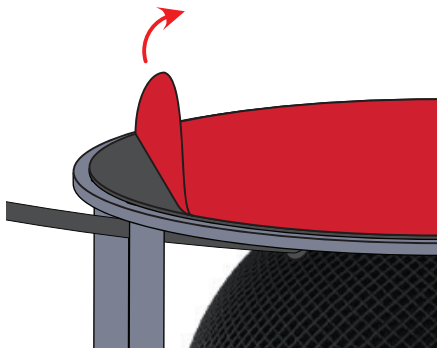
- 2** Attach bottom plate with four screws. Holding the assembly upside down aids in starting the screws easier. Insert all four screws loosely, and then tighten up all together.



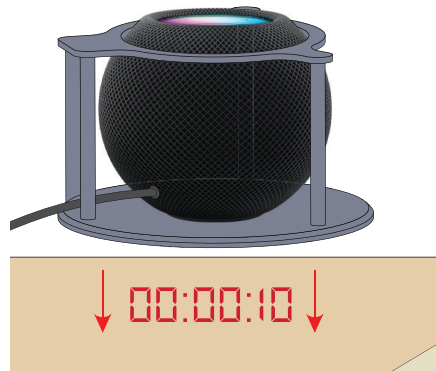
- 3** Apply VHB pad to bottom of security. Center pad on bottom plate. VHB pad will cover screws.



- 4** Peel red liner from VHB.



- 5** Place to fixture surface. Apply pressure for 10 seconds.



- 6** Plug HomePod Mini power cable into OEM power supply.

