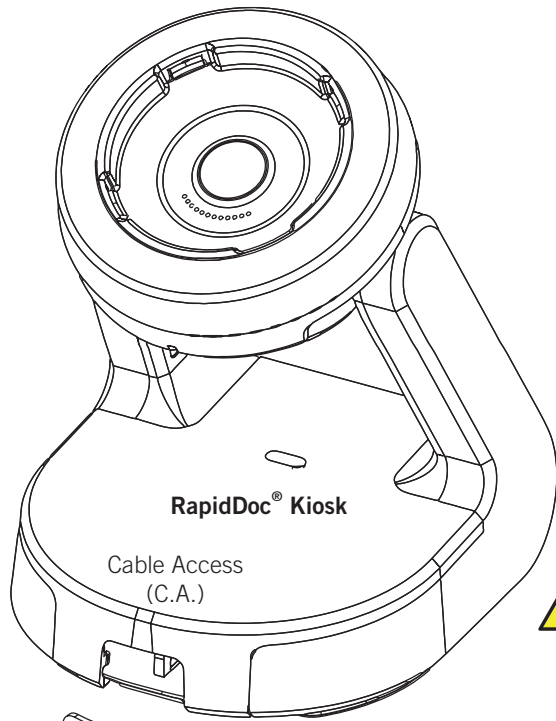
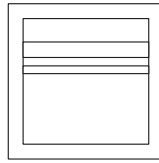


Materials in Box



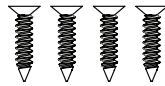
Alcohol Wipes (10)



Red Handle Tool



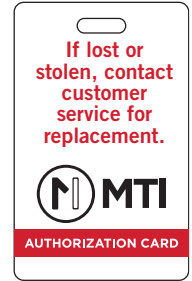
Mounting Screws (4)



Access Card (5)



Authorization Card



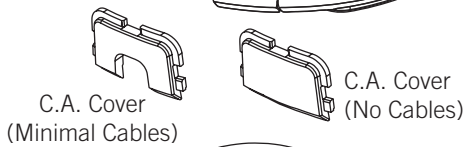
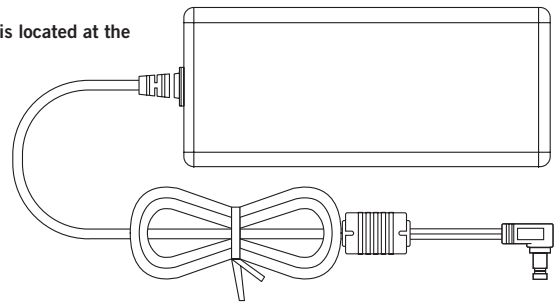
Security Screws (2)



If the Kiosk is not mounted to a counter or table it may fall, causing damage to the Kiosk or a person. USB cables may be disconnected as it moves around a surface. See page 9 for mounting instructions.

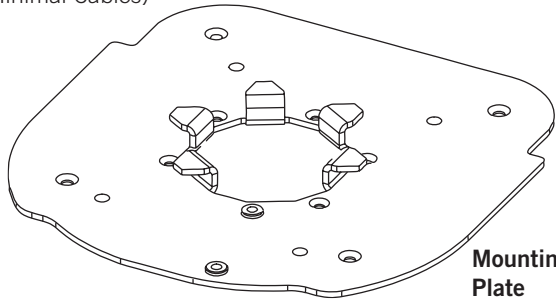
185-00461
Power Supply

The applied nameplate is located at the bottom of the product.



C.A. Cover
(Minimal Cables)

C.A. Cover
(No Cables)



Mounting
Plate

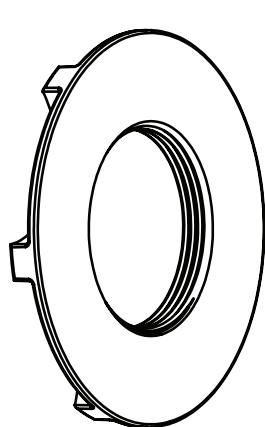


Use only power supply with output ratings 5.6VDC max., 4A max., of PS2 or LPS

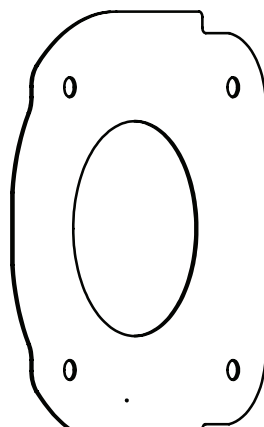


The socket-outlet (power adaptor) shall be installed near the EQUIPMENT and shall be easily accessible.

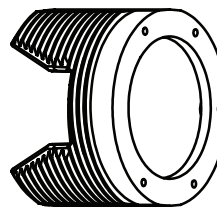
185-00528 Through-Hole Mounting Accessory (Sold Separately)



Nut



Adhesive Pad



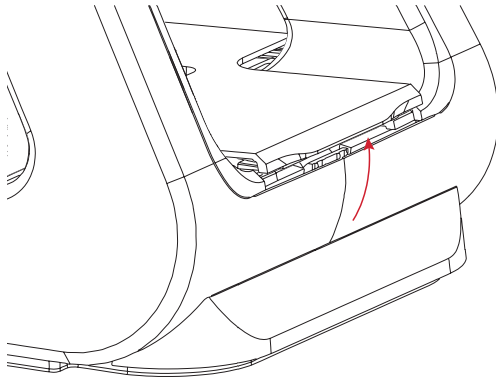
Threaded Pipe



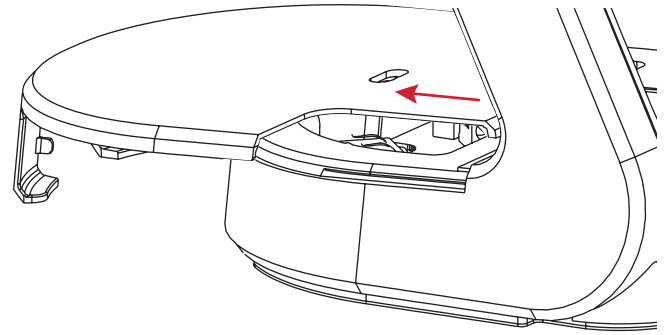
Screws (5)

REMOVING THE LID

1 Lift up the front of the lid (above the ArmorActive logo).

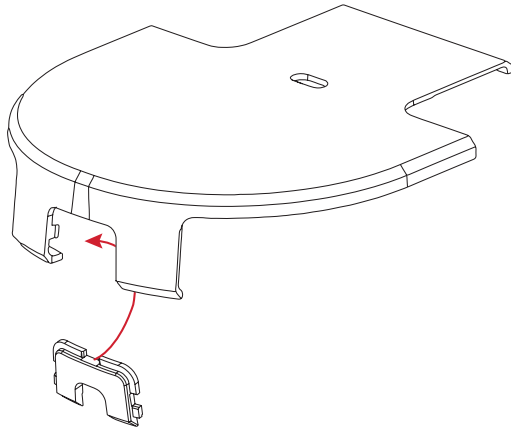


2 Slide the lid back, using care when removing the lid as not to damage the RFID cable.

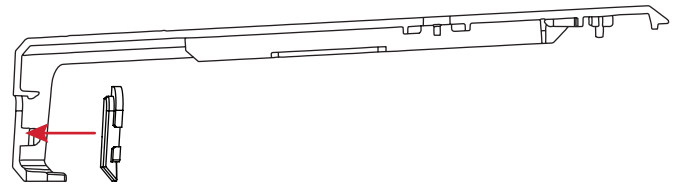


CABLE ACCESS COVER INSTALLATION

1 With the lid off of the kiosk base, place the Cable Access Cover into the opening from the inside.



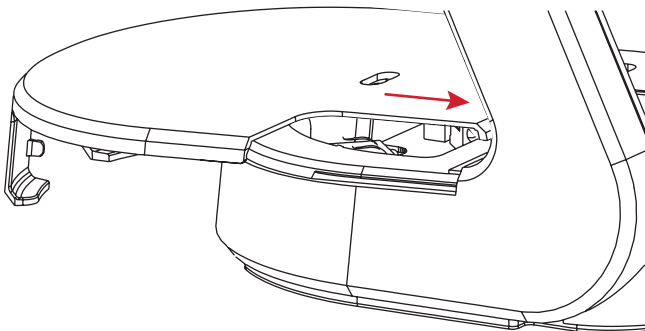
2 Press until it clicks into place.



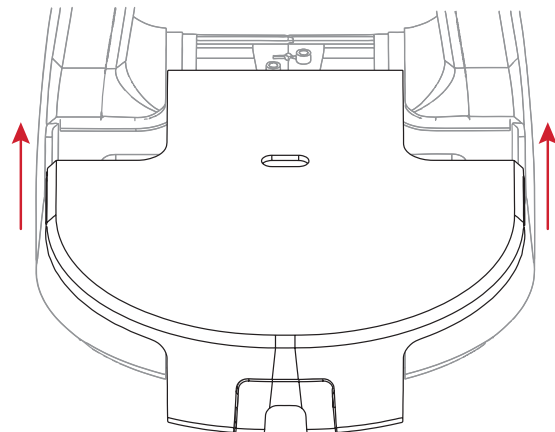
 **Cut-away side view**

REPLACING THE LID

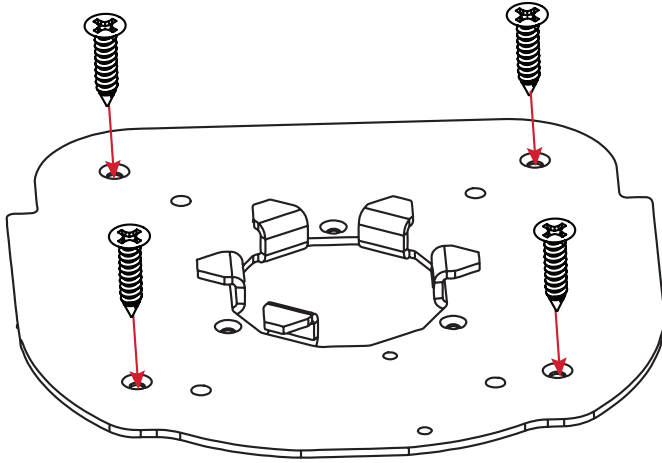
1 Tuck the RFID cable into the void in the base and place the lid on the kiosk base.



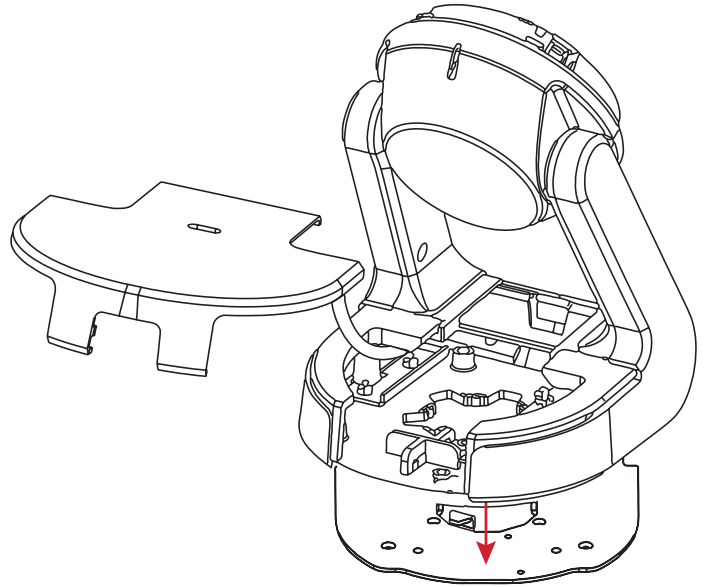
2 Slide the lid into place and press down on the lid.



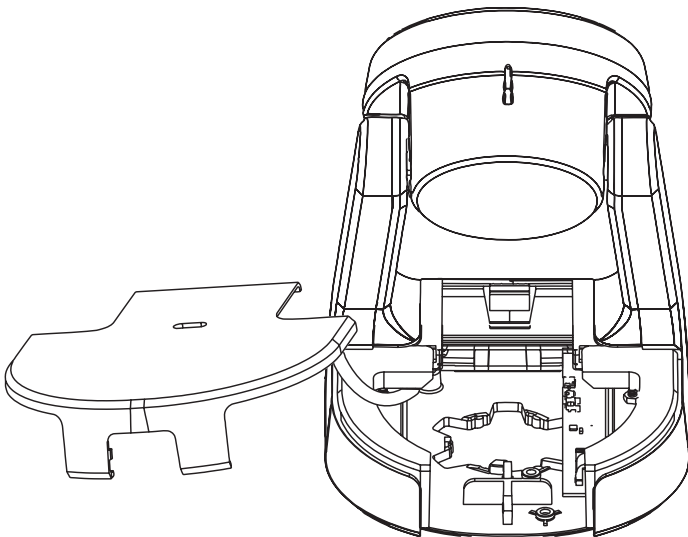
- 1** Using the mounting screws, place the mounting plate in the desired location. See Page 9 for a Mounting Plate drill template.



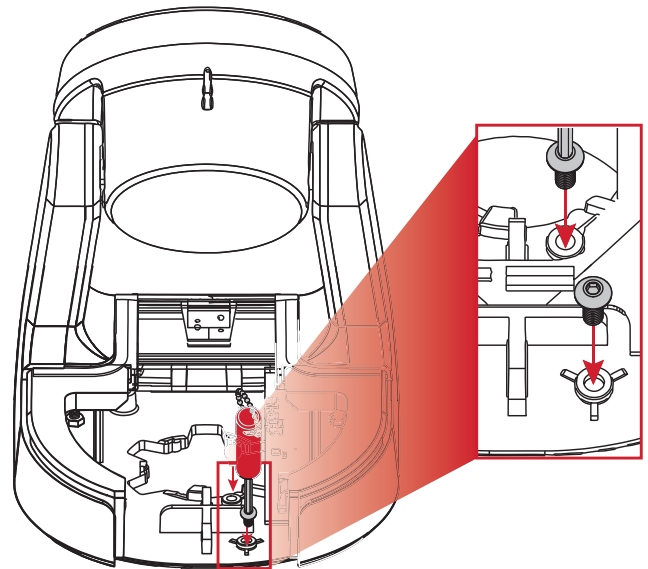
- 2** Place the kiosk by lining up the opening on the bottom of the kiosk with the teeth on the mounting plate.



- 3** Lock the kiosk into place by rotating it counter clockwise on the plate.

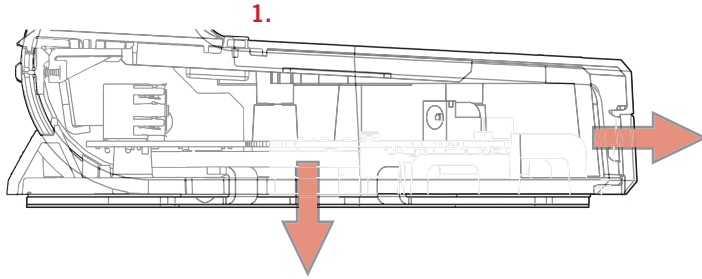


- 4** Secure the kiosk to the mounting plate using the two security screws and the Red Handle Tool.

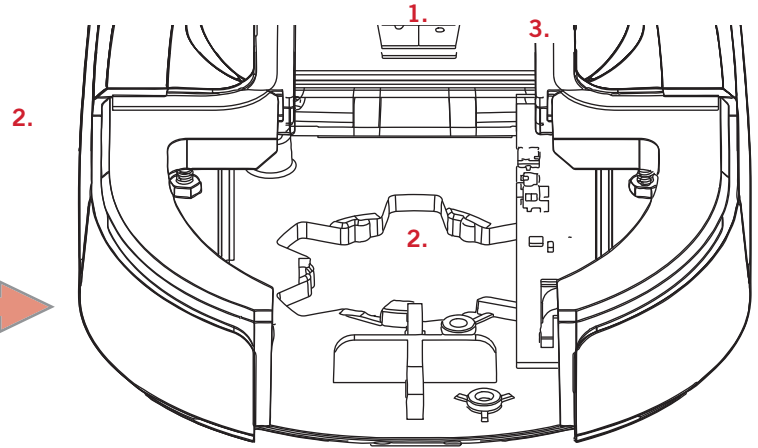


1

1. Through Hole Cable Routing
2. Table Top Cable Routing
3. Power



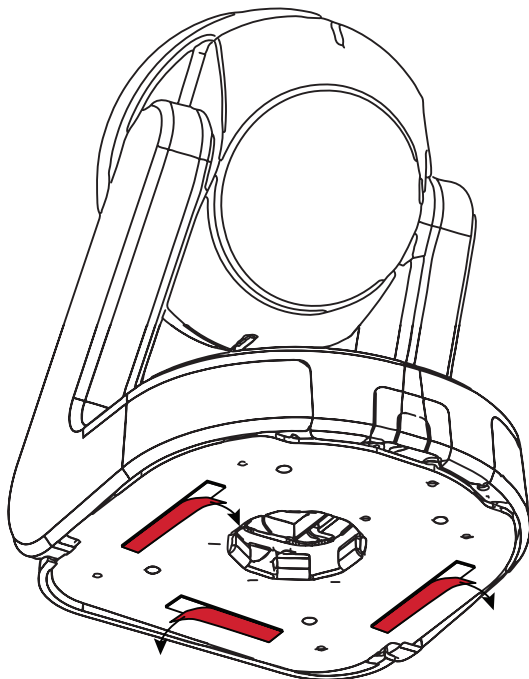
2



VHB MOUNTING

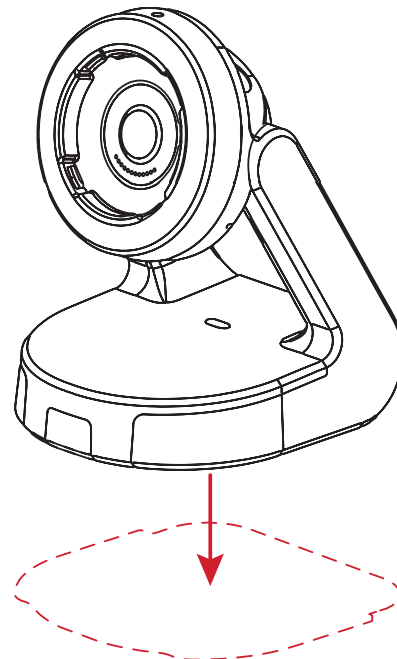
1

Clean the surface you are mounting on with the Alcohol wipes included in the box. Peel the film on the VHB on the bottom of the kiosk.

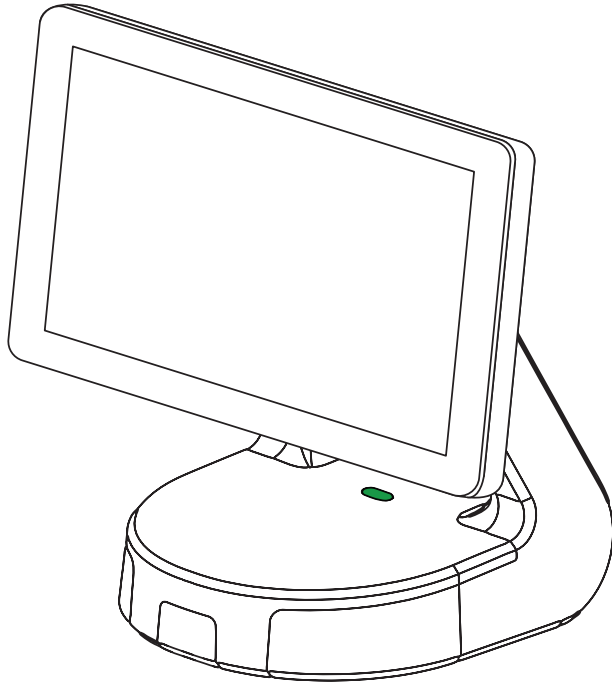


2

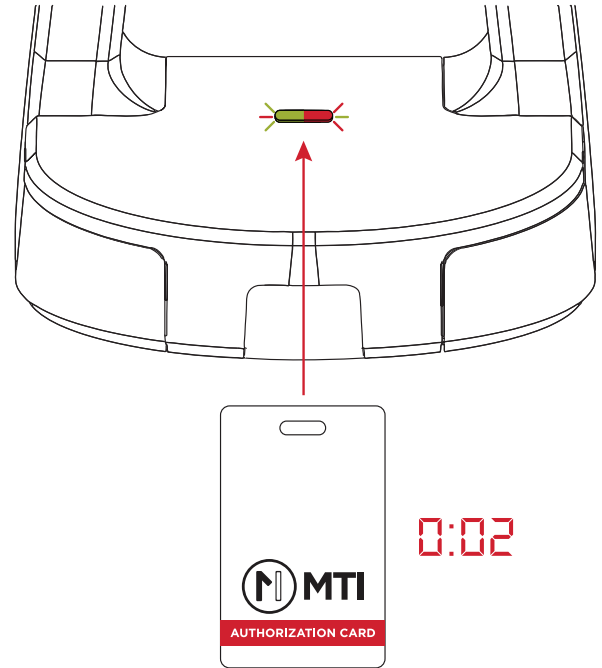
Place in desired location and firmly press down for full adhesive contact. Allow 24 hours for full VHB adhesion.



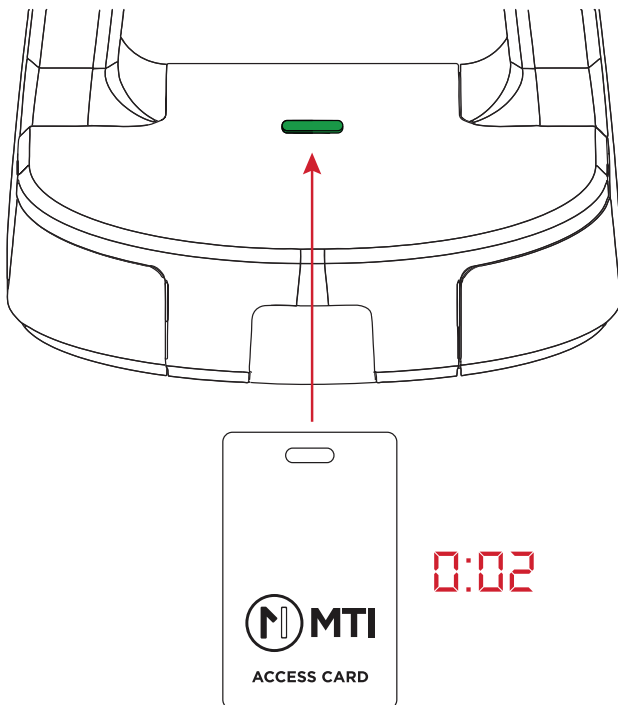
- 1** Make sure the RapidDoc® RFID Module is powered and ready.



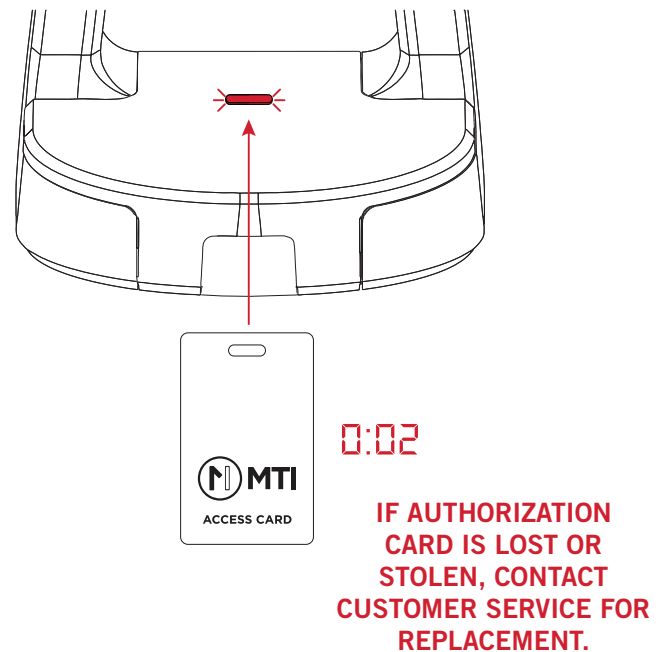
- 2** Place the RFID Authorization Card on the RFID Module until the LED flashes.



- 3** Place a RFID Access card on the RFID Module until LED flashing stops and returns to solid green.

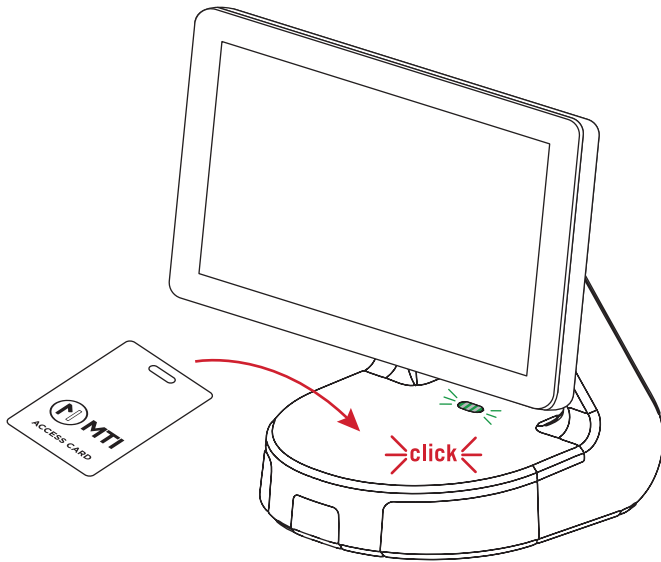


- 4** If no Access Card is detected, the Base will return to normal condition waiting for registered Access Card to unlock the Base. The Base can register a maximum of 20 Access cards. The process will need to be repeated for each card. If a 21st card is registered, the first registered card will be deregistered.

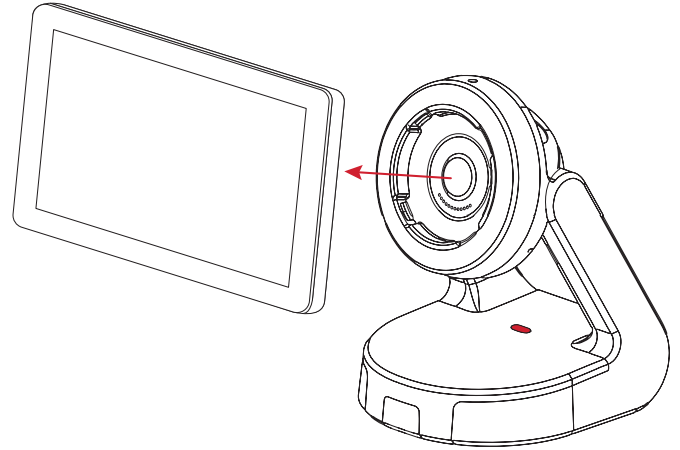


REMOVING THE ENCLOSURE (OR TABLET) VIA RFID

- 1** Place the RFID Access Card until the base clicks. **NOTE:** Do not grab the tablet until after you hear the click.

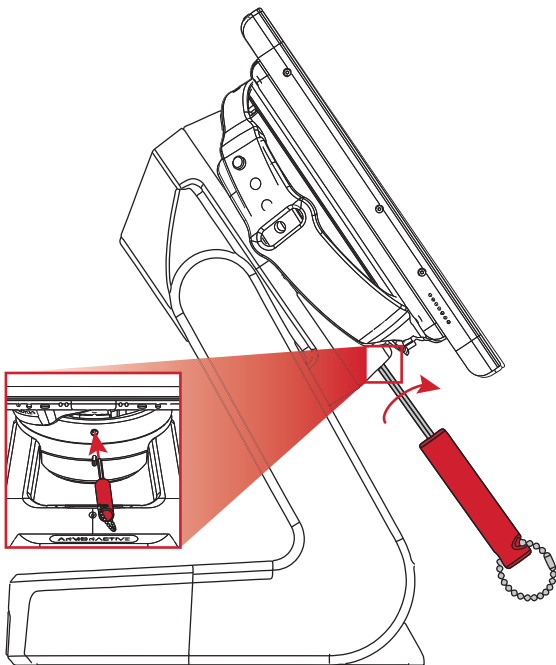


- 2** Remove the tablet using one hand on the bottom left or right hand corner.

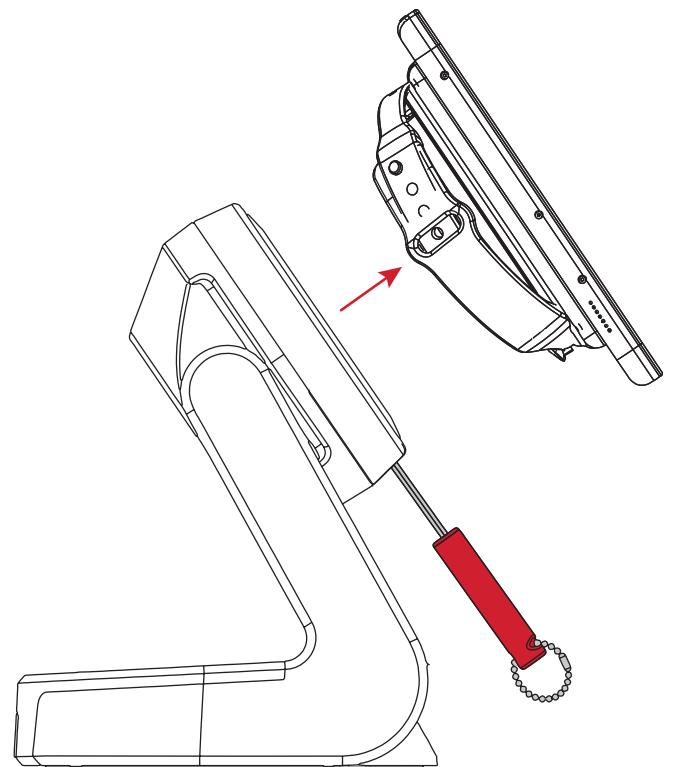




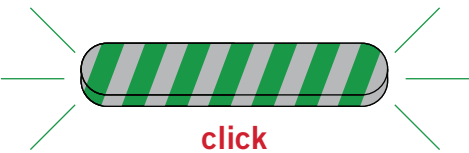
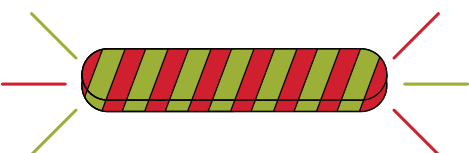


REMOVING THE ENCLOSURE (OR TABLET) MANUALLY

- 1** Insert the Red Handle Tool into the security screw hole at the side of the RapidDoc® base-disk under the tablet. Turn the Red Handle Tool clockwise until resistance is felt (about halfway) and hold. **NOTE: Do not grab the tablet until after you twist the Red Handle Tool.**



- 2** While holding the Red Handle Tool, remove the tablet using one hand on the bottom left or right hand corner.



Visual Reference	System Status	Condition
	Solid Green LED	Tablet docked
	Solid Red LED	Tablet removed
 <p>click</p>	Flashing Green with audible click	Tablet ready for removal
	Flashing Yellow-Green and Red	Ready to register an Access card
	Flashing Red	<p>Multiple undock attempts</p> <p>If an Access Card is swiped more the 10 times within 2 minutes, the LED will flash Red and not allow undock attempts for 2 minutes.</p>
 <p>click-click x10</p>	Remains Red with multiples clicks	<p>12V Tablet Error</p> <p>RapicDoc Lite only supports 5V Tablets (e.g. Apple and Android). If you place a 12V Tablet on a Lite base, the LED will not turn green, and the base will emit 10 sets of 2 clicks. Remove the tablet between the pairs of clicks. If not removed, the Tablet will be locked for 2 minutes.</p>

1 The base can register a maximum of 20 Access cards.

Example:

ACCESS005
ACCESS004
ACCESS003
ACCESS002
ACCESS001

NOTE: The above grid is a conceptual visual representation of the Electronic Register.

2 If a 21st card is registered, the first registered card will be deregistered.

Example:

ACCESS006
ACCESS005
ACCESS004
ACCESS003
ACCESS002

3 If a card is **lost or stolen**:

Example:

ACCESS005
ACCESS004
ACCESS003
ACCESS002
ACCESS001

4 Take any of the remaining access cards and register it 20 consecutive times:

Example:

ACCESS001
ACCESS001
ACCESS001
ACCESS001
ACCESS001

5 Then re-register the remaining cards plus the new one ordered through Customer Service. Example:

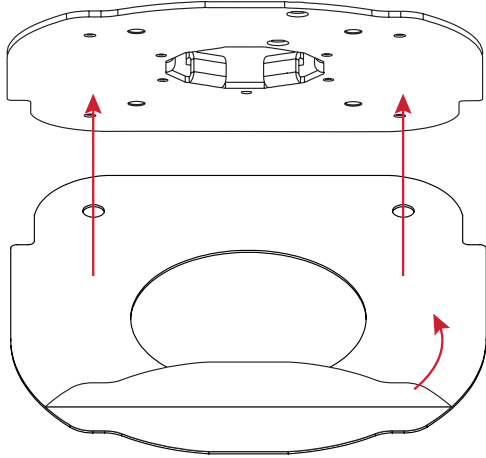
Example:

ACCESS006
ACCESS005
ACCESS004
ACCESS002
ACCESS001

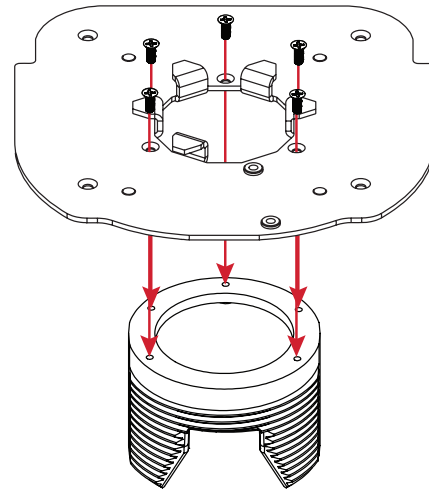
6

**IF AUTHORIZATION CARD IS LOST OR STOLEN,
CONTACT CUSTOMER SERVICE FOR REPLACEMENT.**

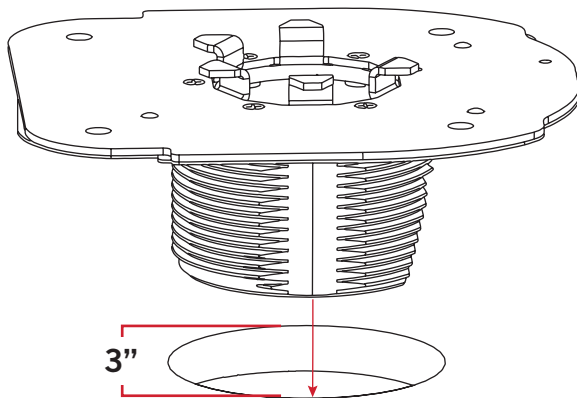
- 1** **NOTE: The Through-Hole Mounting Accessory is sold separately.** Peel the film on the included adhesive pad and adhere it to the underside of the mounting plate.



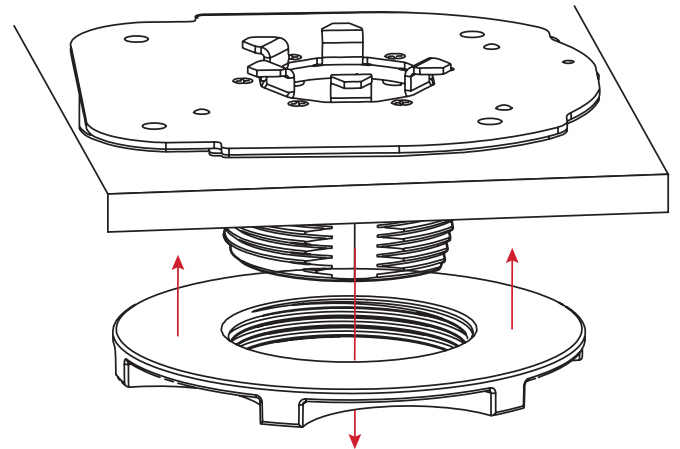
- 2** Attach the threaded pipe to the mounting plate with the 5 included screws.



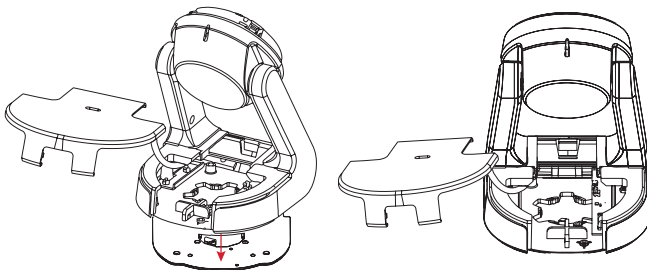
- 3** Place the assembly into a pre-drilled hole 3" wide.



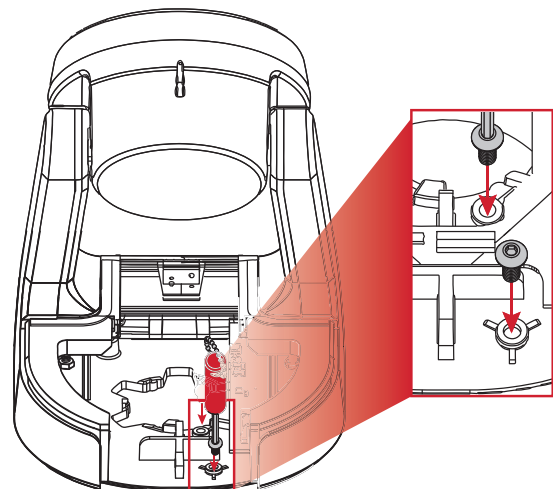
- 4** Secure into place by twisting the nut over the threaded pipe.



- 5** Place the kiosk by lining up the opening on the bottom of the kiosk with the teeth on the mounting plate. Lock the kiosk into place by rotating it counter clockwise on the plate.



- 6** Secure the kiosk to the mounting plate using the two security screws and the Red Handle Tool.



Federal Communication Commission interference statement

This equipment has been tested and found to comply with the limits for a Class B digital device, pursuant to part 15 of the FCC rules. These limits are designed to provide reasonable protection against harmful interference in a residential installation. This equipment generates, uses and can radiate radio frequency energy and, if not installed and used in accordance with the instructions, may cause harmful interference to radio communications. However, there is no guarantee that interference will not occur in a particular installation. If this equipment does cause harmful interference to radio or television reception, which can be determined by turning the equipment off and on, the user is encouraged to try to correct the interference by one or more of the following measures: -Reorient or relocate the receiving antenna. -Increase the separation between the equipment and receiver. -Connect the equipment into an outlet on a circuit different from that to which the receiver is connected. -Consult the dealer or an experienced radio/TV technician for help.

FCC Caution

This device complies with Part 15 of the FCC Rules. Operation is subject to the following two conditions:

1. this device may not cause harmful interference and
2. this device must accept any interference received, including interference that may cause undesired operation

RF Exposure Warning

The equipment complies with RF exposure limits set forth for an uncontrolled environment. The antenna(s) used for this transmitter must not be co-located or operating in conjunction with any other antenna or transmitter.

You are cautioned that changes or modifications not expressly approved by the party responsible for compliance could void your authority to operate the equipment.

Print this document at 100% (or 'Actual Size') to assist in placing the RapidDoc® Mounting Plate.

