


Radius Floor Stand

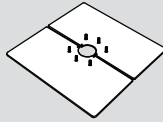
 **NOTES BEFORE INSTALLING:** Do not to overtighten screws. Using excessive force when tightening screws can damage the threads on devices and products and damage product.



Front Plate



Back Plate



Base Plate



Base Mount Nuts (6)

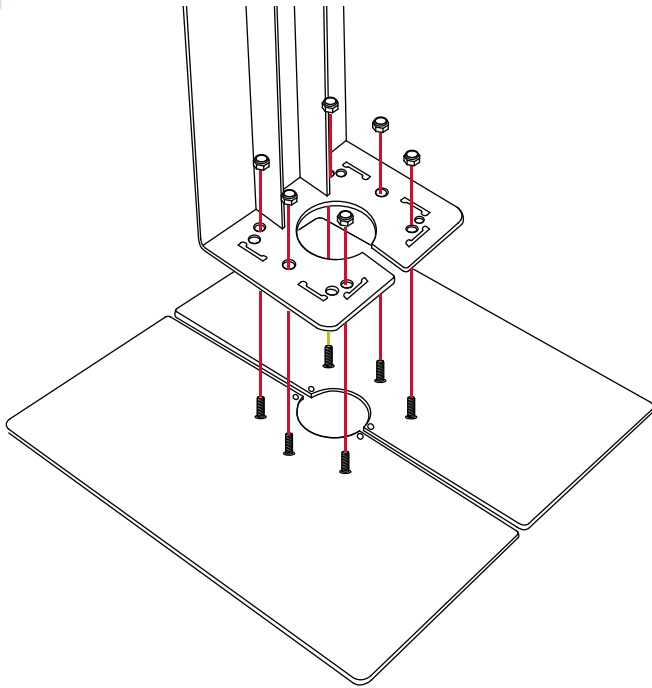


Backplate Mounting Hardware (4)

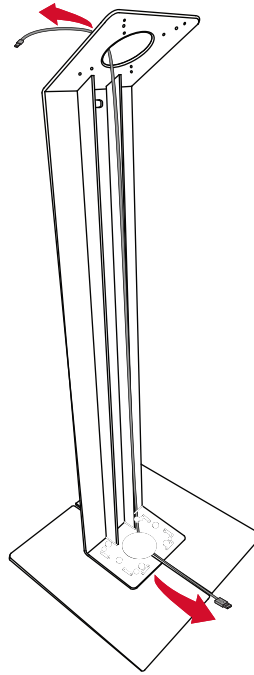


Enclosure Mounting Hardware (4)

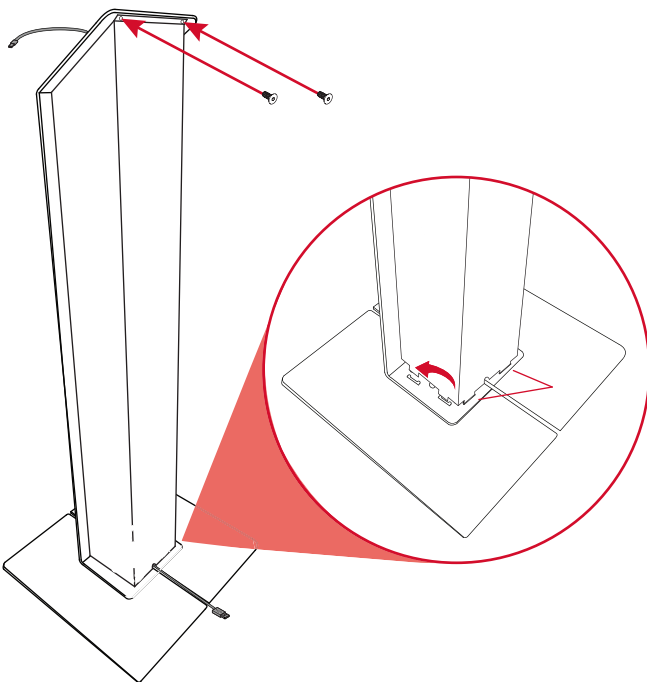
1



2



3



4

