



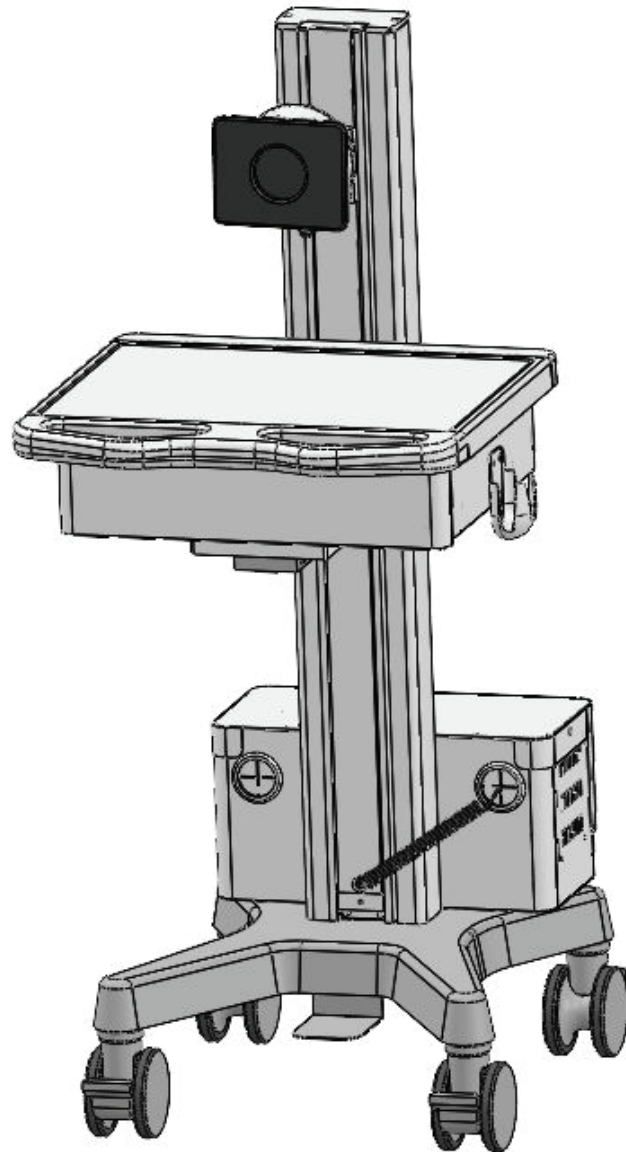
# Mobility Cart Installation Guide



1 Hour



1 person required

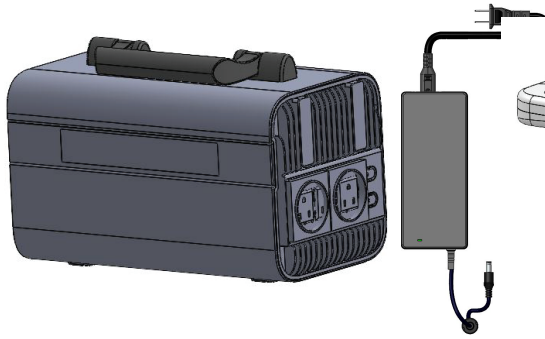


[Link to Unboxing Video](#)

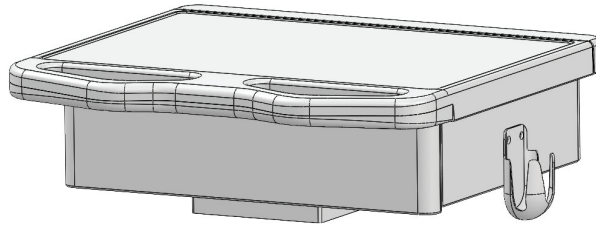
[Warranty](#)

[Link to Installation Video](#)

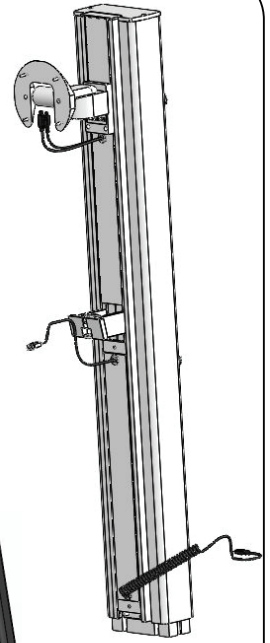
Fixture



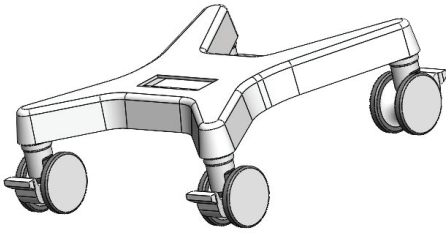
BATTERY/POWER SUPPLY



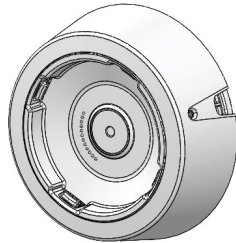
TRAY



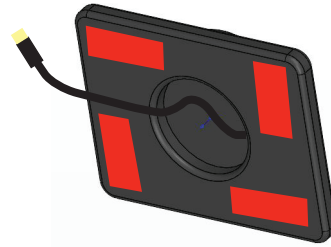
SPLINE



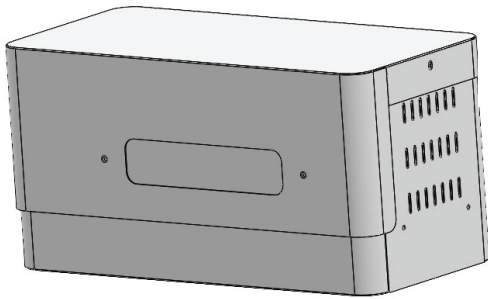
BASE



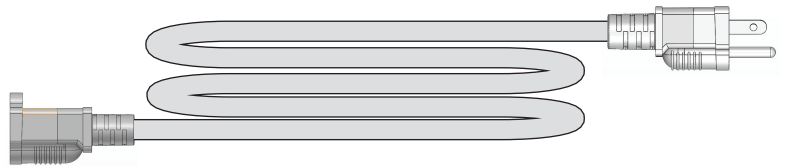
RAPIDDOC



EZ BACK

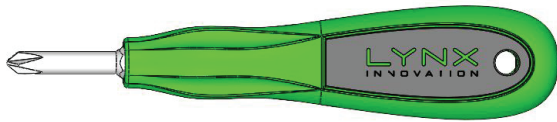


BATTERY CASE

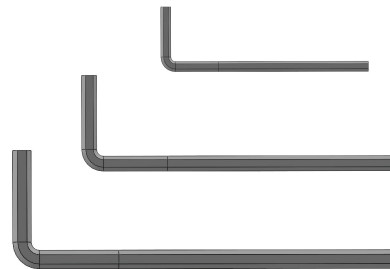


POWER CABLE EXTENSION

Tools

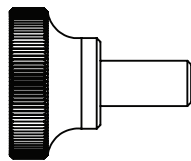
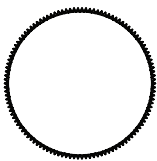


MTI | 800.426.6844

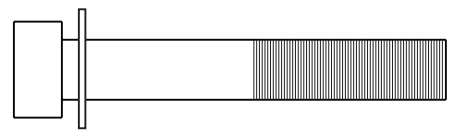
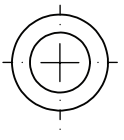


Hardware

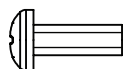
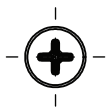
X2



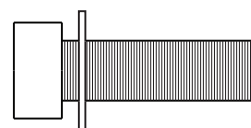
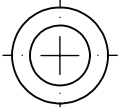
X4

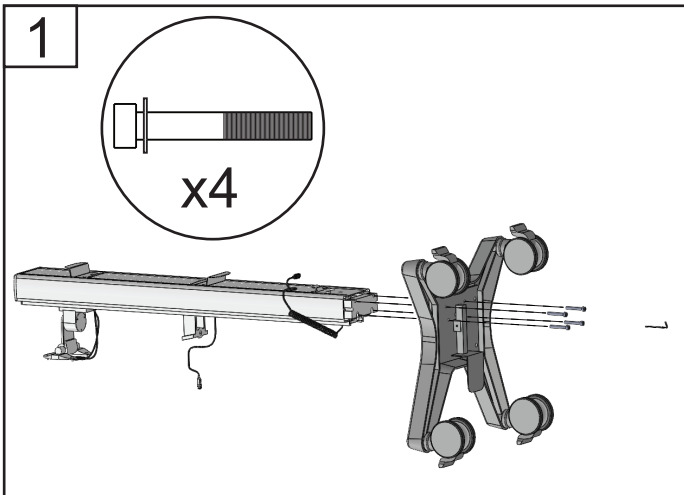


X4

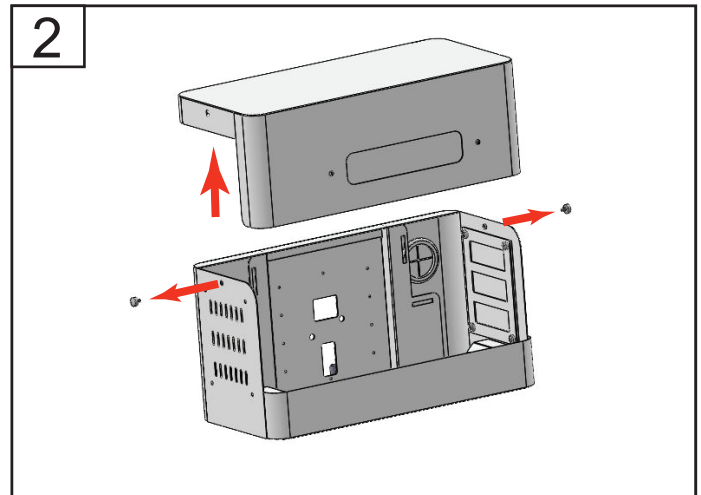


X1

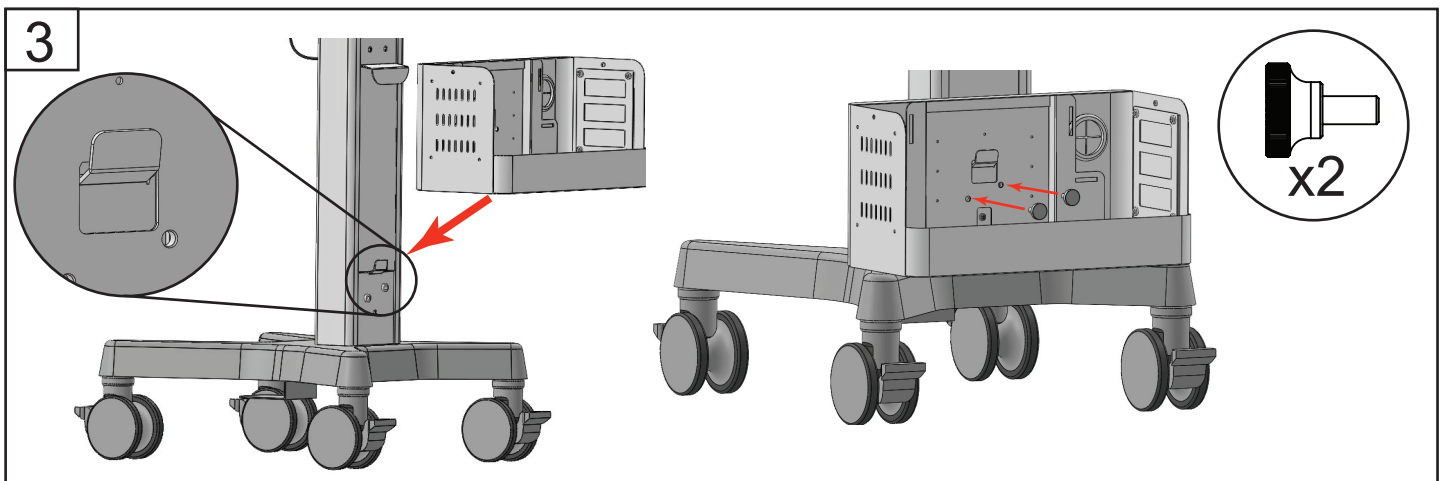




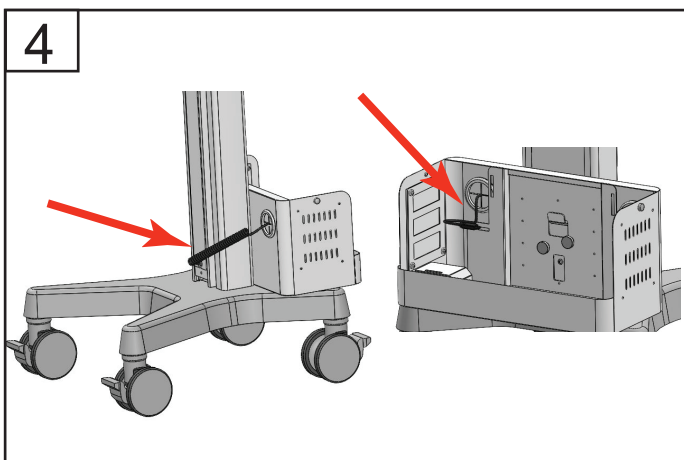
Install the **SPLINE** onto the **BASE** using the **SOCKET HEAD SCREWS** and the provided **ALLEN WRENCH** to secure in place.



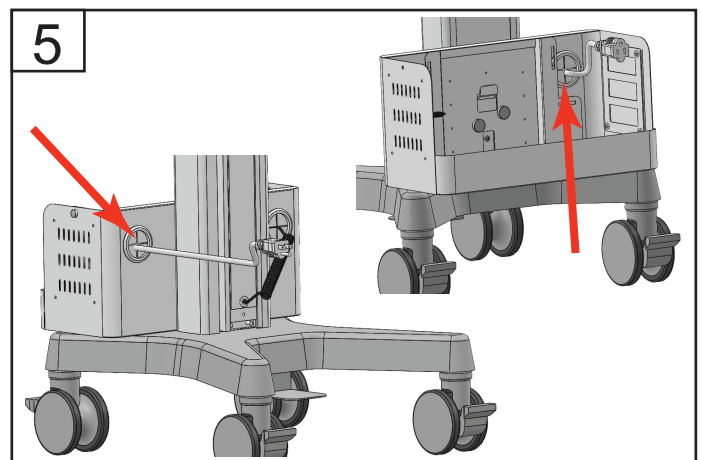
Remove the cover to the **BATTERY BOX** by loosening the side thumbscrews and lifting the cover off the box. Save screws and cover for re-installation.



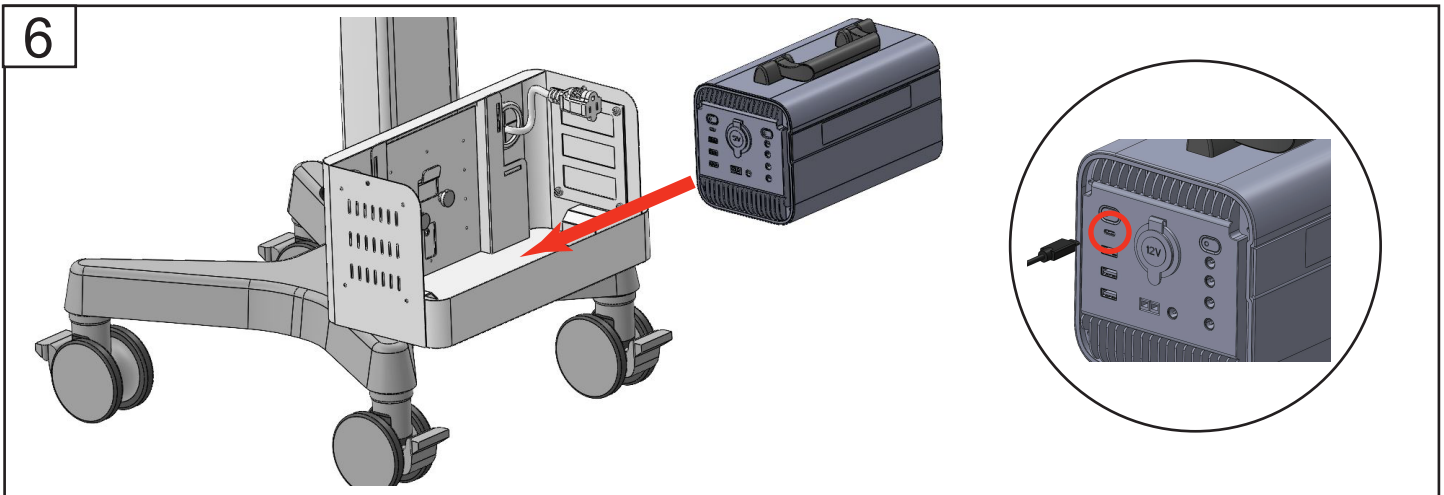
Install the box to the cart placing the box onto the hook. Secure the box to the cart with the provided **THUMB-SCREWS**.



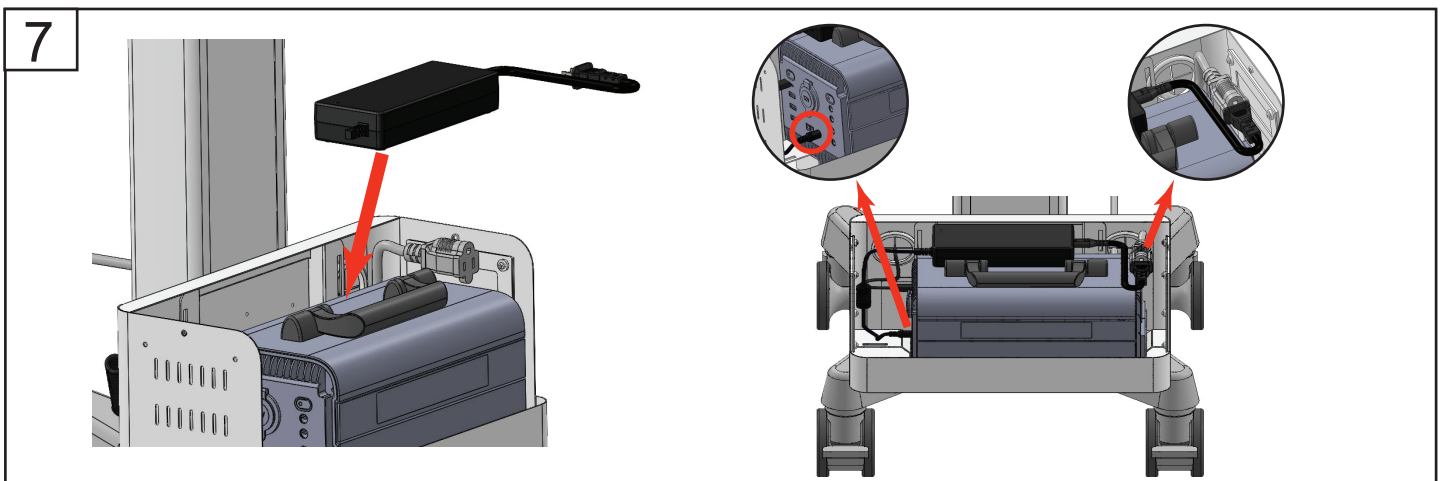
Push coiled cable from the bottom of the **SPLINE** into the grommet of the **BATTERY BOX**.



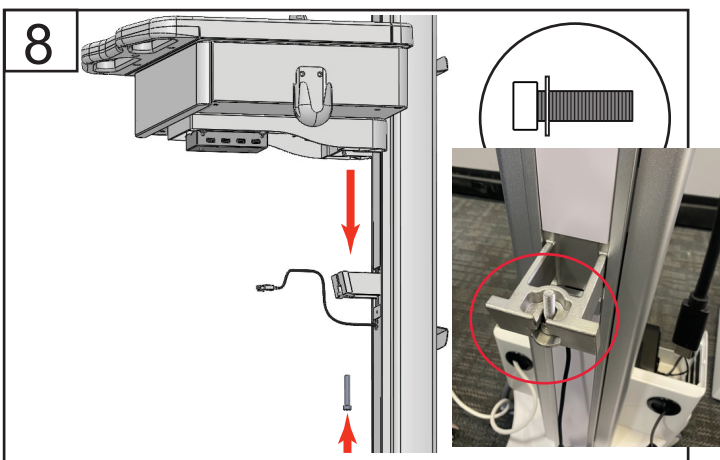
Install the **POWER CABLE EXTENSION** into the **BATTERY BOX** by pushing it through the other grommet.



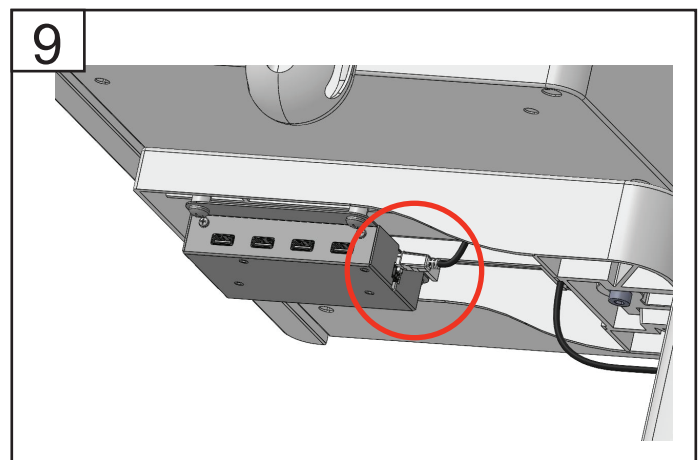
Place **BATTERY** into the **BATTERY CASE** plugging the USB C connector to the USB C connector output on the **BATTERY**. Then put on the **BATTERY BOX cover** and tighten the side thumbscrews.



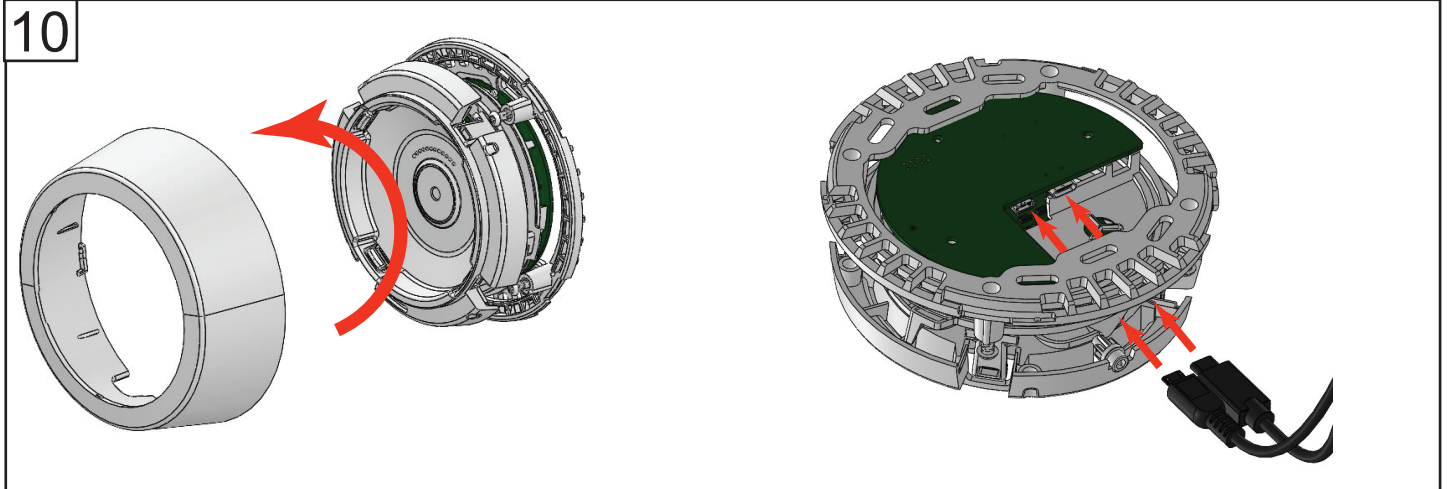
Install the **POWER SUPPLY** by placing it on top of the battery. Plug in the **POWER SUPPLY** into the **BATTERY** and into the **POWER CABLE EXTENSION**. Secure the handle to the ladder tie on top of the battery.



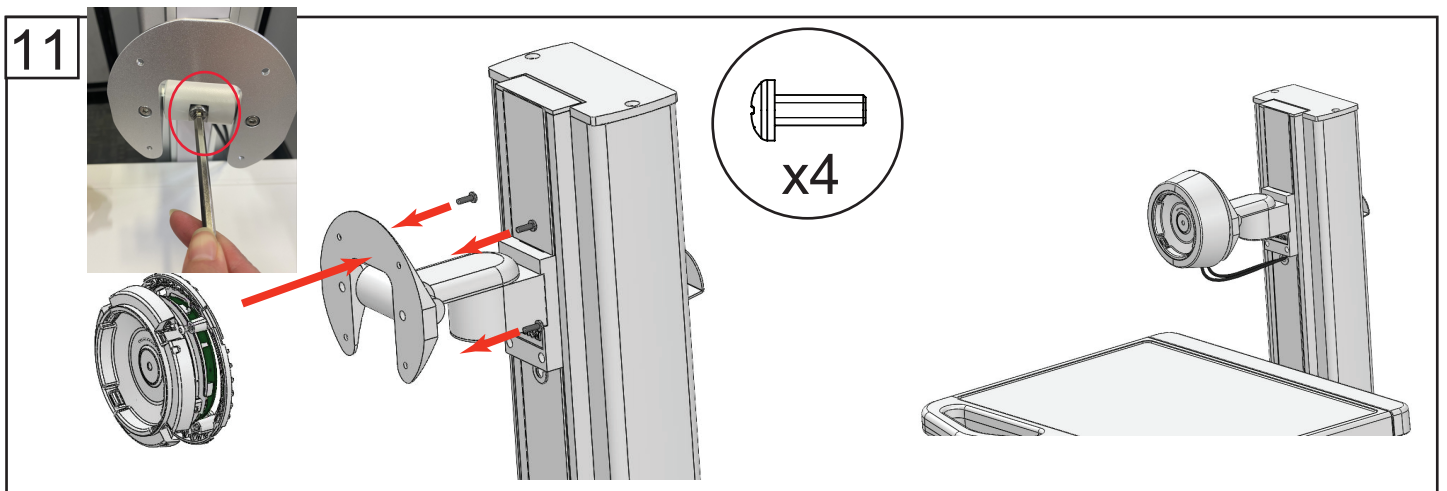
Place **TRAY** onto the bracket and secure with **SOCKET HEAD SCREW**. Insert the screw into the slot from the front, not from the bottom.



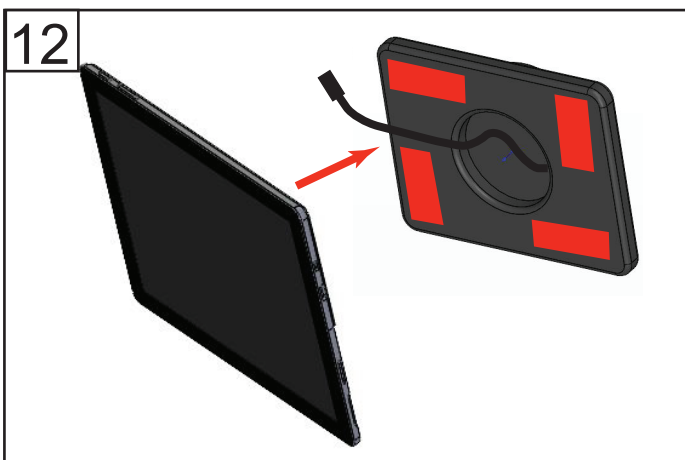
Plug in the cable to the USB hub.



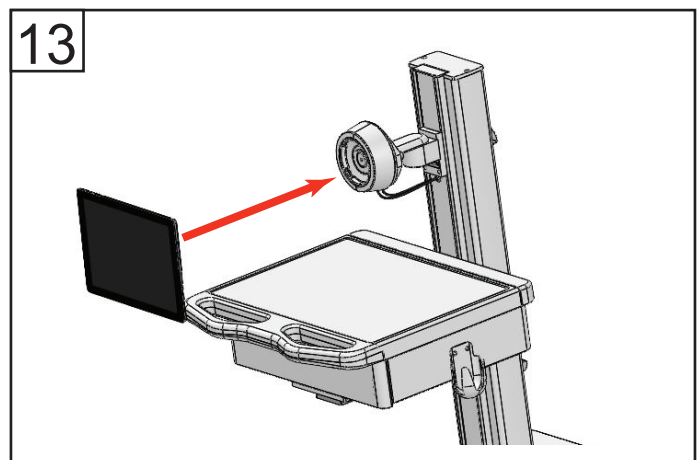
Remove the cover to the **RAPIDDOC** and set aside for re-installation. Plug in the 2 cables coming from the **SPLINE** to the **RAPIDDOC**,



Use an Allen wrench to remove the center screw on the RapidDoc mount; this allows tilt up of the tablet. Mount the **RAPIDDOC** to the mounting plate using the supplied **PAN HEAD SCREWS**. Put cover back on and snap in to secure.



Attach the tablet (not included) to the **EZ BACK** by peeling the protective film off the VHB and firmly pressing the tablet to the **EZ BACK**. Plug in the power cable to the tablet.



Lock the tablet to the **RAPIDDOC**.