



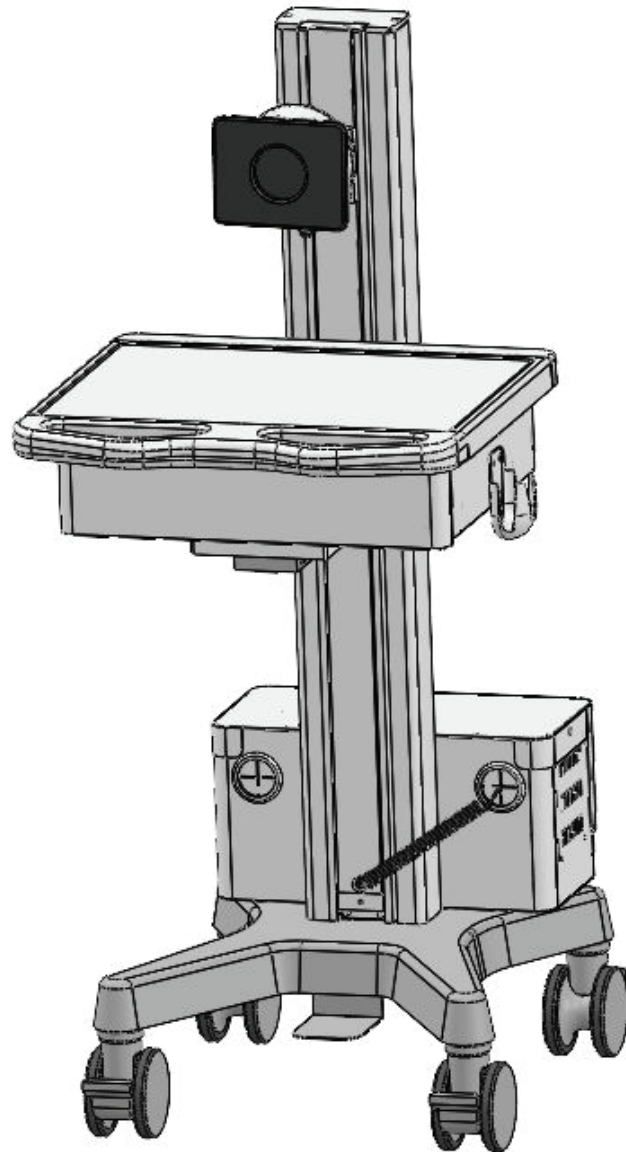
Mobility Cart Installation Guide



1 Hour



1 person required



[Link to Unboxing Video](#)

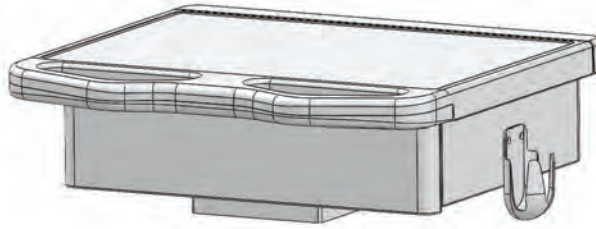
[Warranty](#)

[Link to Installation Video](#)

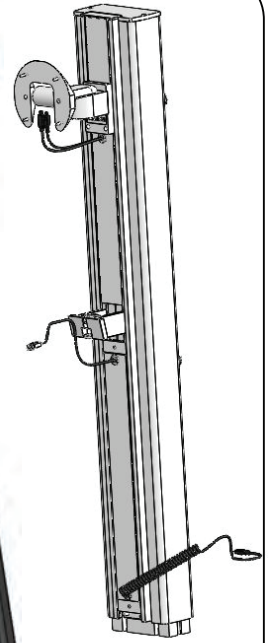
Fixture



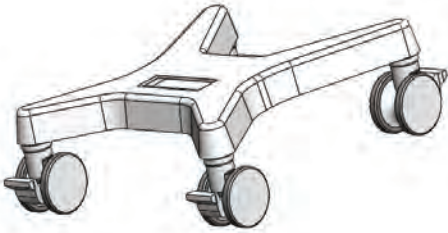
BATTERY/POWER SUPPLY



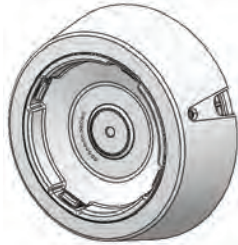
TRAY



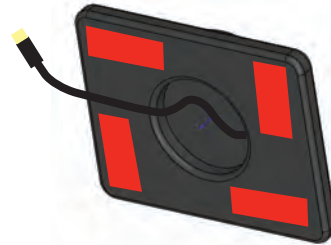
SPLINE



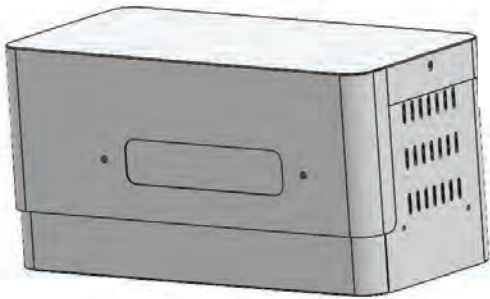
BASE



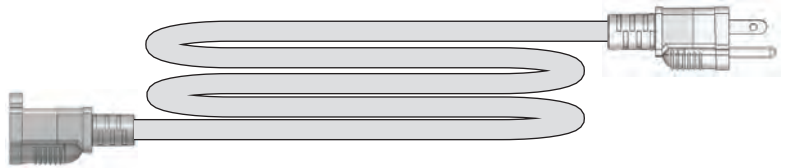
RAPIDDOC



EZ BACK

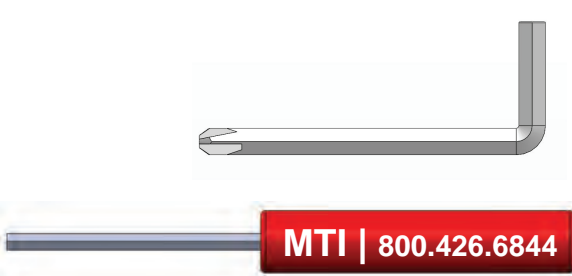


BATTERY CASE

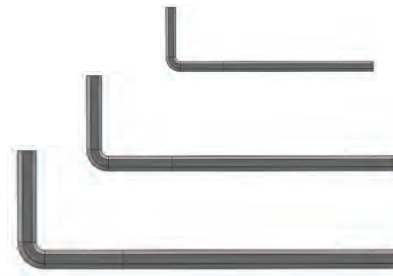


POWER CABLE EXTENSION

Tools

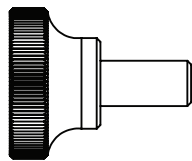
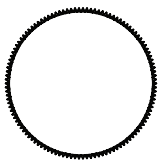


MTI | 800.426.6844

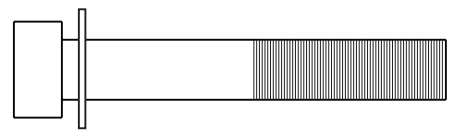
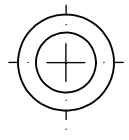


Hardware

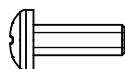
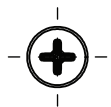
X2



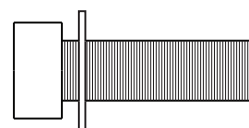
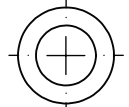
X4

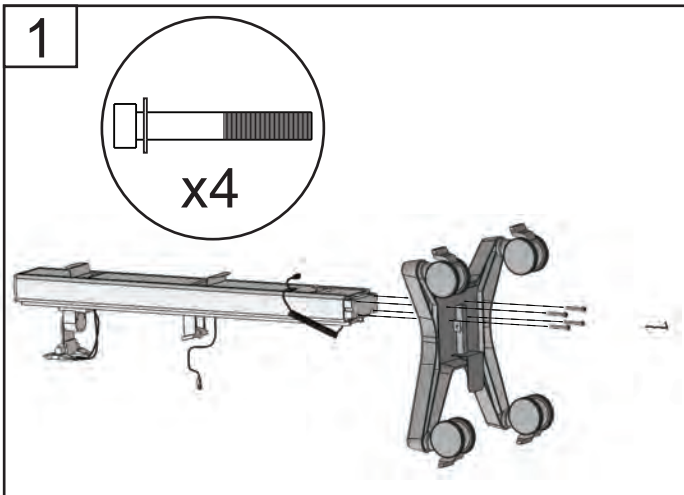


X4

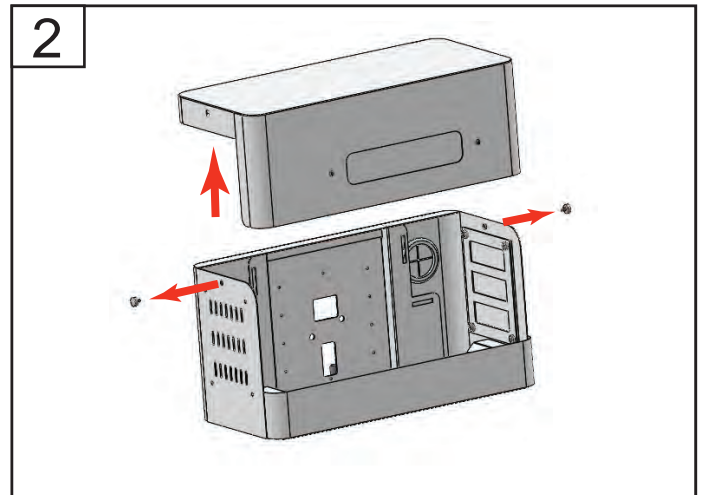


X1

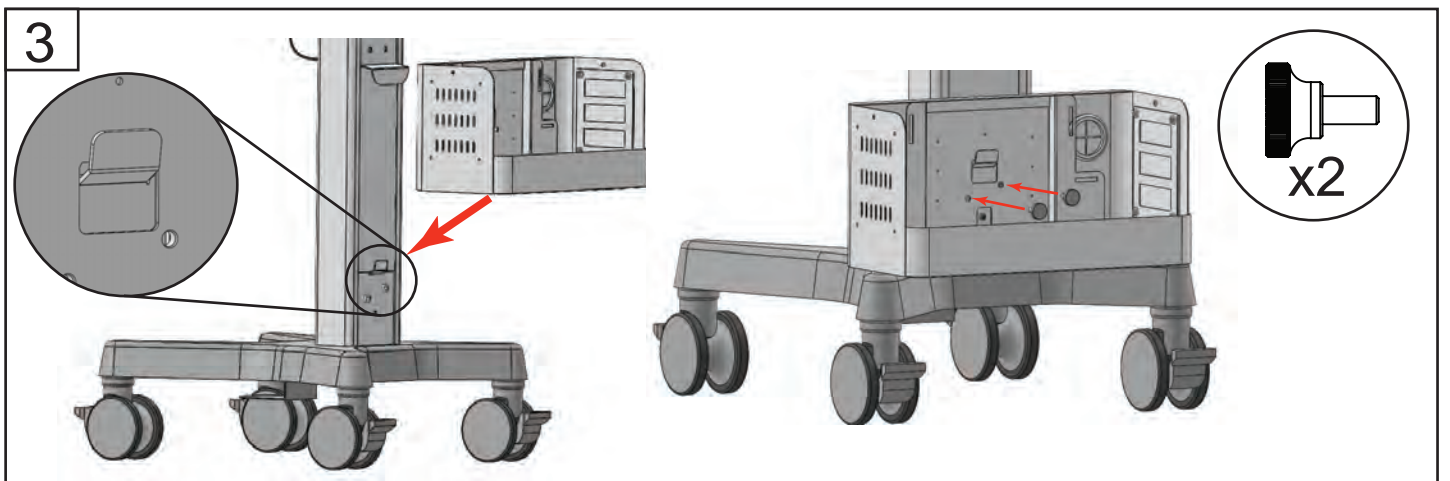




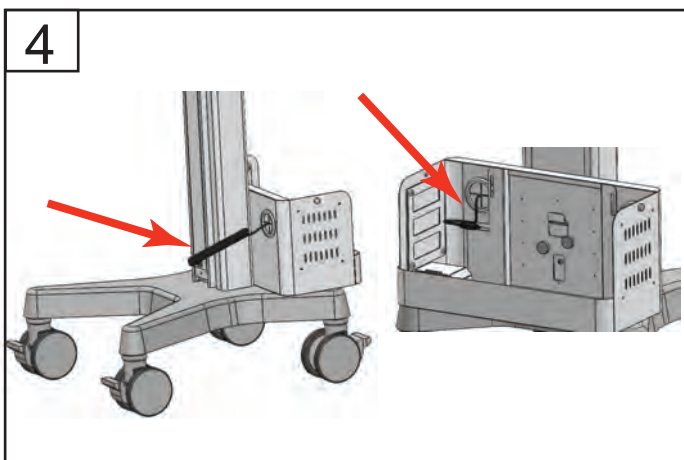
Install the **SPLINE** onto the **BASE** using the **SOCKET HEAD SCREWS** and the provided **ALLEN WRENCH** to secure in place.



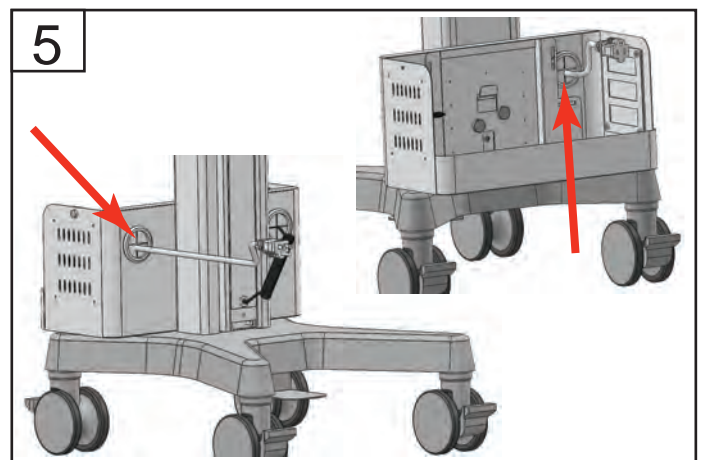
Remove the cover to the **BATTERY BOX** by loosening the side screws and lifting the cover off the box. Save screws and cover for re-installation.



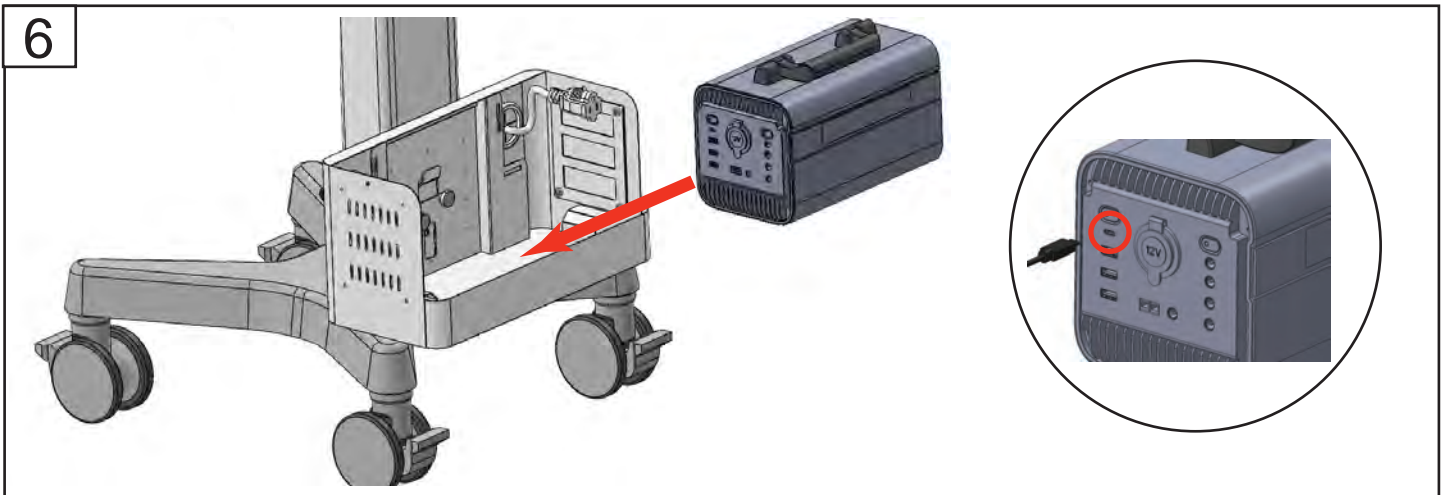
Install the box to the cart placing the box onto the hook. Secure the box to the cart with the provided **SCREWS**.



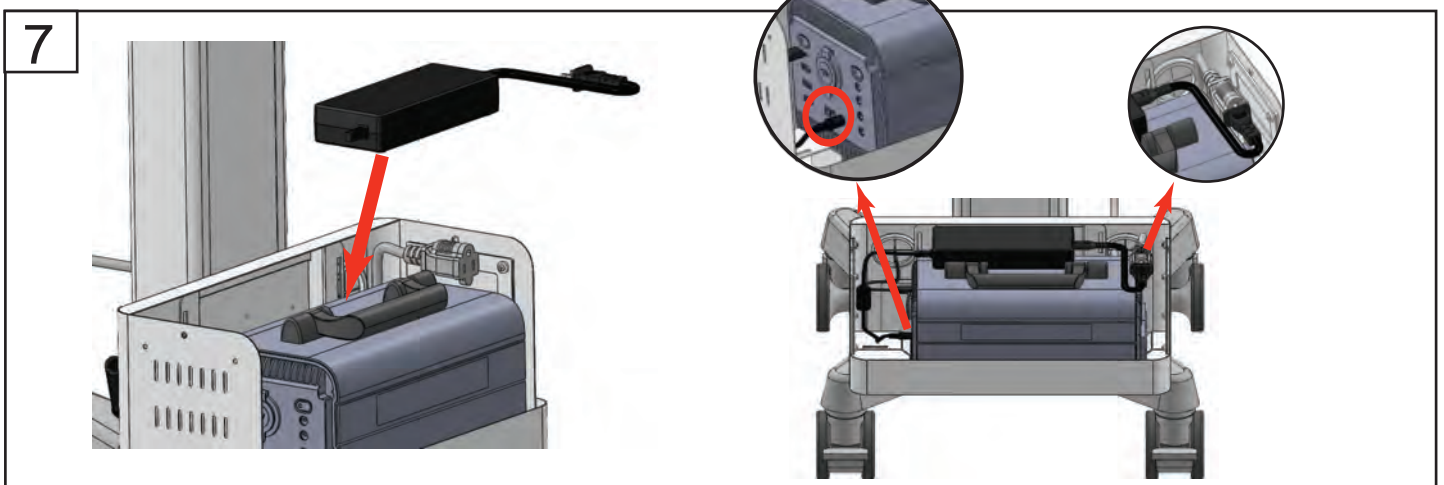
Push coiled cable from the bottom of the **SPLINE** into the grommet of the **BATTERY BOX**.



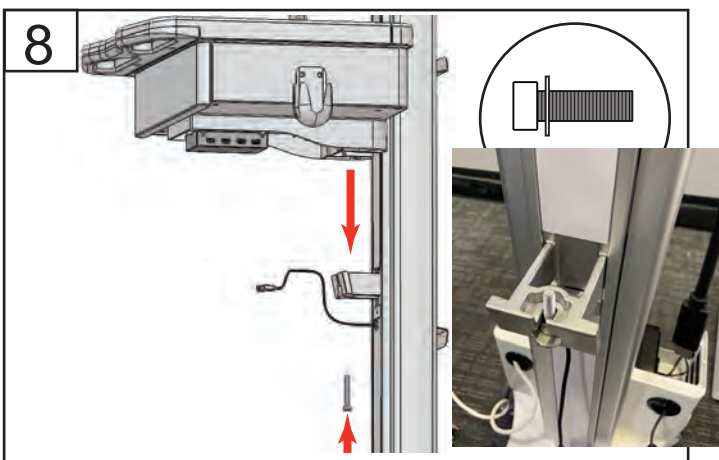
Install the **POWER CABLE EXTENSION** into the **BATTERY BOX** by pushing it through the other grommet.



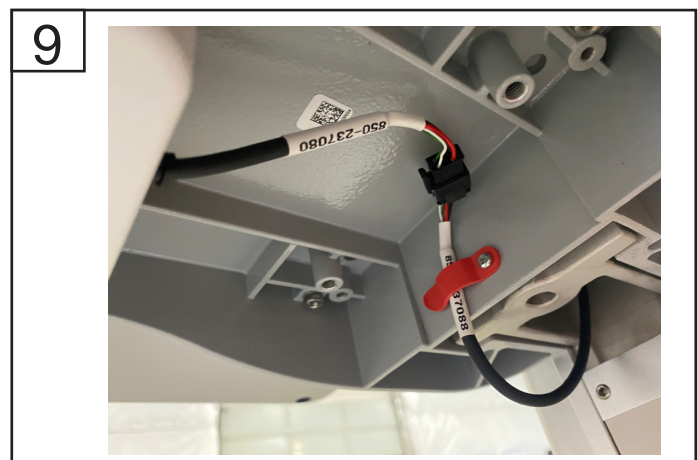
Place **BATTERY** into the **BATTERY CASE** plugging the USB-C connector to the USB-C connector output on the **BATTERY**.



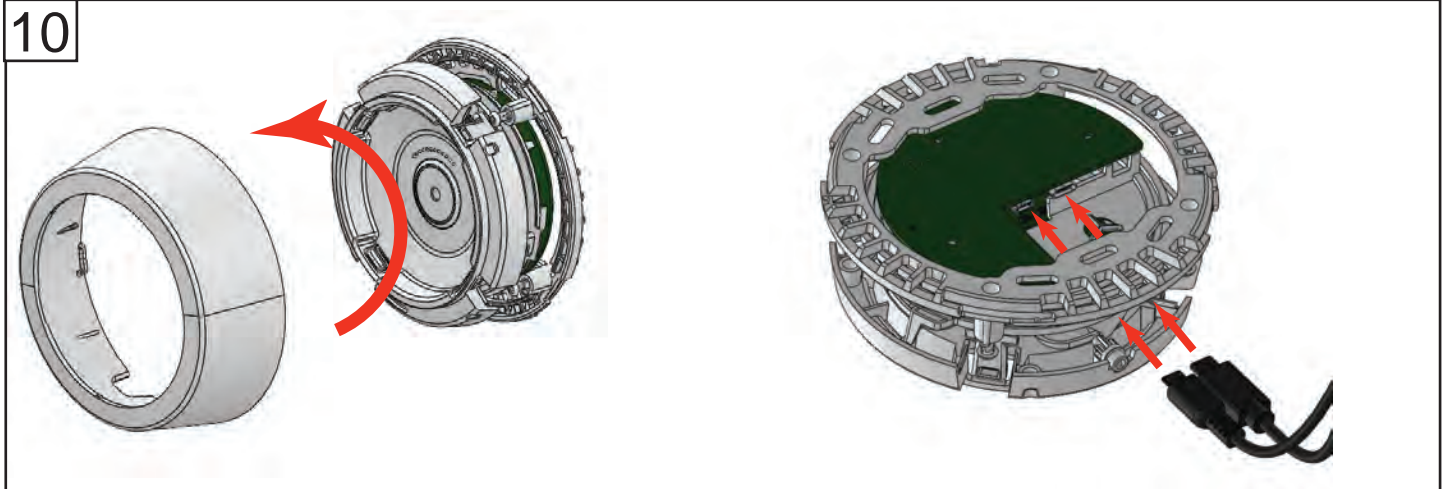
Install the **POWER SUPPLY** by placing it on top of the battery. Plug in the **POWER SUPPLY** into the **ADAPTER** port on the battery and into the **POWER CABLE EXTENSION**. Secure the handle to the ladder tie on top of the battery. Then put on the **BATTERY BOX** cover and tighten the side thumbscrews.



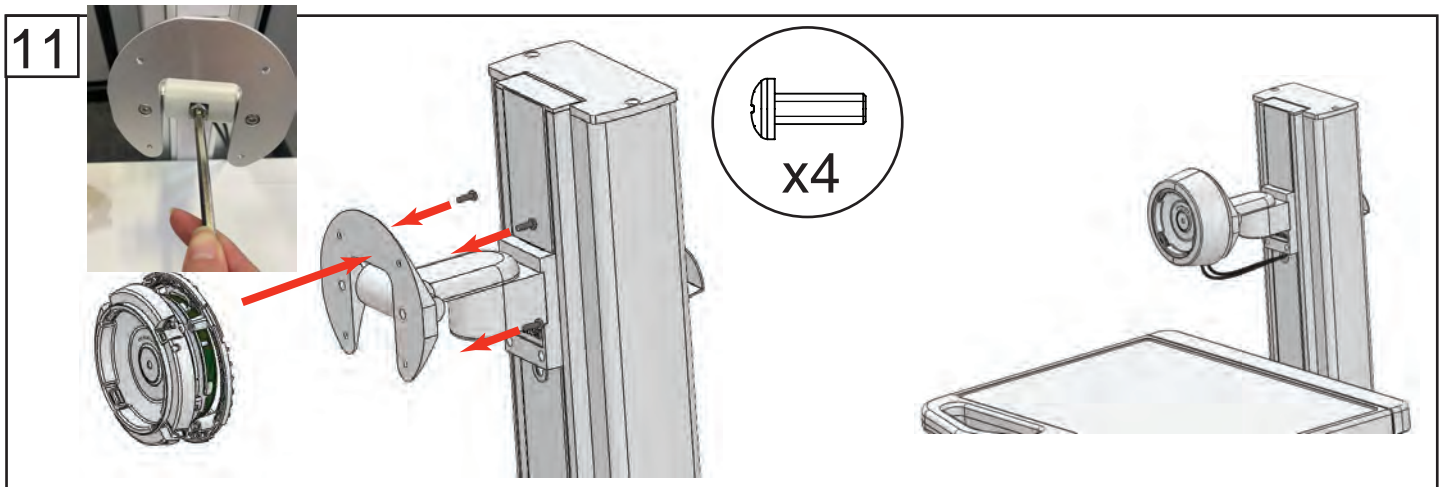
Insert **SCCKET HEAD SCREW** into slot on post from the front, not from the bottom. Place **TRAY** onto the bracket and secure with **SOCKET HEAD SCREW**.



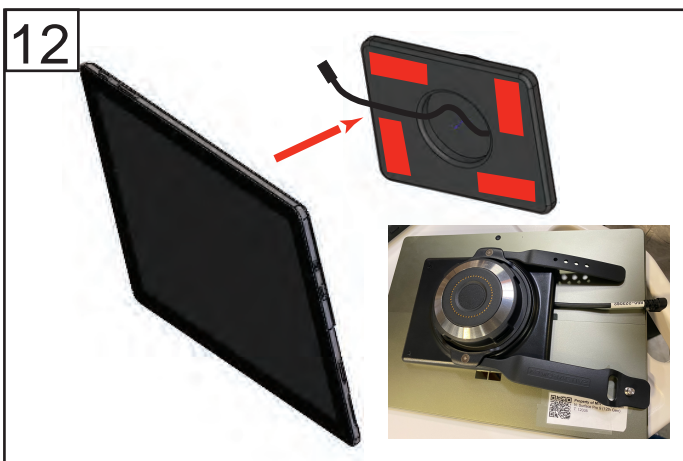
Slide the cable coming out of the spline under the red tab and connect it to the USB hub cable.



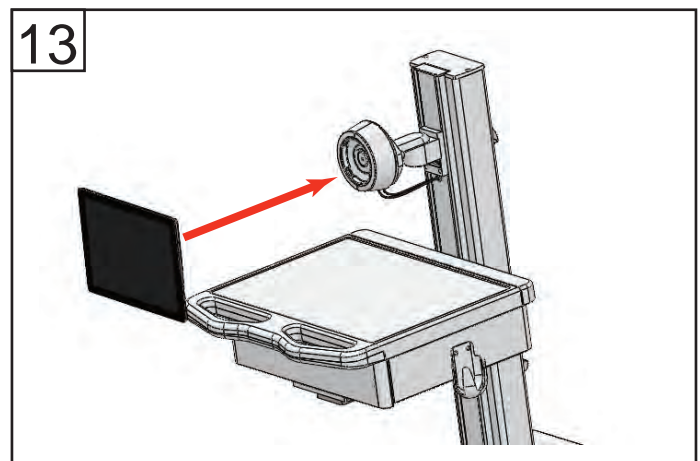
Remove the cover to the **RAPIDDOC** and set aside for re-installation. Plug in the 2 cables coming from the **SPLINE** to the **RAPIDDOC**. Remove the plastic protective film.



Use an Allen wrench to remove the center screw on the RapidDoc mount; this allows tilt up of the tablet. Mount the **RAPIDDOC** to the mounting plate using the supplied **PAN HEAD SCREWS**. Put cover back on and snap in to secure.



Attach the tablet (not included) to the **EZ BACK** by peeling the liner off the adhesive and firmly pressing the tablet to the **EZ BACK**. The USB-C cable on the **EZ BACK** should align with the USB-C port on the tablet. Plug in the power cable to the tablet. If using a case, put the EZ BACK on first.



Lock the tablet to the **RAPIDDOC**. Install **MOUSE POUCH** to side of drawer with 2 supplied screws.