

# Product Manual for Freedom Micro<sup>®</sup> II Mechanical High Security

## Contents

1.	Fixture/Track Reference Guide	2
2.	OEM Power Cable Routing	3
3.	Track Fixture Mounting	4
4.	Entertainment Fixture (Through hole)	6
5.	Speedbracket™ Merchandising	7
6.	Speedbracket™ Offsetting	8
7.	Speedbracket™ Removal	10
8.	Removing OEM power Cable	11
9.	Dimensions	12

**DO NOT REMOVE FROM STORE**



**For additional support, please reach out to our  
Contact Center at 800-897-1350**



**WARNING:** MTI products contains chemicals known to the State of California to cause cancer and birth defects or other reproductive harm. Proposition 65, California Health & Safety Code Section 25249.6 et seq. Visit [oehha.ca.gov](http://oehha.ca.gov) for more information.

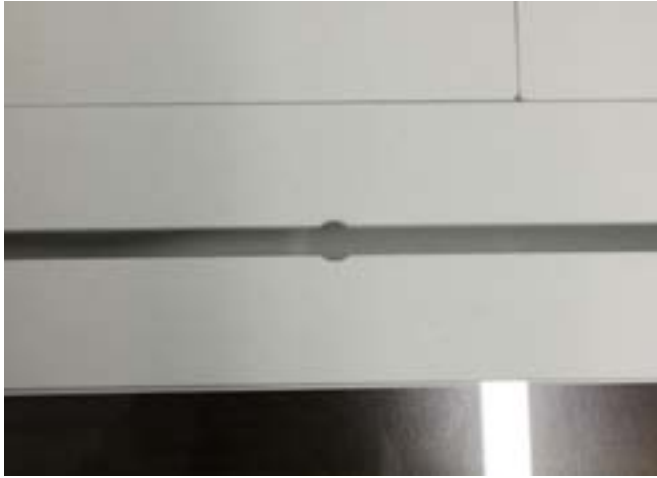


# FIXTURE/TRACK REFERENCE GUIDE FOR SECURITY INSTALLATION



Through Track with Solid Surface

Panel Wall Track



Through Track with Acrylic Top

Aluminum Track

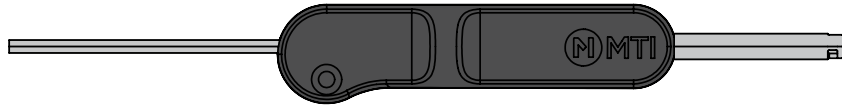


Through Track with Grommet

Entertainment Fixture (Through Hole)

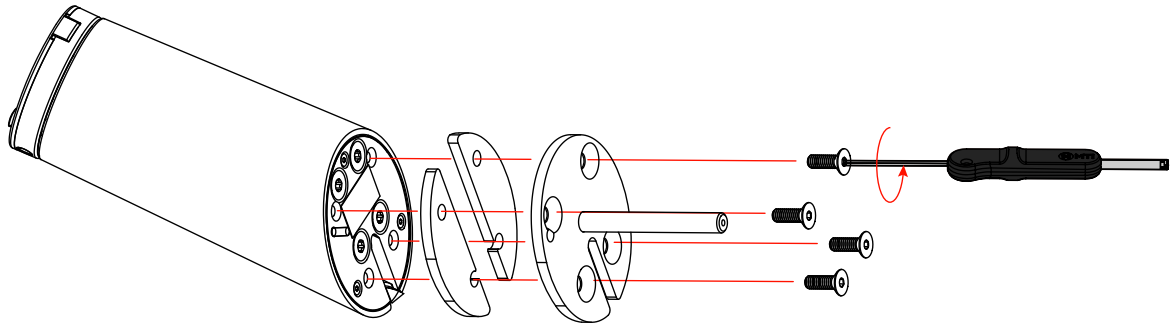


## REQUIRED TOOLS

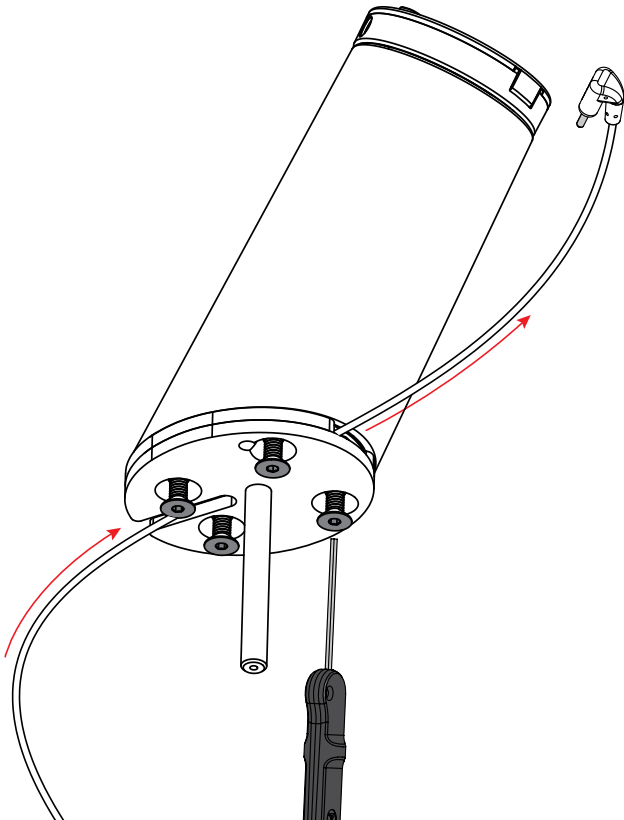


## OEM POWER CABLE ROUTING

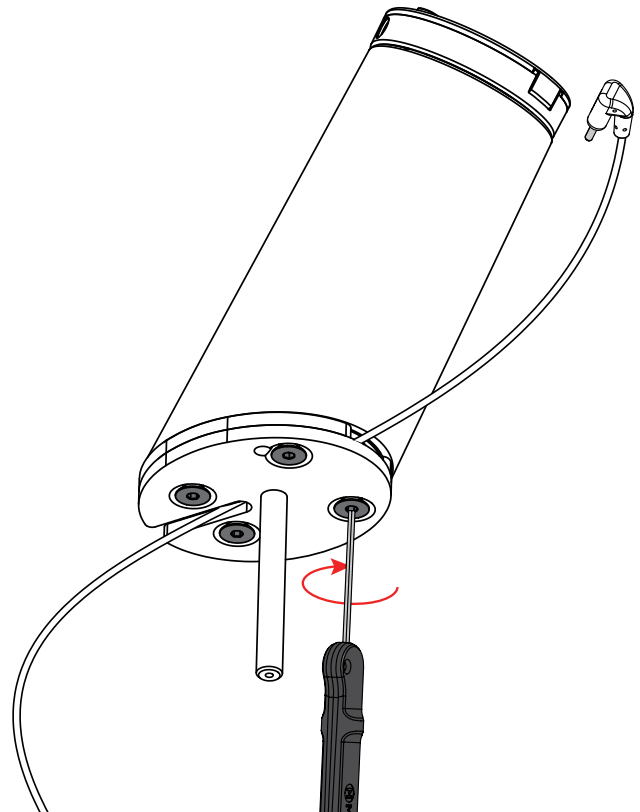
- 1 Riser, spacers, and baseplate come pre-assembled as shown. Upon opening the box, loosen all four screws 3-4 turns to route OEM power cable in next step. If your base has track adapter baseplate, follow these same steps.



- 2 Feed OEM power cable included with device through cable channel between the riser and baseplate. Cable should be routed such that the device end of the cable is inserted to the back of the riser and exits from the front of the riser.



- 3 Tighten all four baseplate screws after routing OEM power cable.

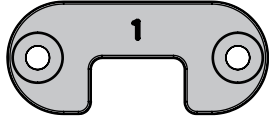


# TRACK KIT CONFIGURATIONS



## Solid Surface, Grommet or Radial Track

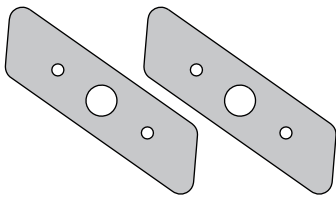
Spacer Adapter



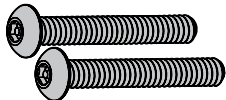
Spacer Screws



Track Mounting Tabs

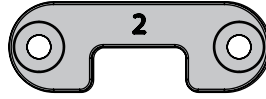


Mounting Tab Screws Long



## Through Track with Acrylic Top

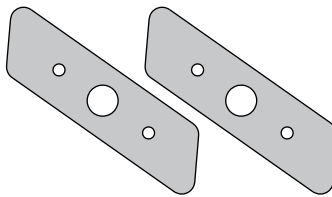
Spacer Adapter



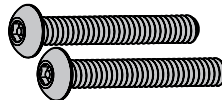
Spacer Screws



Track Mounting Tabs



Mounting Tab Screws Long



## Aluminum Track or Panel Wall

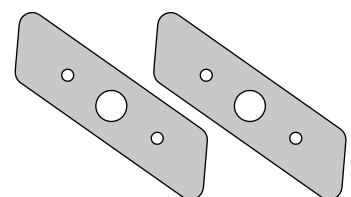
Spacer Adapter



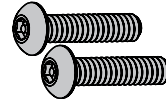
Spacer Screws



Track Mounting Tabs

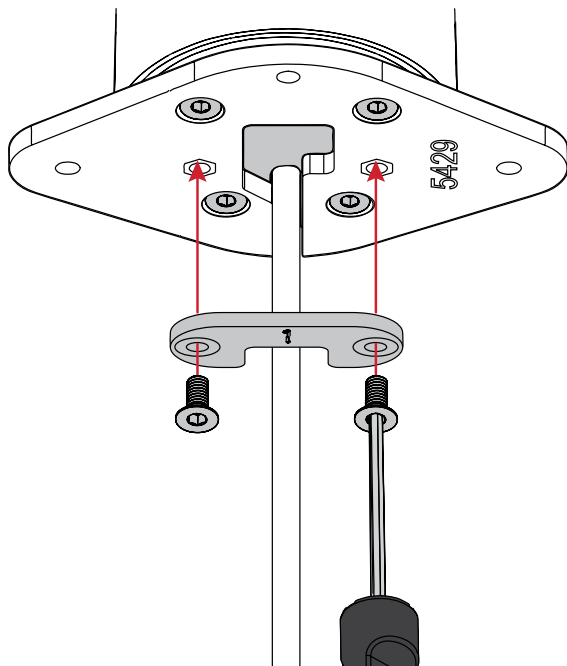


Mounting Tab Screws Short

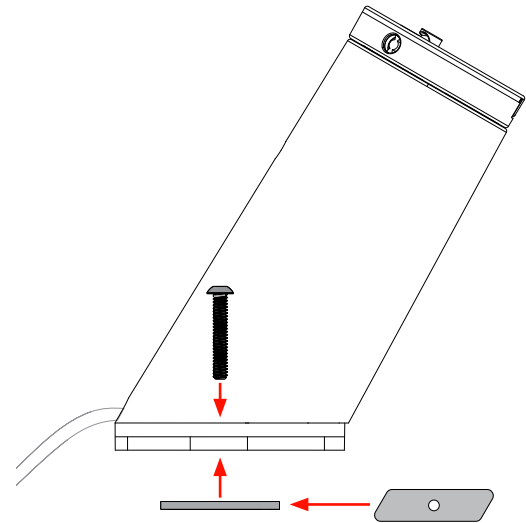


# TRACK INSTALLATION

- 1 Attach Spacer Adapter with the spacer screws using the Double-Sided System Tool. Make sure that the spacer number is facing down.



- 2 Rotate the mounting tabs onto the mounting screws until flush with bottom of screw. Make sure the DOTTED side of the mounting tabs is facing DOWN.

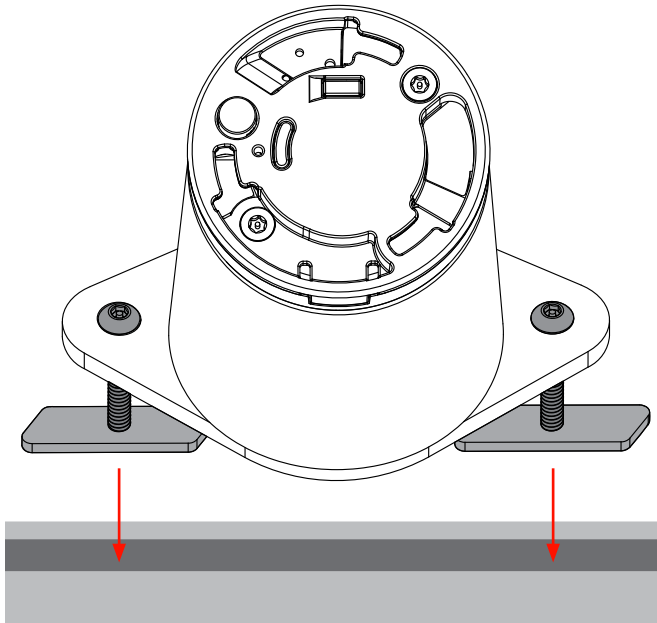




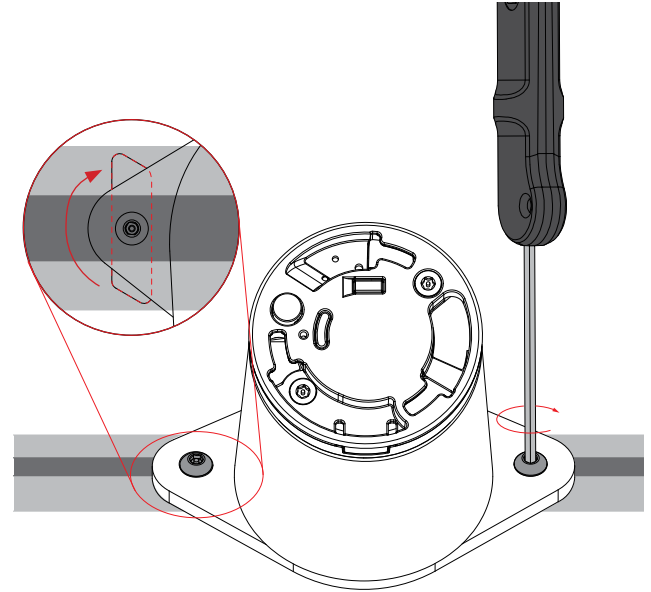
## TRACK INSTALLATION



**3** Align the mounting tabs and press them into the track.



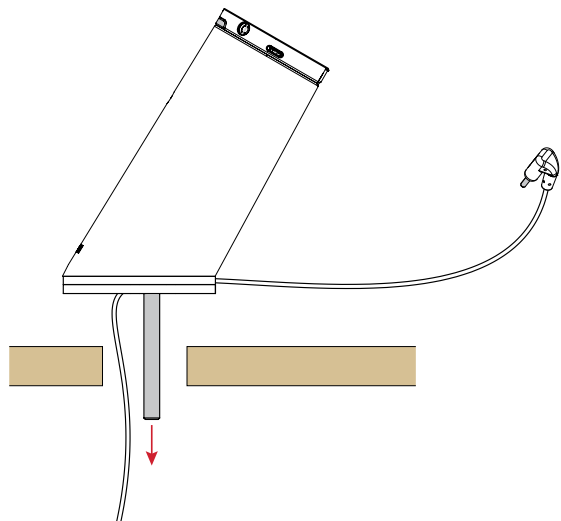
**4** Hold the position steady with one hand. With your other hand use the Double-Sided System Tool to turn the screws to move the mounting tabs into position. Tighten screws to lock position to the fixture.



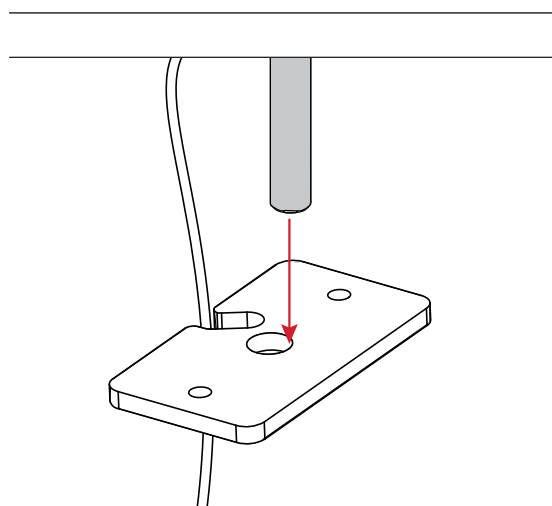
# ENTERTAINMENT FIXTURE (THROUGH HOLE) INSTALLATION



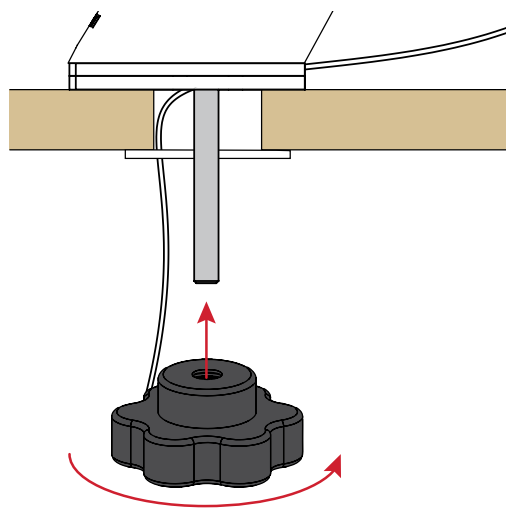
- 1** Insert the Freedom Micro® II MHS position into the hole.



- 2** Align bottom plate to slot adapter.



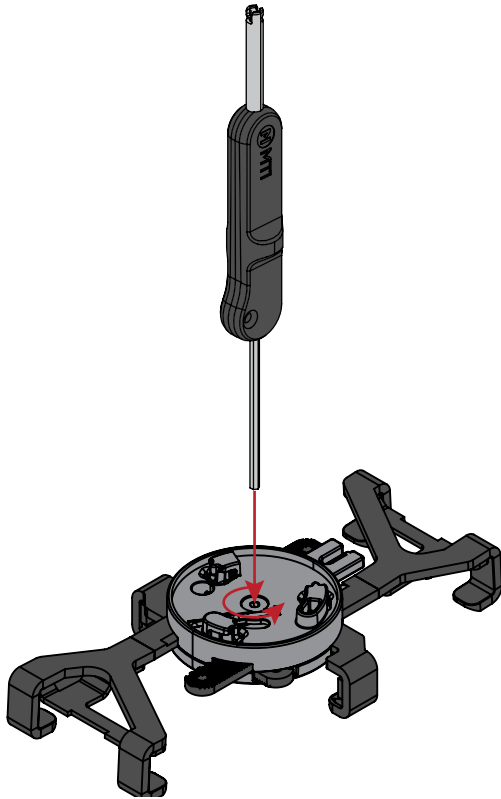
- 3** Secure the Freedom Micro® II Mechanical MHS position with the knob.



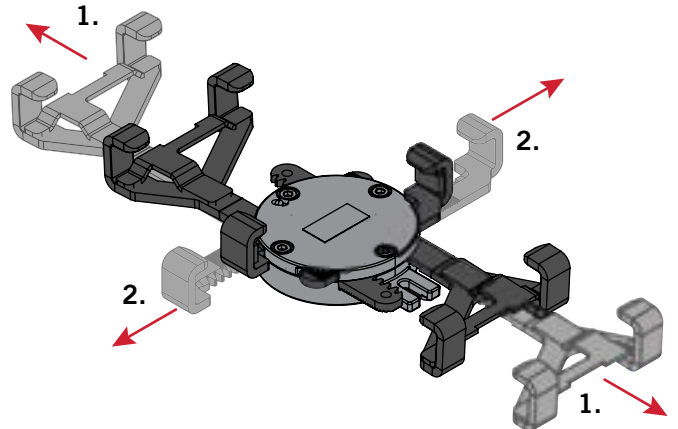
# SPEEDBRACKET™ MERCHANDISING



- 1** Loosen the center screw on the universal bracket to loosen the bracket arms.

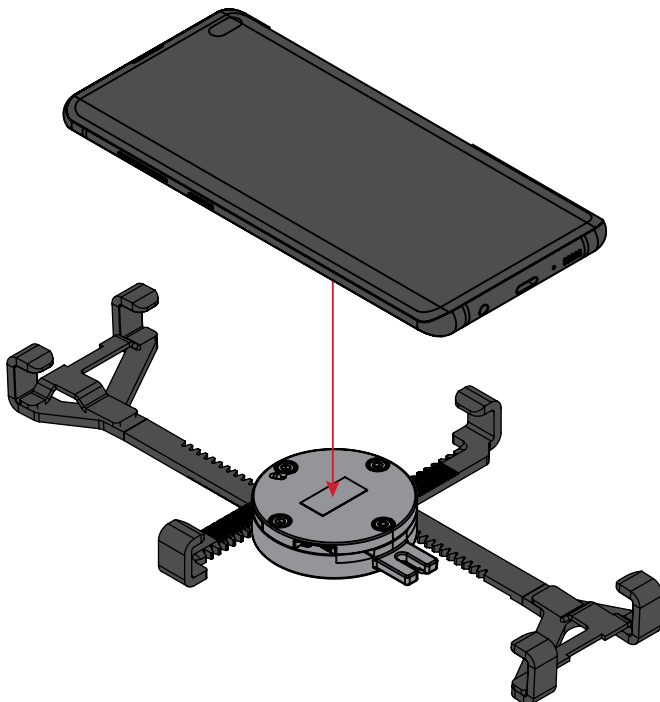


- 2** Extend the bracket arms as far as needed. The bracket arms move simultaneously in pairs (top & bottom, and left & right).

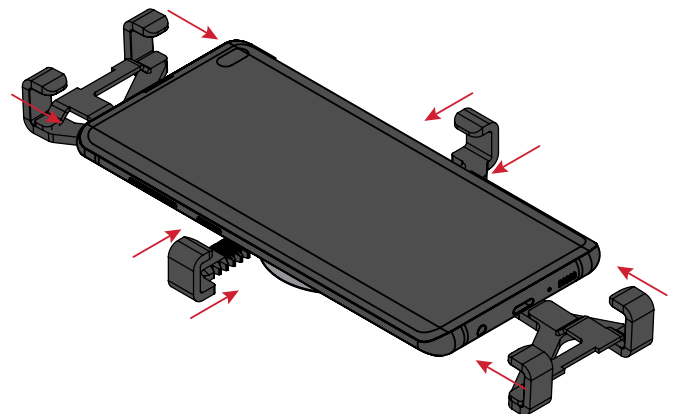


Open the top and bottom bracket arms, then the side arms, in that order.

- 3** Place the phone into the universal bracket.



- 4** Adjust the universal bracket to fit the device snugly.



# SPEEDBRACKET™ OFFSETTING



Occasionally, having the SpeedBracket medallion centered on the device may cover or partially cover a needed button on the edge of the phone. In those cases, the SpeedBracket can be offset on the device. The instructions below show the steps to offset up/ down. The same steps can be used to offset left/ right.



- 1** Using the Freedom Micro II tool, loosen the 2 security screws on the back of the medallion to loosen the bracket arms.



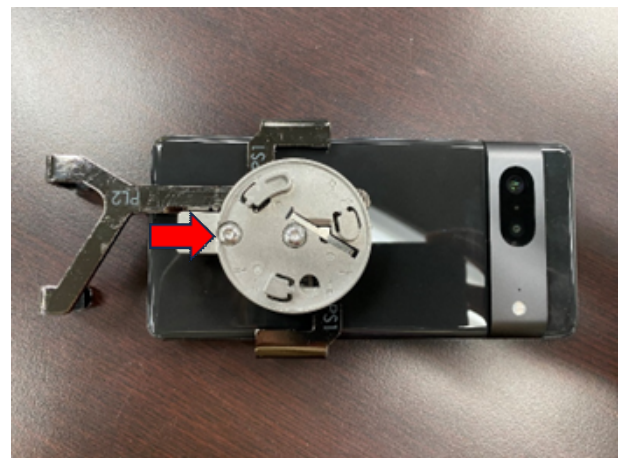
- 2** Slide the top (PL1) and bottom bracket (PL2) arms all the way out.



- 3** Place the side bracket arms (PS1) on the device, lining up with where they need to fit on the phone.



- 4** Slide in only the bottom bracket arm (PL2) part way, not all the way flush with the device.



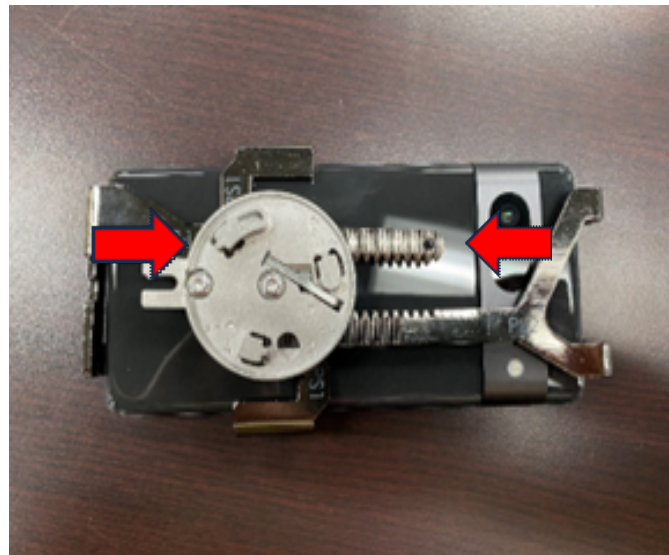
# SPEEDBRACKET™ OFFSETTING



**5** Then, start to slide in the top bracket arm.



**6** Slide both arms inwards and fit all bracket arms snugly around the device.



**7** Make sure the bracket arms are not obstructing any needed buttons on the edge of the phone. If further adjustment is needed, repeat above steps until the bracket arms are lined up where they need to be.



**8** Tighten the 2 security screws on the back.

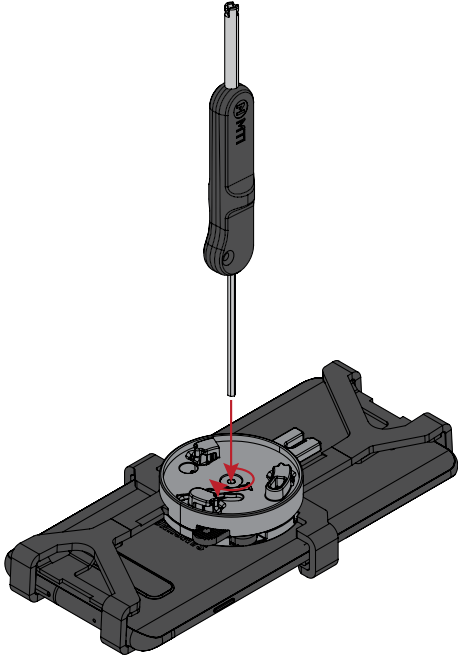




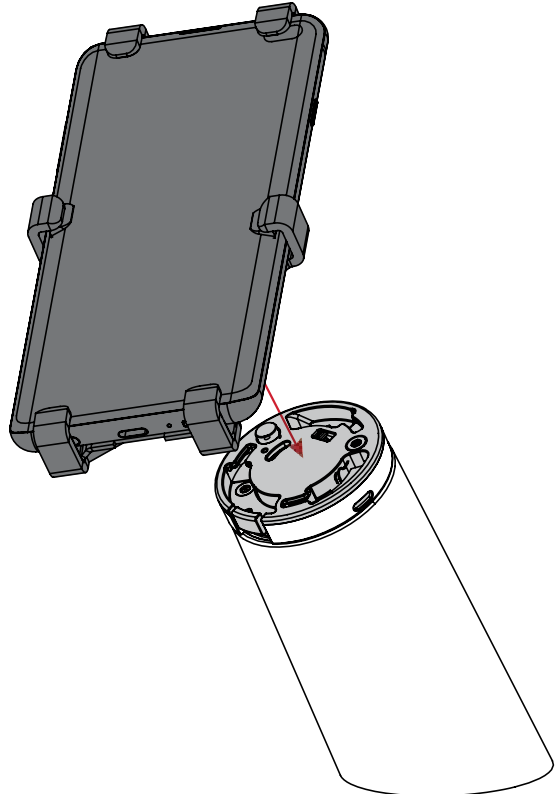
# SPEEDBRACKET™ MERCHANDISING



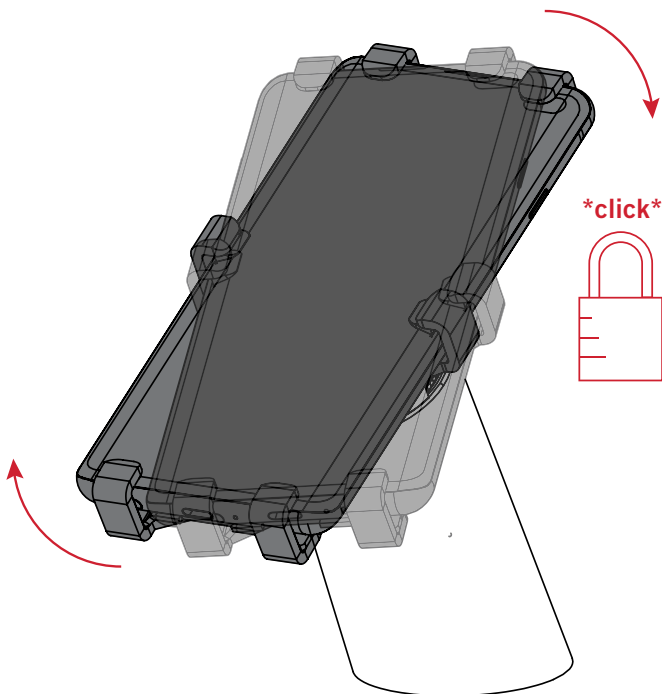
**5** Tighten the center screw on the SpeedBracket™ to secure the bracket arms in place around the device. After tightening screw, wiggle the arms to ensure they have fully engaged the lock teeth, then re-check screw for tightness.



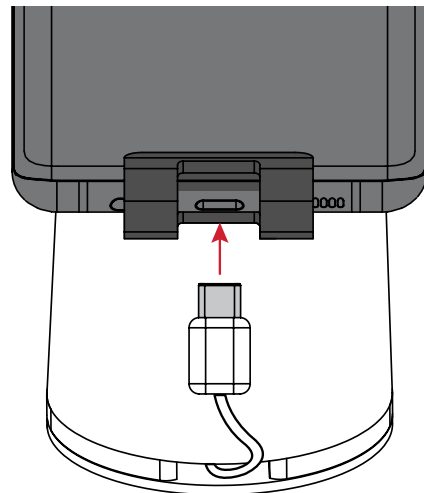
**6** Place device back onto puck.



**7** Rotate the device and bracket clockwise on the puck until it locks into place.



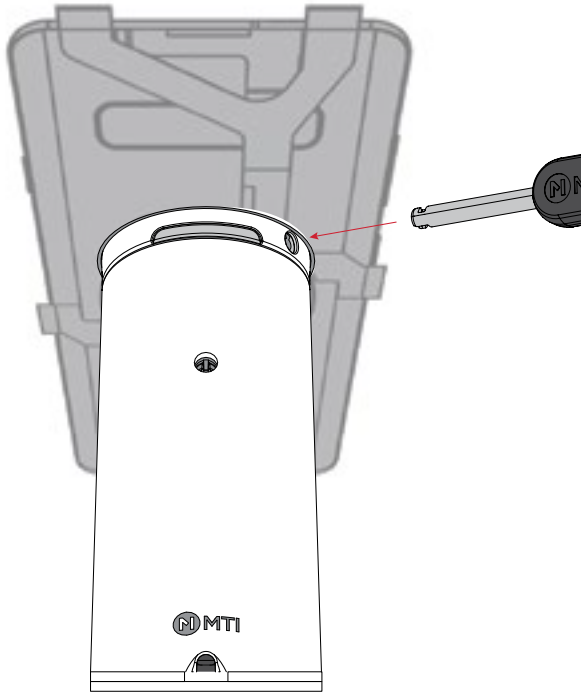
**8** Once OEM cable has been routed (page 3) plug into device.



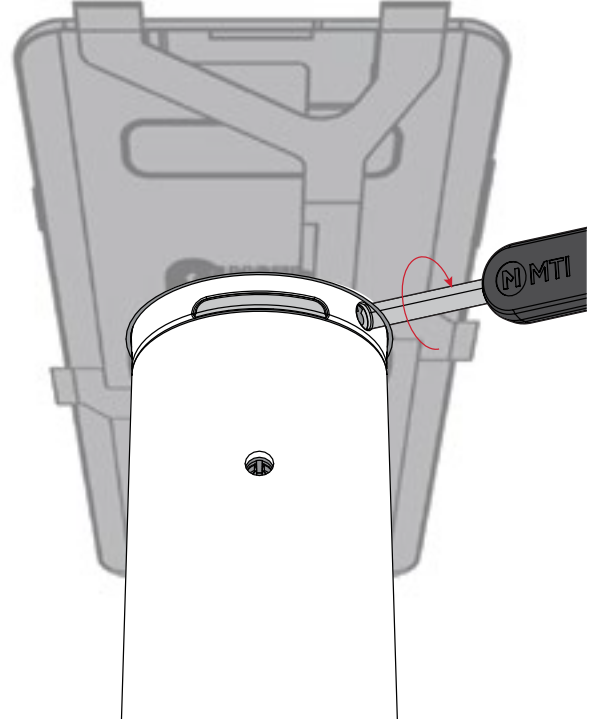
# REMOVING SPEEDBRACKET™ FROM PUCK



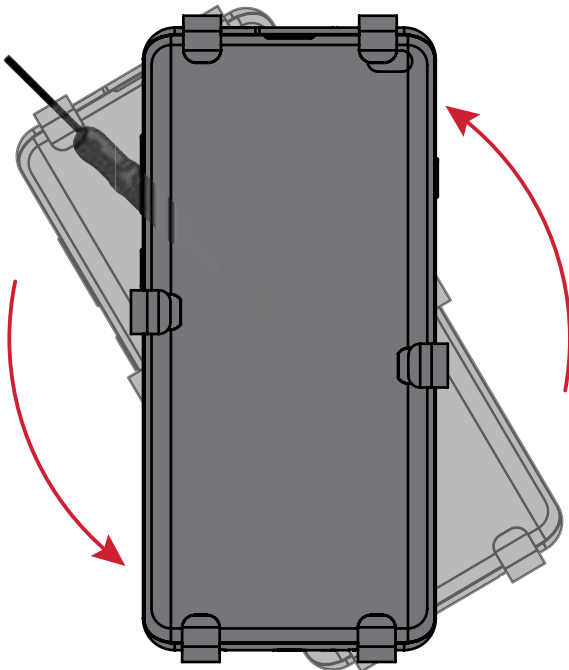
- 1** Insert the crescent end of the Freedom Micro® II tool into the opening to the right of the LED.



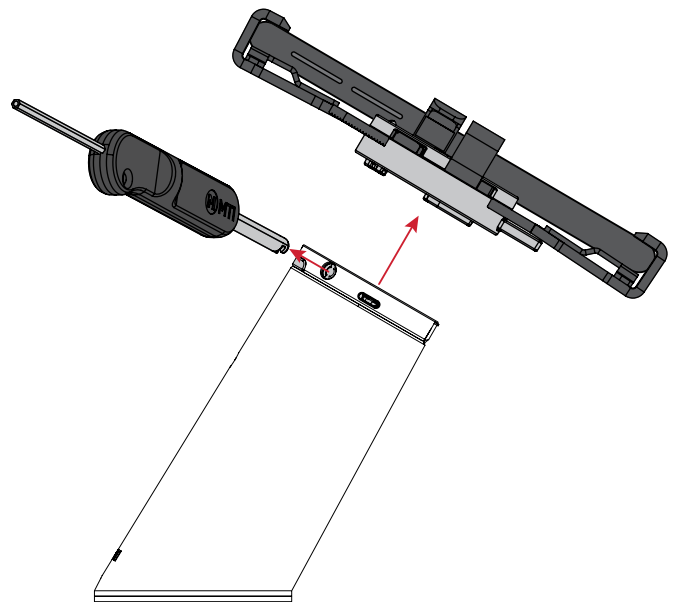
- 2** Twist the Freedom Micro® II tool clockwise 45 degrees and hold it in place.



- 3** With the Freedom Micro® II tool held in the twisted position, rotate the SpeedBracket™ counterclockwise.



- 4** Remove the SpeedBracket™ from the Freedom Micro® II Puck, then release and remove the Freedom Micro® II tool.

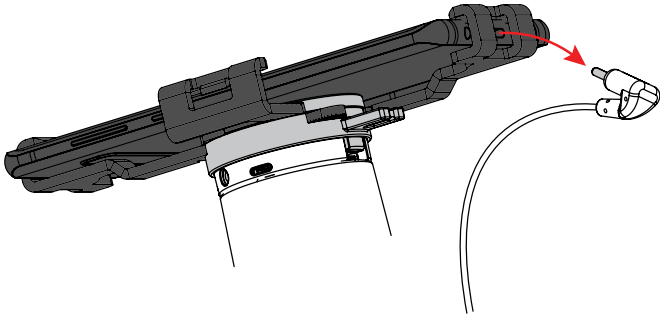




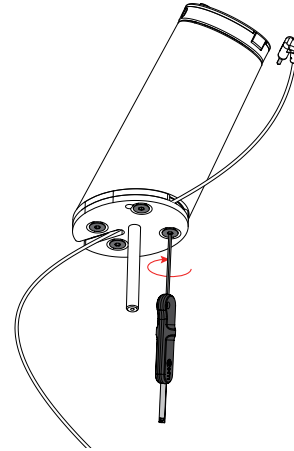
# REMOVING OEM CABLE FROM DEVICE



1 Remove OEM cable from device.



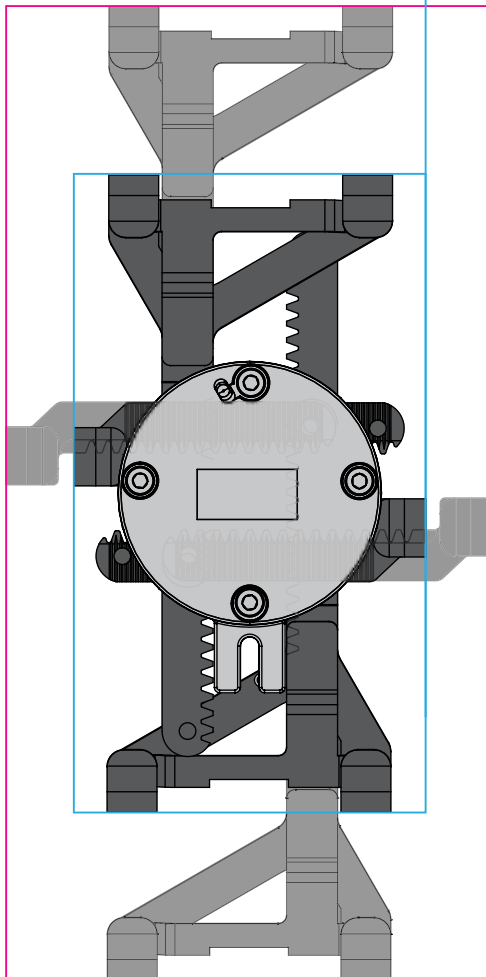
2 Detach Riser from fixture and route OEM cable through (reverse order page 3. step 2)



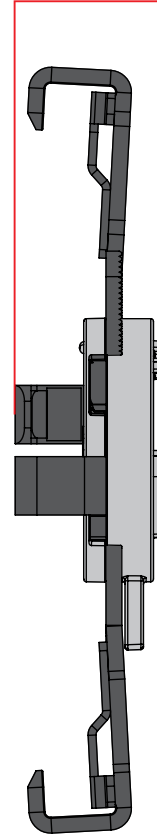
# SPEEDBRACKET™ DIMENSIONS

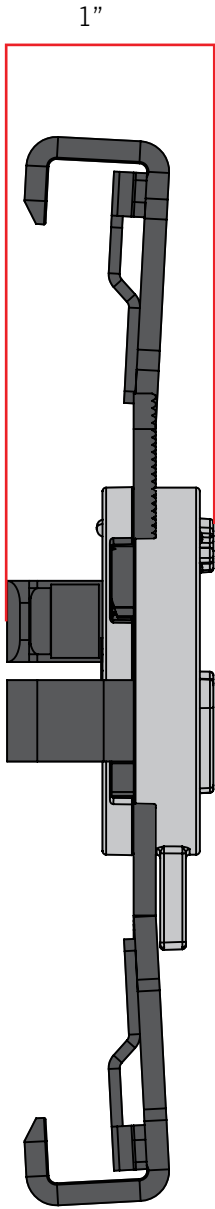
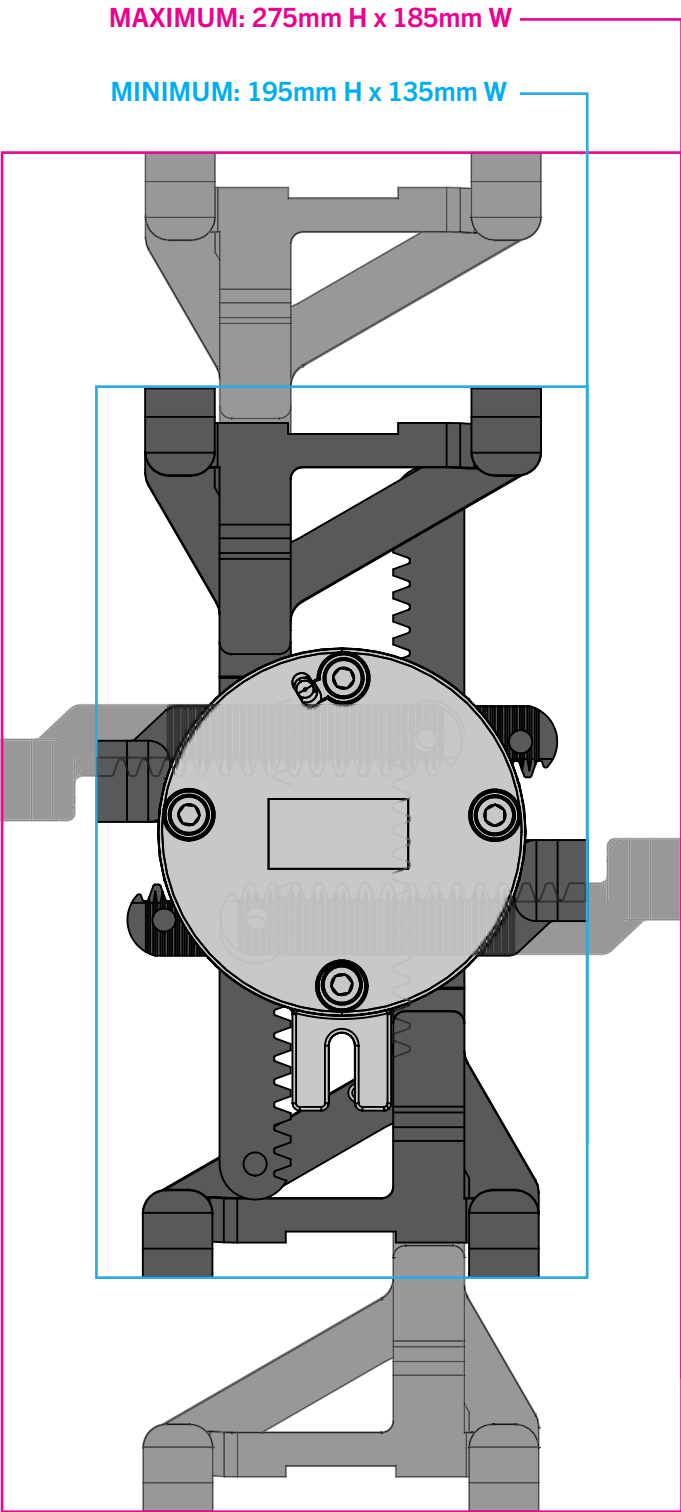
MAXIMUM: 180mm H x 90mm W

MINIMUM: 118mm H x 65mm W



1.11"





Accommodates Tablets  
4 - 7mm Thick