

Product Manual for
FREEDOM MICRO® II
High Security Power Flex

Contents

1.	Components And Accessories	2
2.	Baseplate Options	3
3.	RFID Commands	4
4.	Speedbracket™ Merchandising	6
5.	Installing Power Flex	8
6.	De-merchandising	9
7.	SpeedBracket Offsetting	10
8.	LED Status Indicators	12
9.	SpeedBracket Dimensions	14

[Power Flex Installation Video](#)

DO NOT REMOVE FROM STORE



**For additional support, please reach out to our
 Contact Center at 800-426-6844**



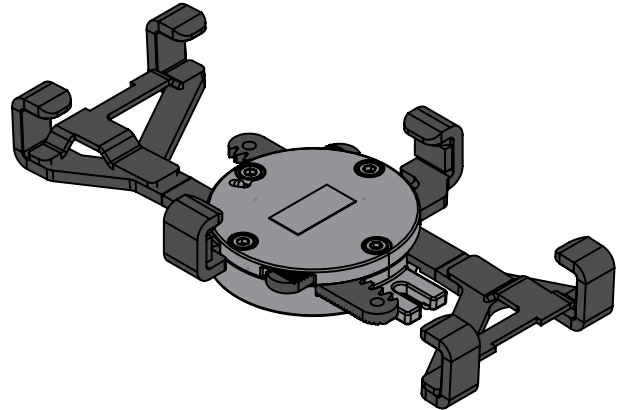
WARNING: MTI products contains chemicals known to the State of California to cause cancer and birth defects or other reproductive harm. Proposition 65, California Health & Safety Code Section 25249.6 et seq. Visit oehha.ca.gov for more information.



Freedom Micro® II Power Flex Riser and Bracket Adapter

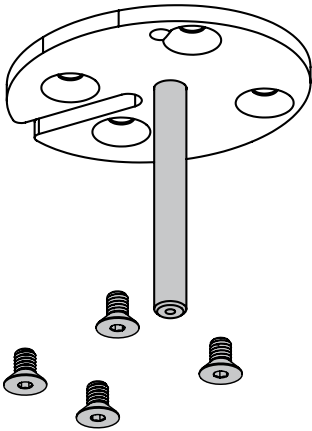


High Security Bracket

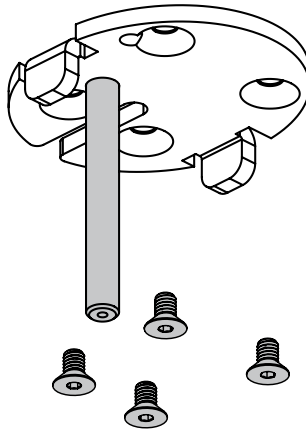


Mounting Options

Through Hole Mounting



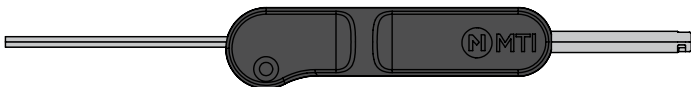
Slot Mounting



Power Brick

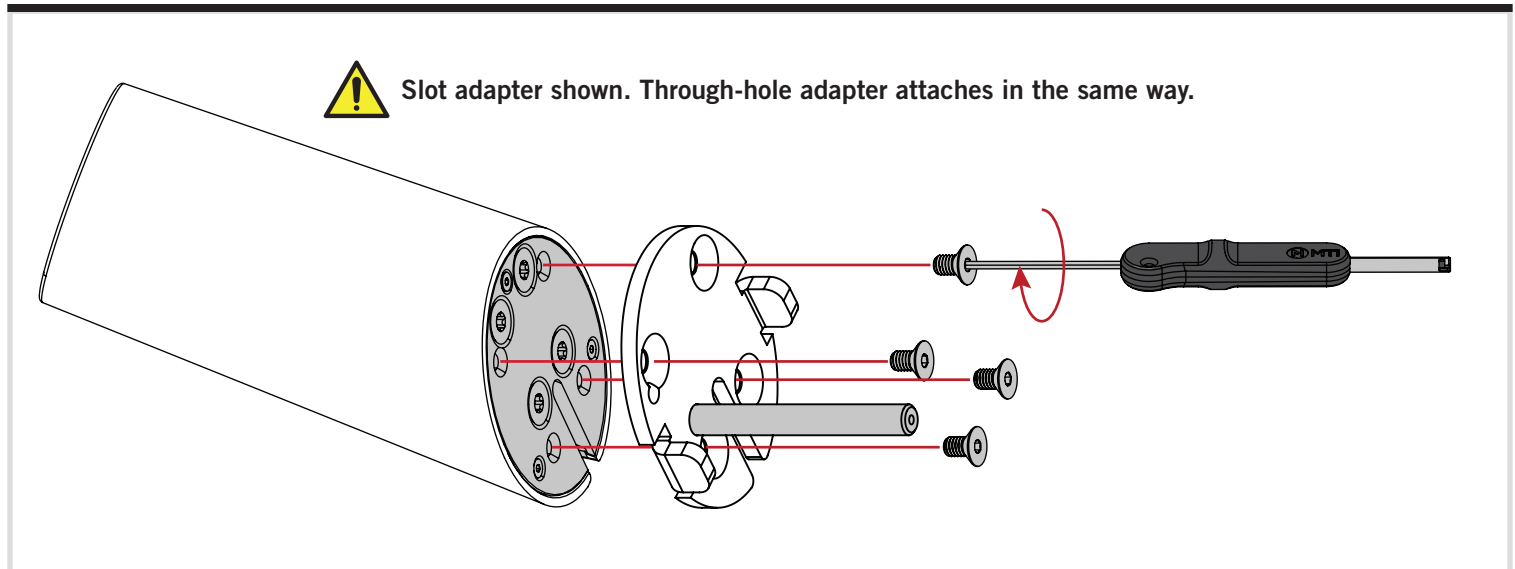


Freedom Micro® II Tool



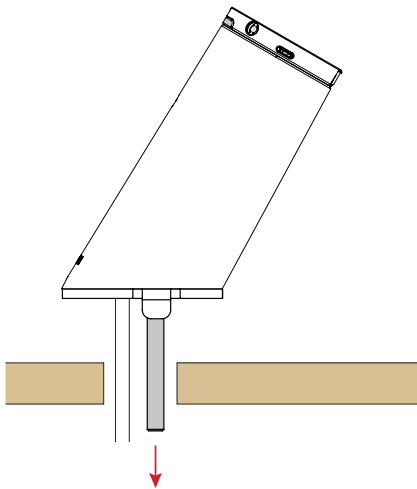
VersaKey User Cards and Authorization Card



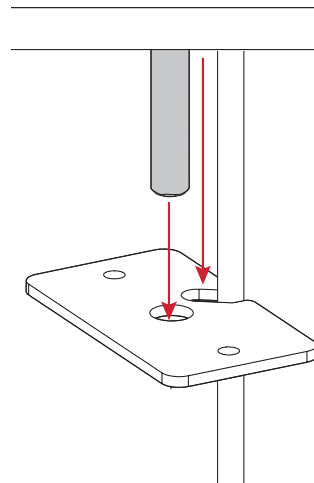


MOUNTING SLOT & THROUGH-HOLE ADAPTERS

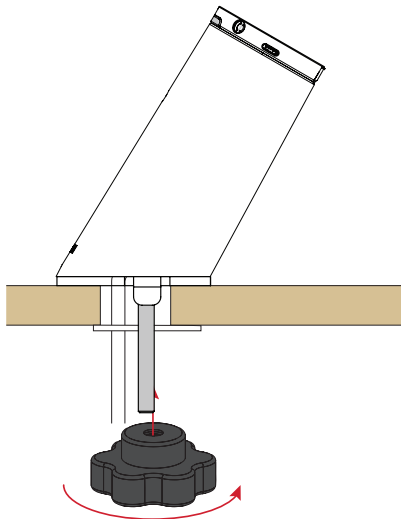
- 1** Insert the Freedom Micro® II position into the slot or hole.



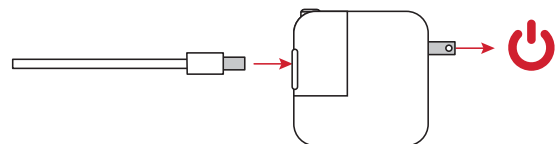
- 2** Place the power cable into the slot on the bottom plate, then slide it up over the slot adapter post.



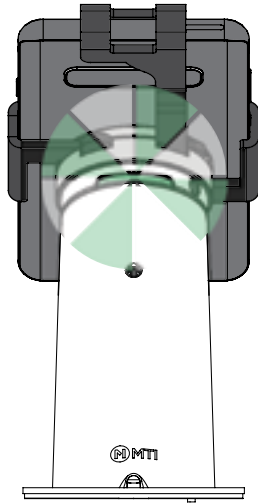
- 3** Secure the Freedom Micro® II position with the knob.



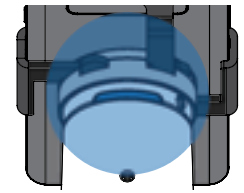
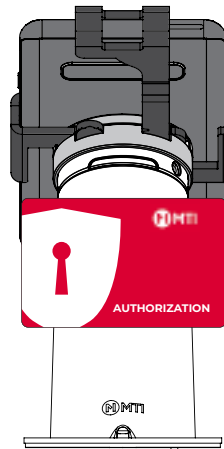
- 4** Use the individual power supply and plug it into the nearest outlet. Use an outlet installed near the equipment that is easily accessible.



Default Mode



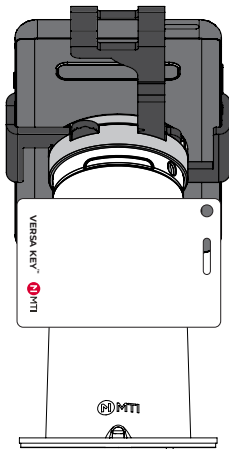
Enter Authorization Mode



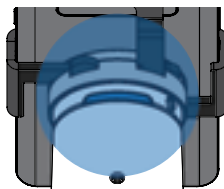
Hold the red authorization card flat against the back of the riser where the RFID symbol is located. It will beep twice and the LED will turn blue, indicating that the position has entered authorization mode.

Double Beep

Program User Card

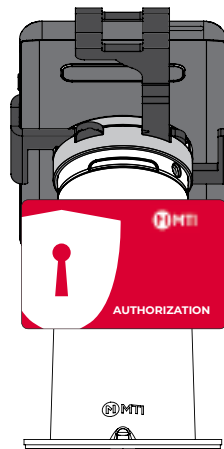


Double Beep

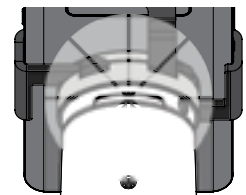


For each VersaKey you want to make an authorized user key, tap each one flat against the back of the riser. It will beep twice to indicate the VersaKey card is programmed.

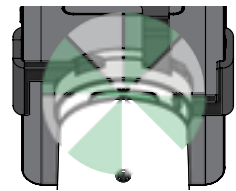
Exit Programming Mode



Double Beep

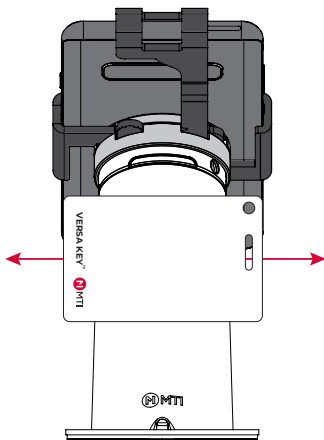


Flash White every 8 seconds:
Disarmed

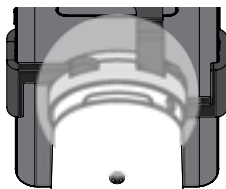


Auto time out if no user cards are added, reverts to Default mode.

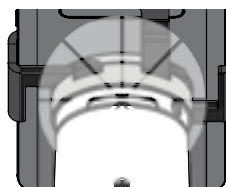
Arm/Disarm Position



Double Beep: Accepted
Four Fast Beeps: Rejected



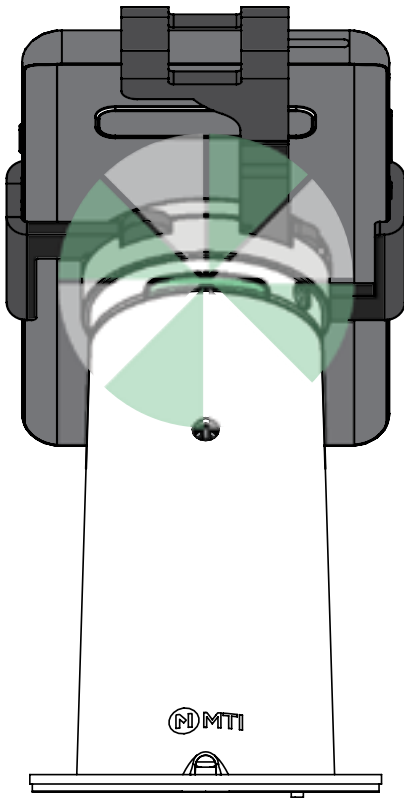
Solid White:
Locked Down



Flash White every 8 seconds:
Unlocked

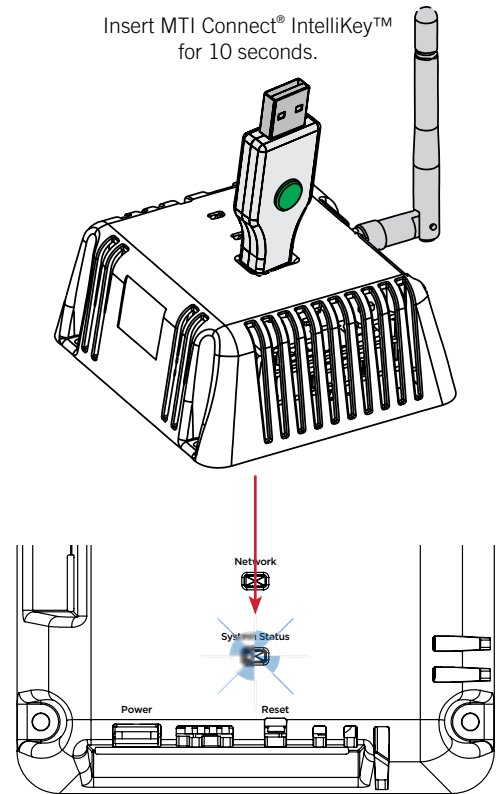
Tap the red authorization key on the riser again to close the authorization process. Test one of the authorized user keys to make sure it works and locks down the position.

Default Mode

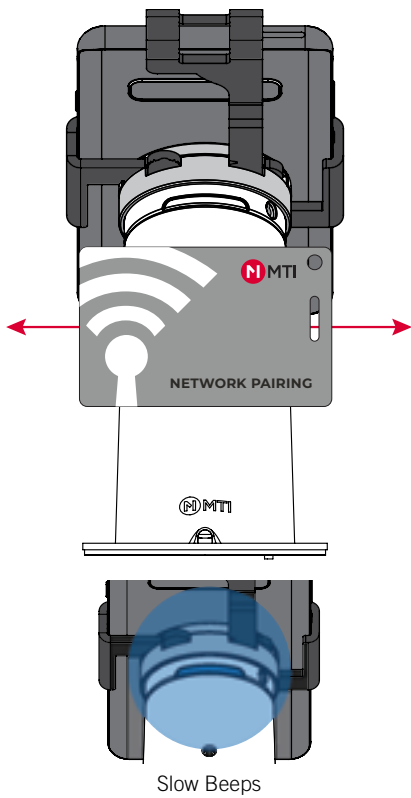


Enable Pairing Mode on MTI Connect Hub

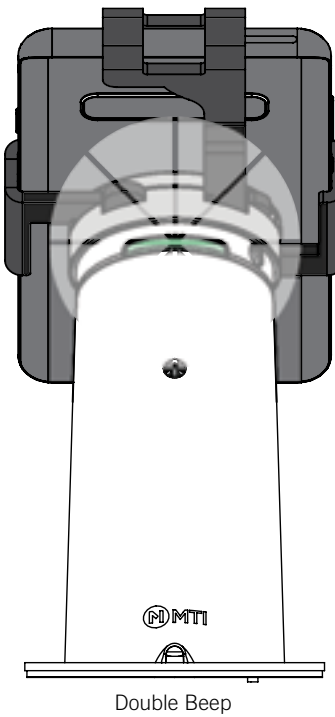
Insert MTI Connect® IntelliKey™ for 10 seconds.



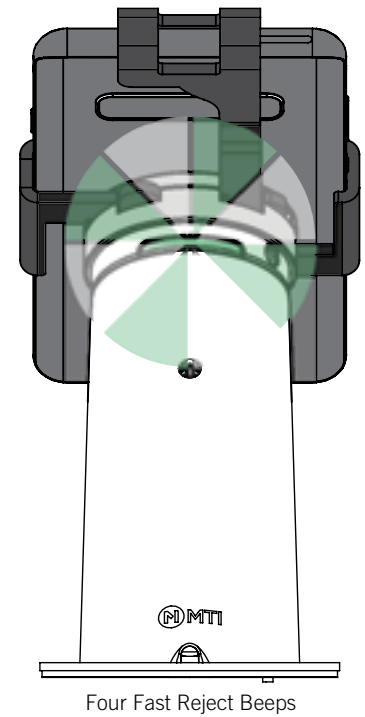
Enter Network Mode



Position connects successfully to mesh network:



Position fails to connect to mesh network within 3 minutes:

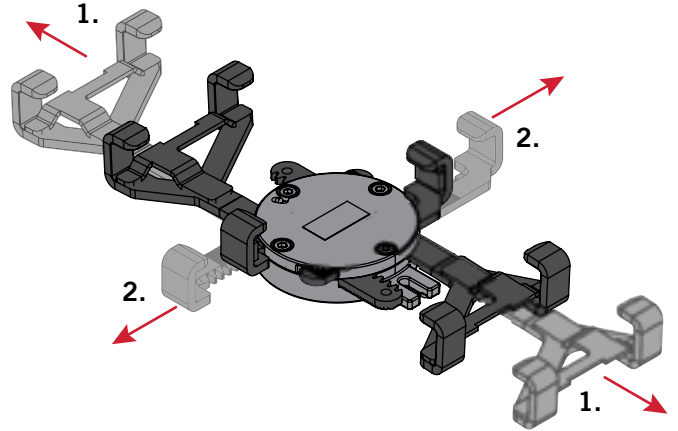


- 1** Loosen the arm locking security screws on the universal bracket to loosen the bracket arms.



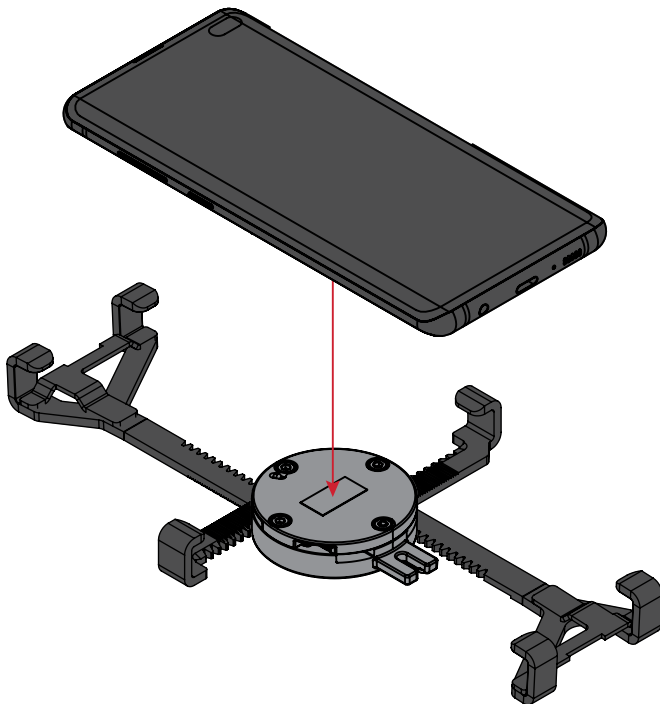
! Some brackets may only have center locking screw

- 2** Extend the bracket arms as far as needed. The bracket arms move simultaneously in pairs (top & bottom, and left & right).



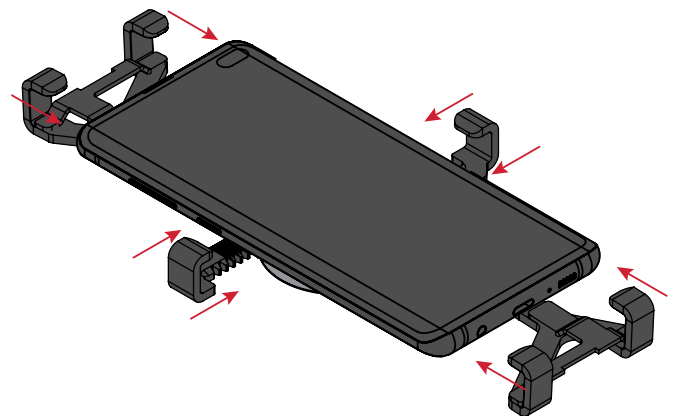
! Open the top and bottom bracket arms, then the side arms, in that order.

- 3** Place the phone into the universal bracket.

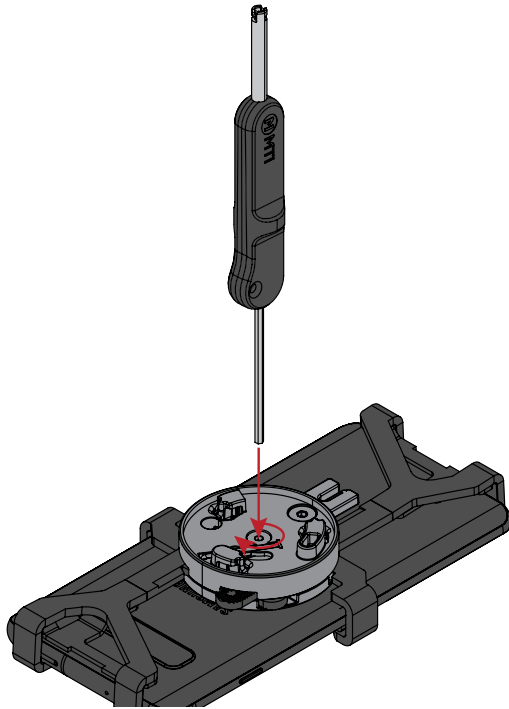


! Charge port of phone should face towards cable clip on SpeedBracket

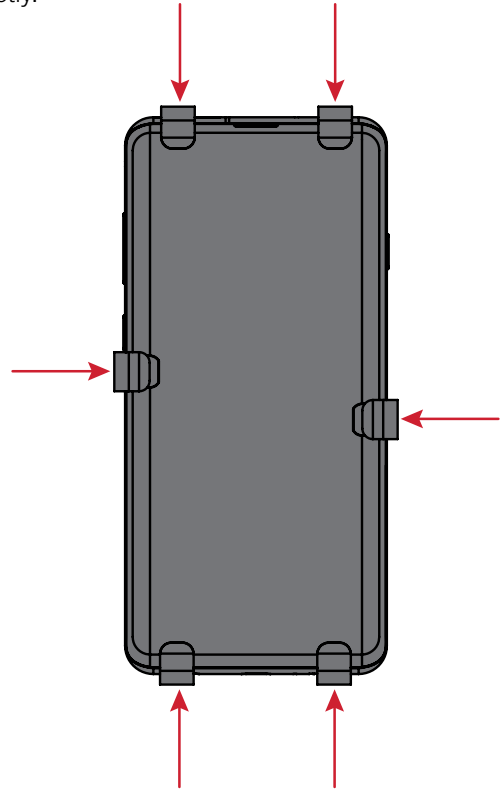
- 4** Adjust the universal bracket to fit the device snugly.



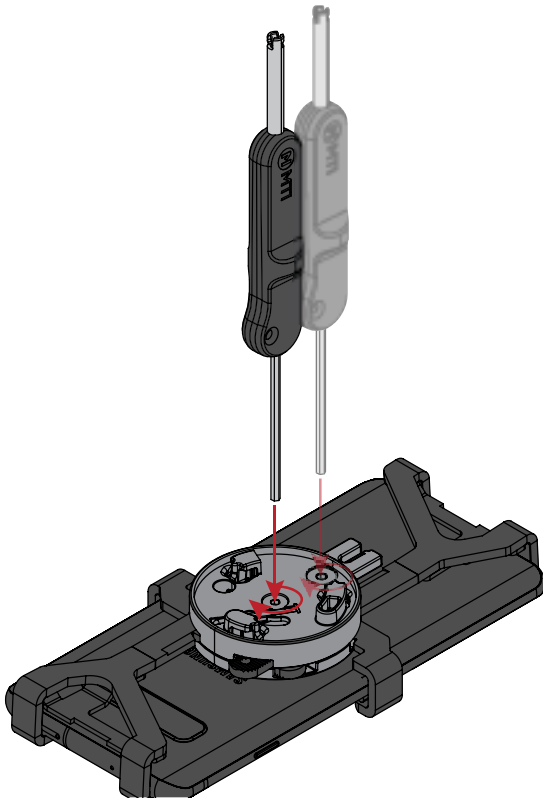
- 5** Tighten center locking security screw on the SpeedBracket™ to secure the bracket arms in place around the device. After tightening screws, wiggle the arms to ensure they have fully engaged the lock teeth.



- 6** Place pressure on the top/bottom and the sides to try and move arms. This is to find if the arms did not seat correctly.



- 7** Tighten center screw again until tight. Tighten the other bracket security screw for additional security.



- 1** Install the bracket adapter. Line up the arrow on the SpeedBracket with the open circle on the bracket adapter, then turn to line up the arrow with the closed circle.



- 2** Insert the SmartCable end with the locking tabs into the USB-C port on the riser and the other end into the phone.



- 3** Insert the phone in its bracket, with the adapter attached, into the riser. The adapter stem is keyed to prevent incorrect insertion.

Listen for the single beep, which indicates the device is properly inserted and locked down. The LED light will turn white.




Single beep signals position is locked down.

- 1** Tap an authorized VersaKey to unlock the position.



- 2** Lift the phone in its bracket out and disconnect the charging cable from the phone. Note that the phone can only be lifted while in portrait orientation.



 **The phone in its bracket can only be lifted in portrait orientation.**

- 3** Push the button on the back of the bracket adapter as you turn the adapter so that the arrow points to the open circle on the medallion.



- 4** Then, the adapter can be separated from the bracket. Follow normal steps for removing the SpeedBracket (loosen the 2 security screws on the back and slide out the arms).

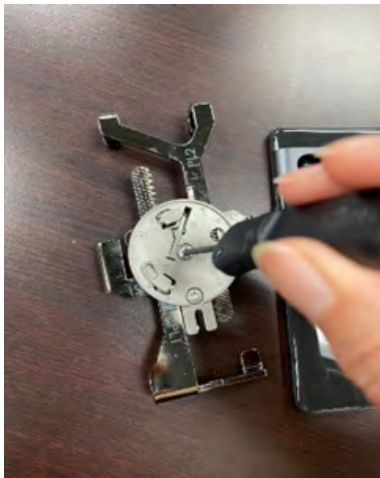


Occasionally, having the SpeedBracket medallion centered on the device may cover or partially cover a needed button on the edge of the phone. In those cases, the SpeedBracket can be offset on the device. The instructions below show the steps to offset up/ down. The same steps can be used to offset left/ right.

[Click Here for Video](#)



- 1** Using the Freedom Micro II tool, loosen the 2 security screws on the back of the medallion to loosen the bracket arms.



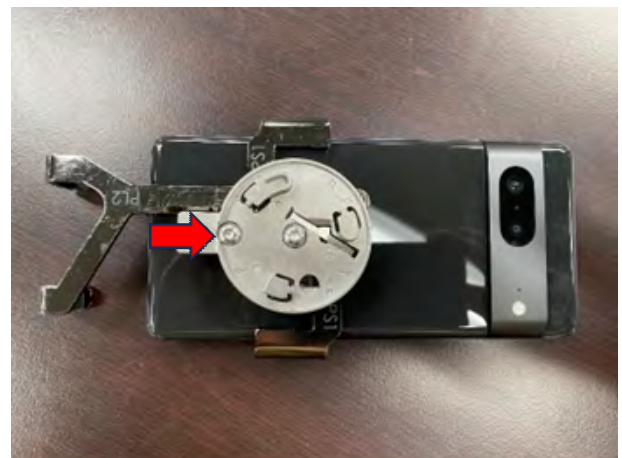
- 2** Slide the top (PL1) and bottom bracket (PL2) arms all the way out.



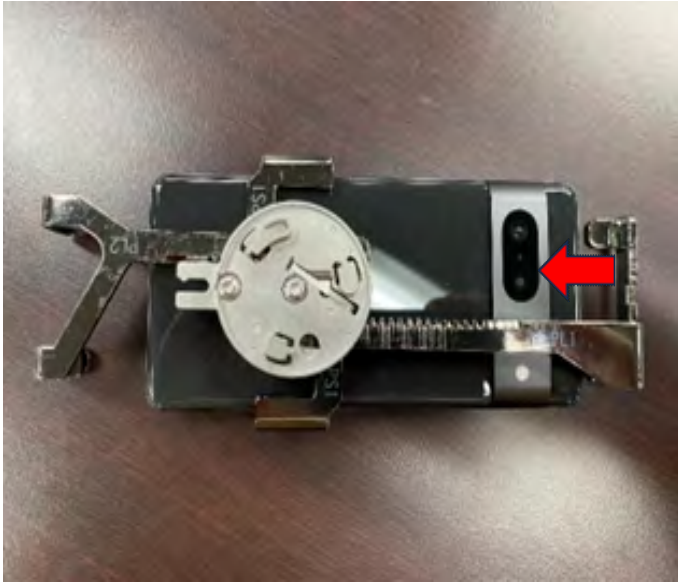
- 3** Place the side bracket arms (PS1) on the device, lining up with where they need to fit on the phone.



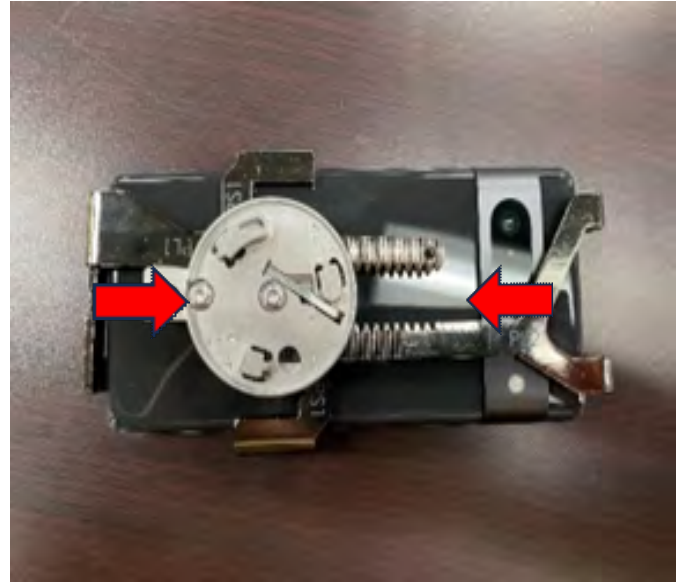
- 4** Slide in only the bottom bracket arm (PL2) part way, not all the way flush with the device.



5 Then, start to slide in the top bracket arm.



6 Slide both arms inwards and fit all bracket arms snugly around the device.

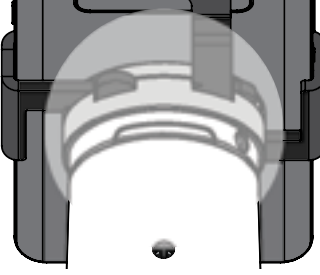
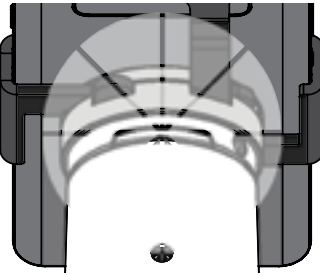
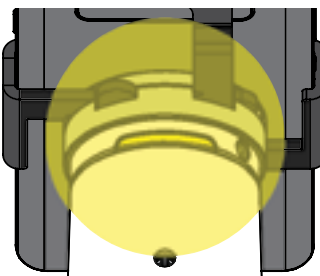
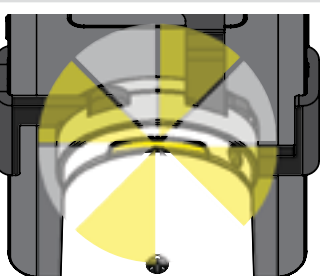
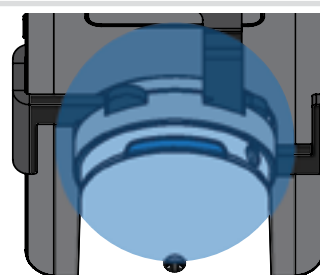
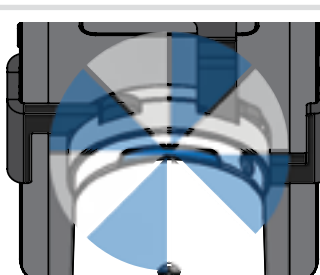


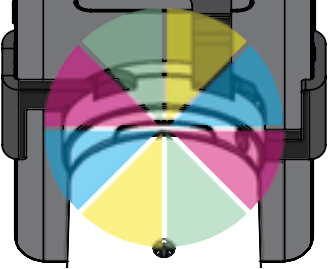
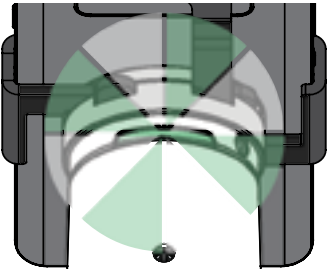
7 Make sure the bracket arms are not obstructing any needed buttons on the edge of the phone. If further adjustment is needed, repeat above steps until the bracket arms are lined up where they need to be.



8 Tighten the 2 security screws on the back.



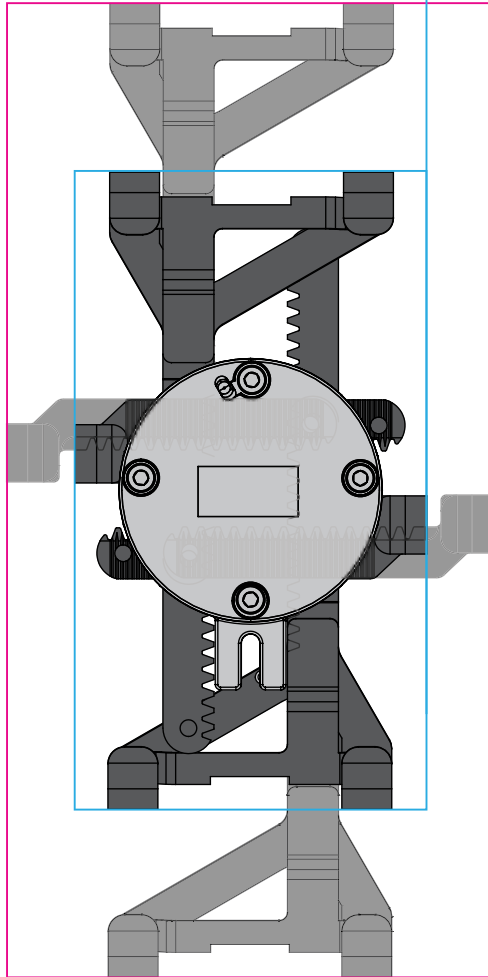
Visual Reference	System Status	Condition
	Solid White	Position is locked down.
	Double white flash every 8 seconds	Position is unlocked. The phone in its bracket can be lifted from the riser.
	Solid Yellow	<p>Position is locked down but has lost its network connection. Ensure the position is within range of the MTI Connect® Hub. Try network pairing again.</p> <p>*Only applicable when the position is being used with the MTI Wireless Network.</p>
	Flashing Yellow Every 5 Seconds	Position is unlocked. Position is NOT connected to a mesh network. Only applicable in Network Mode.
	Solid Blue	After tapping an authorization card: The position is in enrollment mode. Tap VersaKey™ to authorize them for use in standard mode. Enrollment mode closes automatically in 3 minutes.
	Flashing Blue	Position has entered network pairing mode. Stops upon successful pairing, or after 90 seconds.

Visual Reference	System Status	Condition
	<p>Multi-colored flash</p>	<p>Position has received an “identify” command from a user of the MTI Connect® software.</p>
	<p>Flashing Green</p>	<p>Position is disarmed in factory default mode. Complete the setup for Standard or Network mode to use VersaKey™ or MTI Connect®.</p> <p>Note: The position may automatically lock down while in this default mode, as long as all triggers are closed for 15 minutes. Once it locks down, the LED will turn solid white.</p>

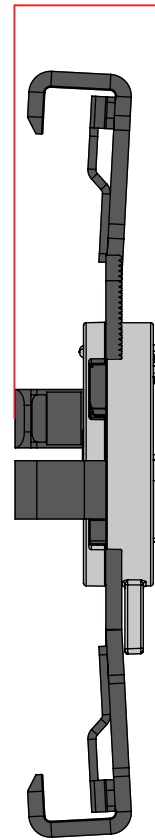
PHONE SPEEDBRACKET DIMENSIONS

MAXIMUM: 180mm H x 90mm W

MINIMUM: 118mm H x 65mm W



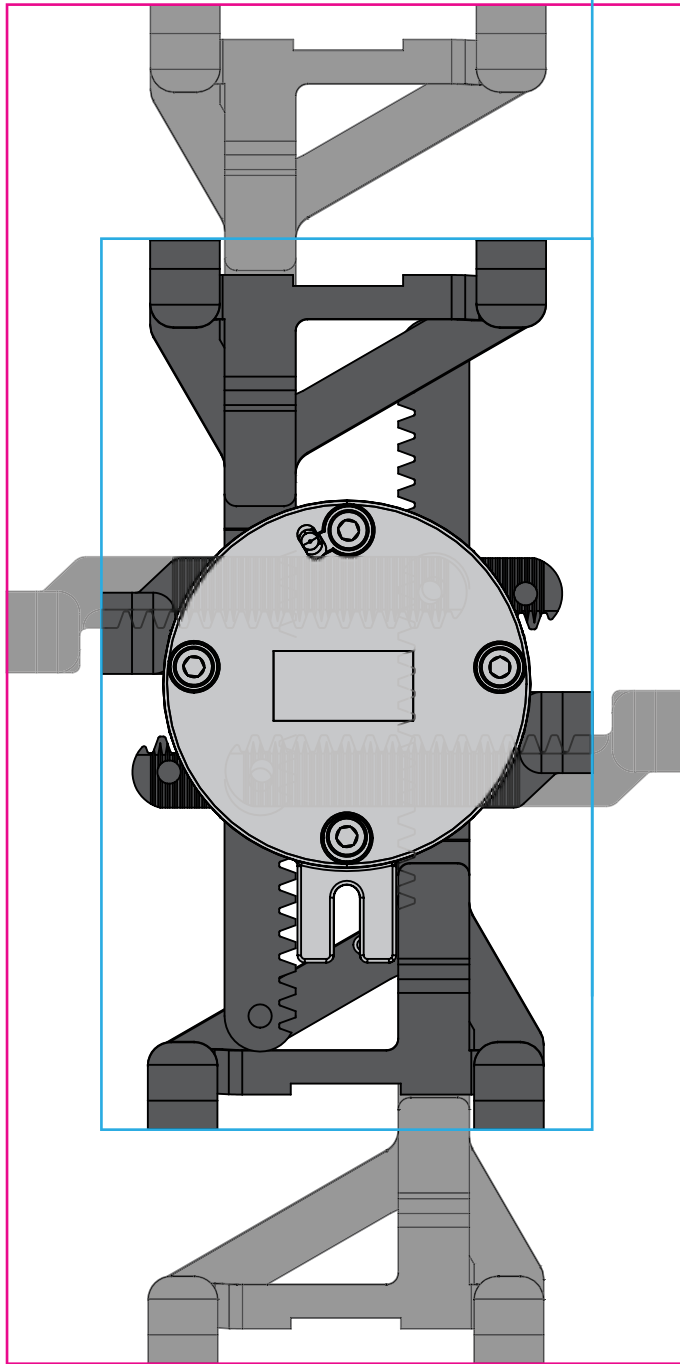
1.11"



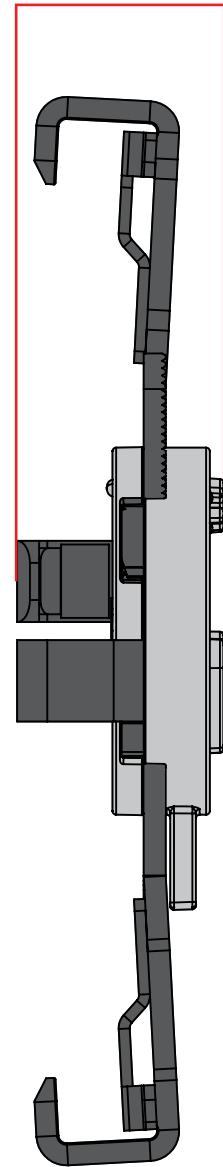
**Accommodates Phones
7-9mm Thick**

MAXIMUM: 275mm H x 185mm W

MINIMUM: 195mm H x 135mm W



1"



Accommodates Tablets
4 - 7mm Thick

Technical Data

Operating Temperature:	0°C to 40°C
Operating Frequency:	2405 MHz to 2480 MHz
Max Power:	Less than 4 dBm at 2.4 GHz

Operating Frequency:	125kHz
Max Power:	Less than 20 dBuA/m at 3m

données techniques

Température de fonctionnement :	0°C à 40°C
Fréquence de fonctionnement :	2405 MHz à 2480 MHz
Puissance maximale :	moins de 4 dBm à 2,4 GHz

Fréquence de fonctionnement :	125kHz
Puissance maximale :	moins de 20 dBuA/m à 3 m

Additional Safety Information

1. For indoor use only. The apparatus shall not be exposed to water.
2. No user replaceable parts inside; refer servicing to manufacturer or qualified service personnel.
3. Only use accessories specified by the manufacturer.
4. Do not expose to excessive heat sources.

Disposal: All electrical and electronic products including batteries should be disposed of separately from the municipal waste stream via designated collection facilities appointed by the government or the local authorities.

1. Pour une utilisation en intérieur uniquement. L'appareil ne doit pas être exposé à l'eau.
2. Aucune pièce remplaçable par l'utilisateur à l'intérieur ; confier l'entretien au fabricant ou personnel de service qualifié.
3. Utilisez uniquement les accessoires spécifiés par le fabricant.
4. Ne pas exposer à des sources de chaleur excessives.

Élimination : Tous les produits électriques et électroniques, y compris les batteries, doivent être éliminés séparément du flux de déchets municipaux via des centres de collecte désignés par le gouvernement ou les autorités locales.