

Product Manual for FREEDOM MICRO® II PowerPro and MICRO® II HS POWER

Contents

1.	Components And Accessories	2
2.	Baseplate Options	3
3.	Speedplate™ Merchandising	5
4.	Speedbracket™ Merchandising	8
5.	Speedbracket™ Offsetting	11
6.	SmartCable™ Merchandising	13
7.	Technical Data	14

DO NOT REMOVE FROM STORE

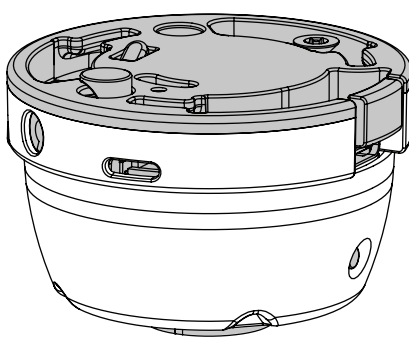
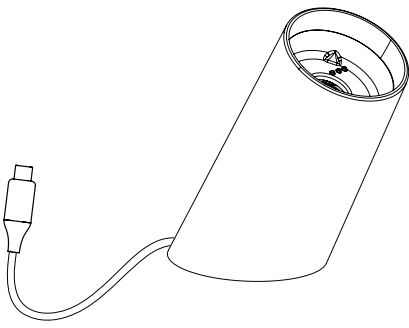
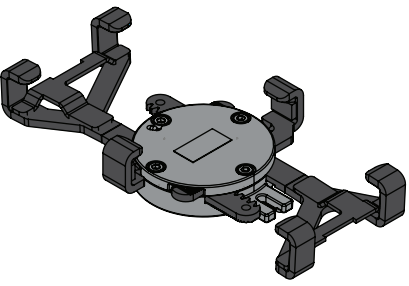


**For additional support, please reach out to our
Contact Center at 800-426-6844**

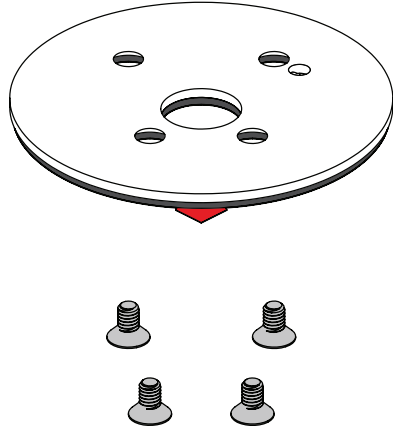
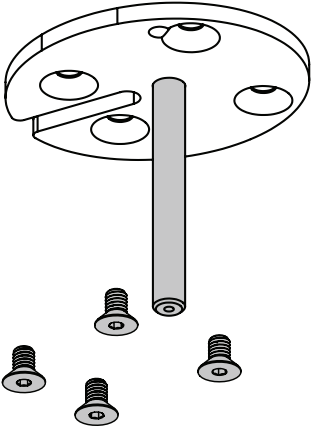
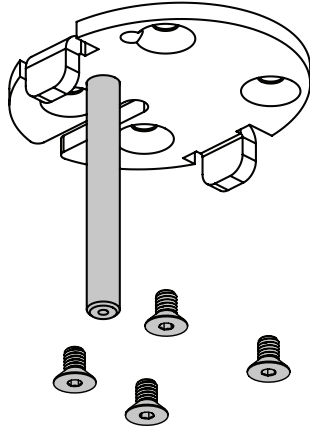


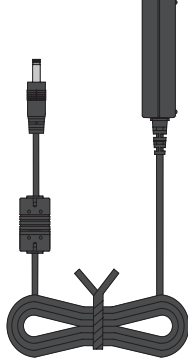

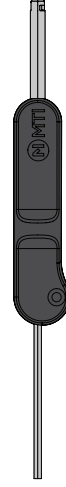

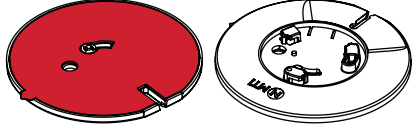
WARNING: MTI products contains chemicals known to the State of California to cause cancer and birth defects or other reproductive harm. Proposition 65, California Health & Safety Code Section 25249.6 et seq. Visit oehha.ca.gov for more information.



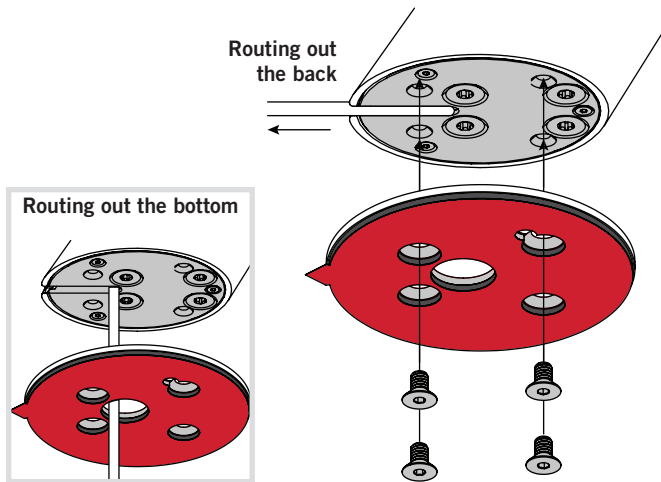
Freedom Micro® II Puck	Freedom Micro® II Riser	SpeedBracket™
		

Mounting Options

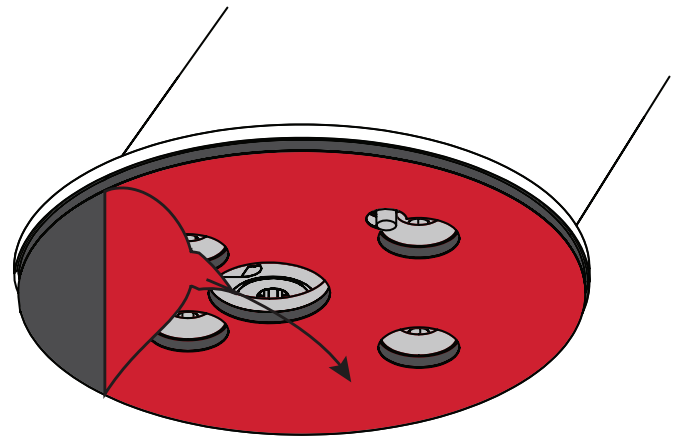
VHB Mounting	Through Hole Mounting	Slot Mounting
		

Power Supply	Freedom Micro® II Tool	SpeedPlate™ Options
 <p data-bbox="105 1795 170 1848"></p> <p data-bbox="170 1858 544 1890">Only use USB-C standard power supply</p> 		<p data-bbox="1266 1522 1356 1554">Phones</p>  <p data-bbox="1266 1701 1356 1732">Tablets</p> 

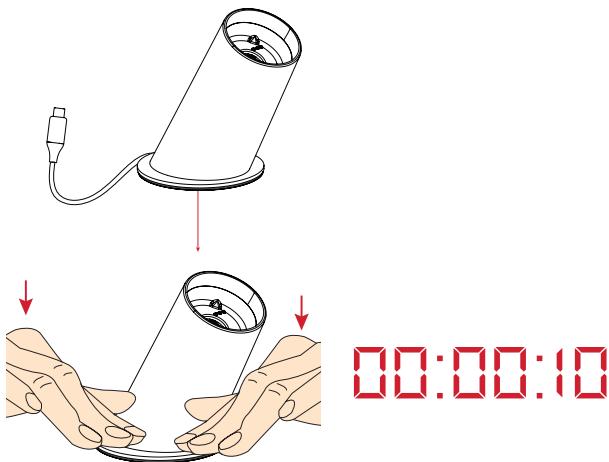
1 Route the cable as desired and attach the baseplate with the included screws.



2 Peel the red film from the adhesive.

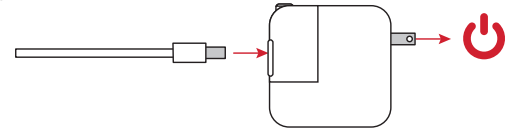


3 Place Micro position in desired location. Press down on the base plate for 10 seconds for full adhesive contact. Allow 24 hours for full adhesion.



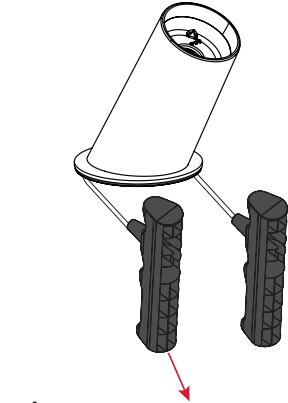
4 Use the individual power supply and plug it into the nearest outlet. The socket-outlet shall be installed near the equipment and shall be easily accessible.

Utilisez l'alimentation individuelle et branchez-la dans la prise la plus proche. La prise de courant doit être installée à proximité de l'équipement et doit être facilement accessible.



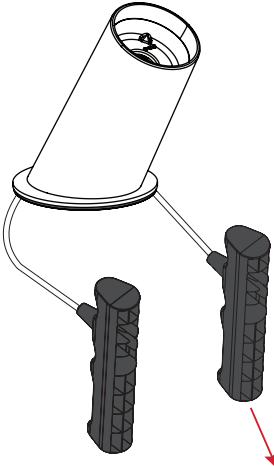
ADHESIVE POSITION REMOVAL

1

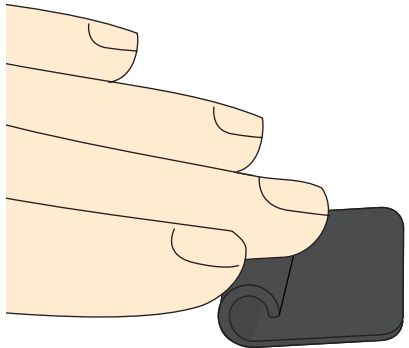


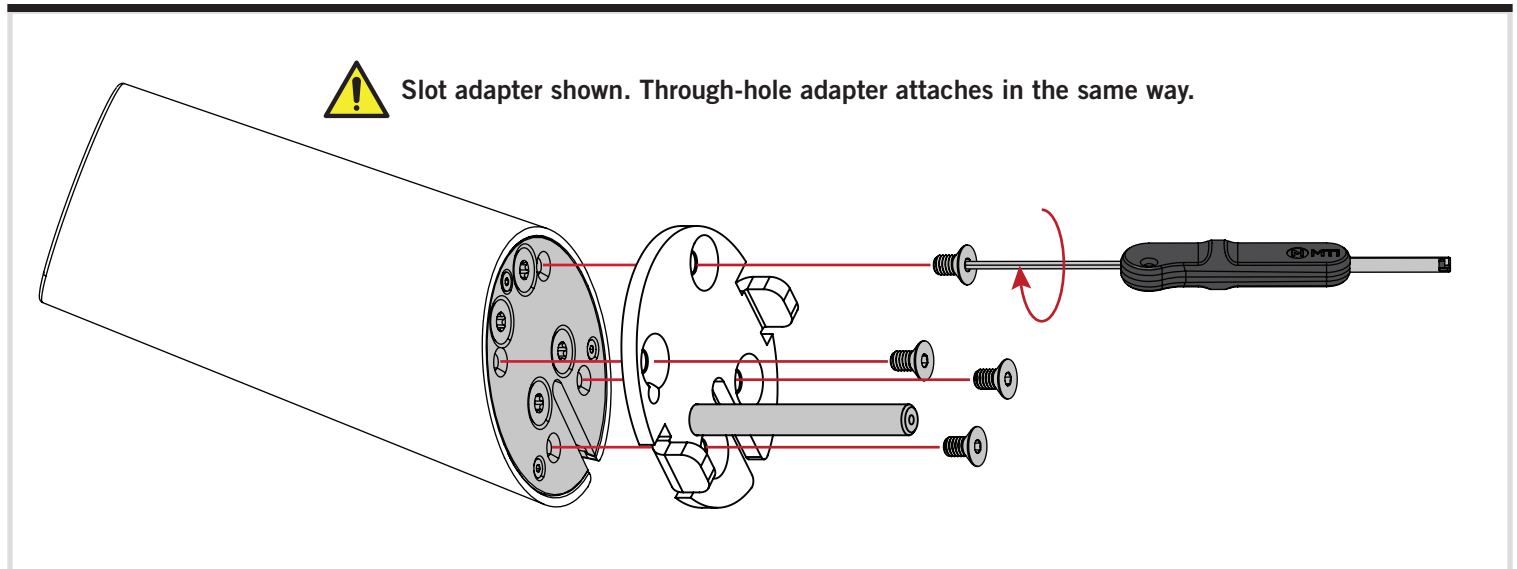
Do not cut power cable.

2



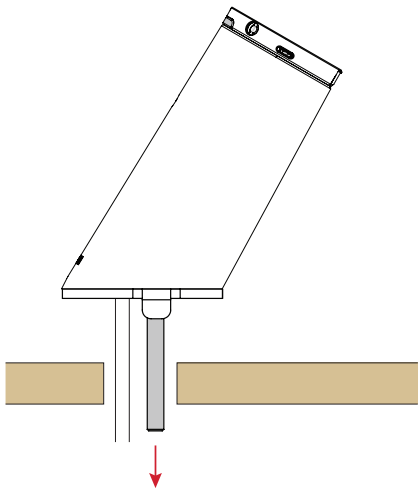
3



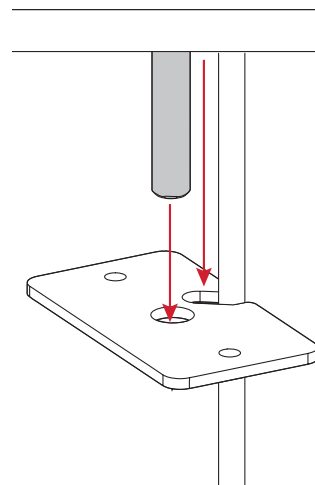


MOUNTING SLOT & THROUGH-HOLE ADAPTERS

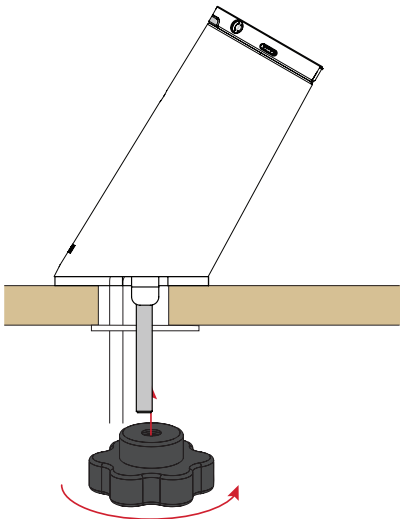
- 1** Insert the Freedom Micro® II position into the slot or hole.



- 2** Place the power cable into the slot on the bottom plate, then slide it up over the slot adapter post.

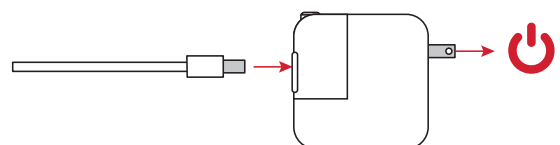


- 3** Secure the Freedom Micro® II position with the knob.

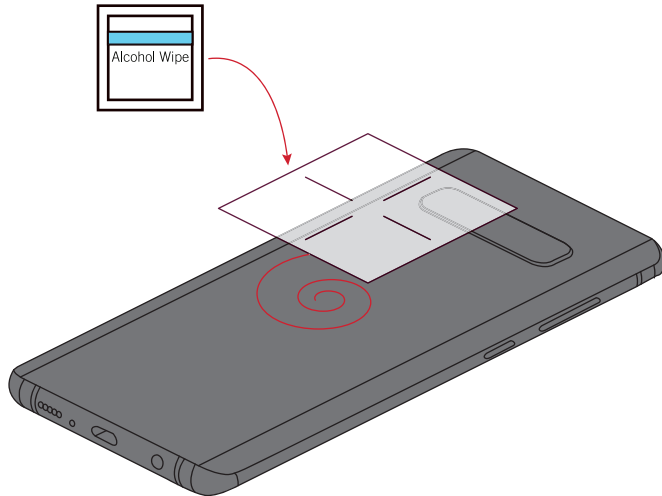


- 4** Use the individual power supply and plug it into the nearest outlet. Use an outlet installed near the equipment that is easily accessible.

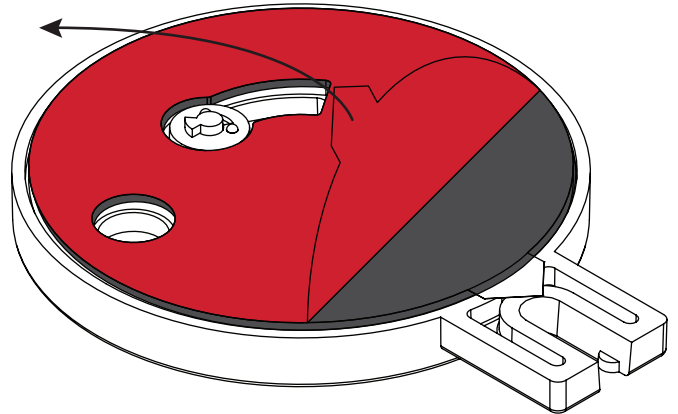
Utilisez l'alimentation individuelle et branchez-la dans la prise la plus proche. La prise de courant doit être installée à proximité de l'équipement et doit être facilement accessible.



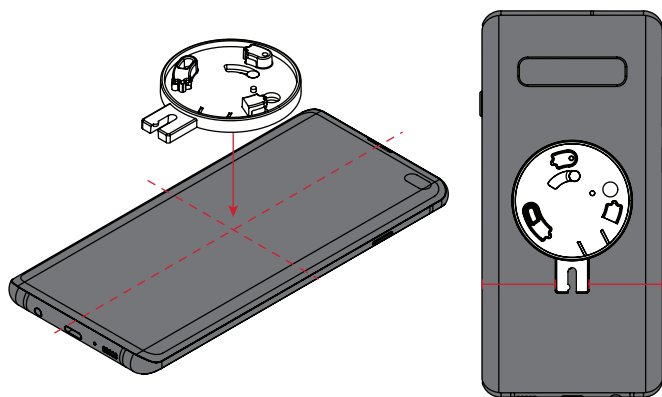
1 Clean the device with an alcohol wipe.



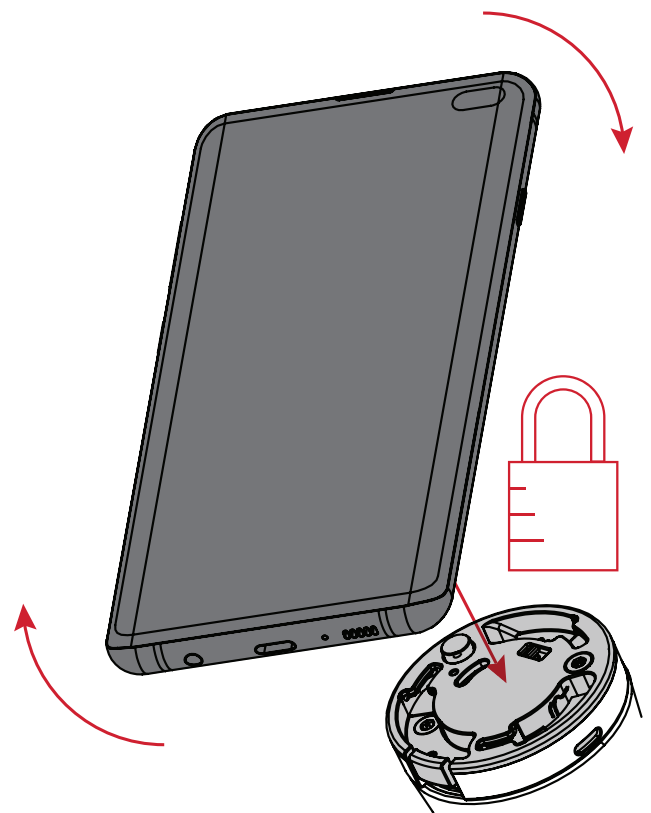
2 Peel red backing off of the adhesive on the SpeedPlate™.



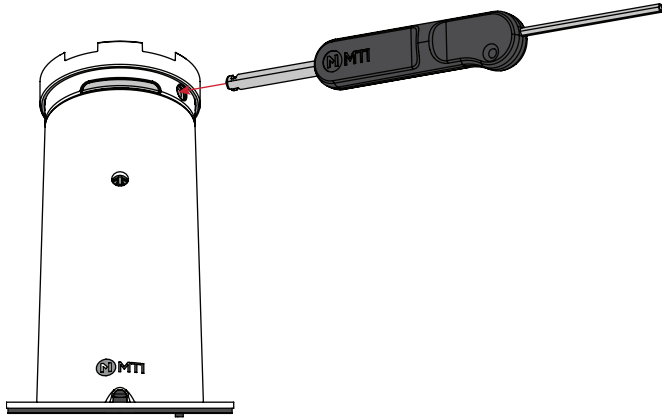
3 Apply the SpeedPlate™ to the phone, with the cable retainer towards the charge port of the phone. Use the SpeedPlate cable retainer as alignment reference. Apply firm pressure against the SpeedPlate to the phone for a minimum of 10 seconds.



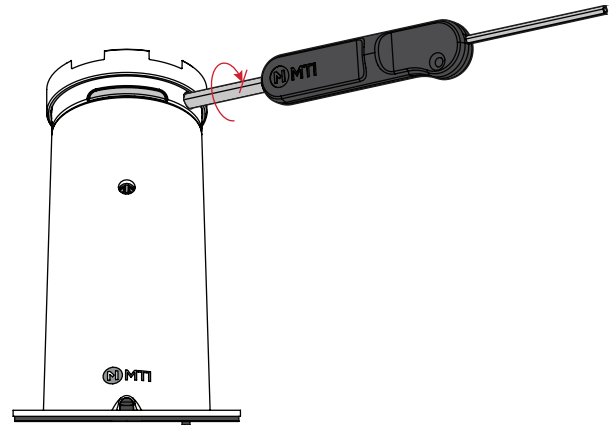
4 Place the device onto the puck and rotate the device clockwise on the puck until it locks into place.



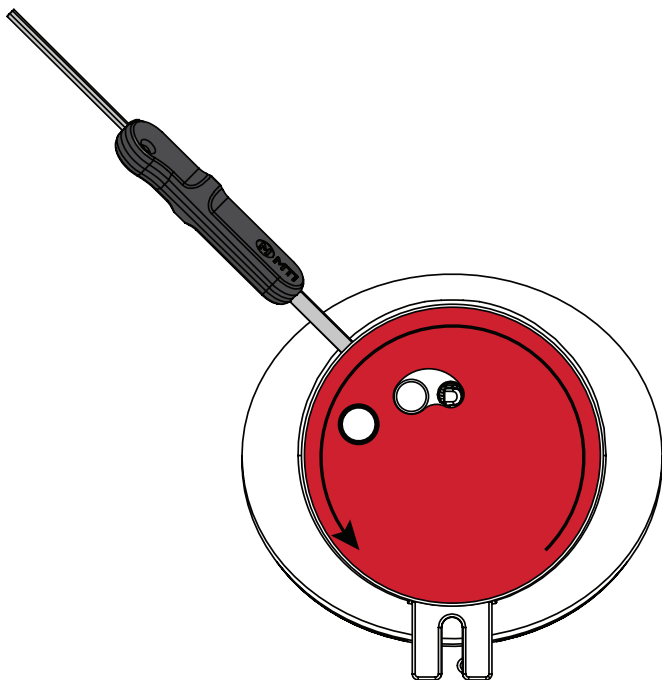
- 1** Insert the crescent end of the Freedom Micro® II tool into the opening to the right of the LED.



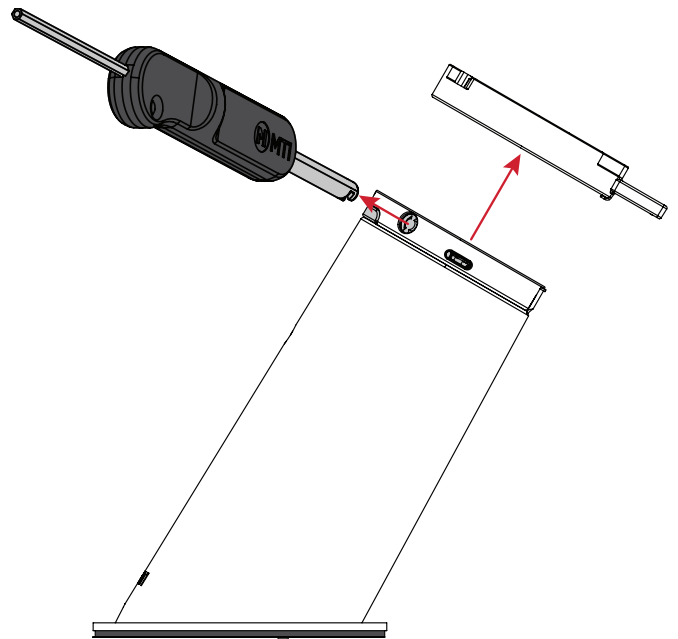
- 2** Twist the Freedom Micro® II tool clockwise 45 degrees and hold it in place.



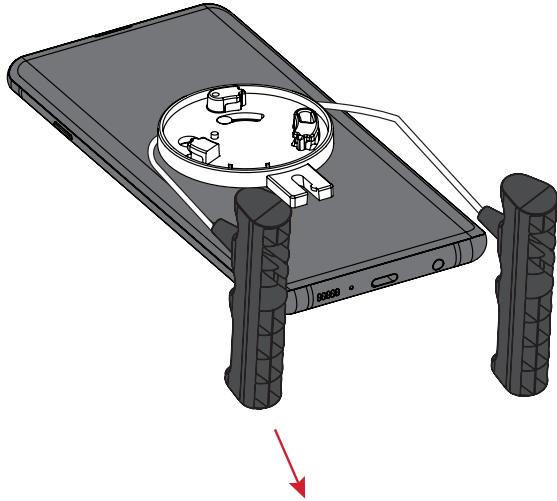
- 3** With the Freedom Micro® II tool held in the twisted position, rotate the SpeedPlate™ counterclockwise.



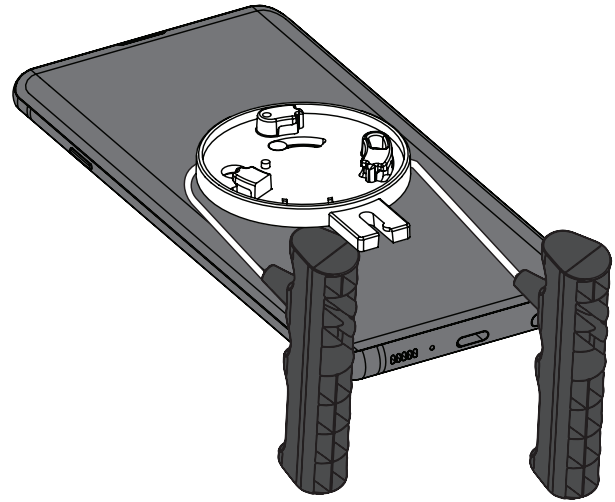
- 4** Remove the SpeedPlate™ from the Freedom Micro® II Puck, then release and remove the Freedom Micro® II tool.



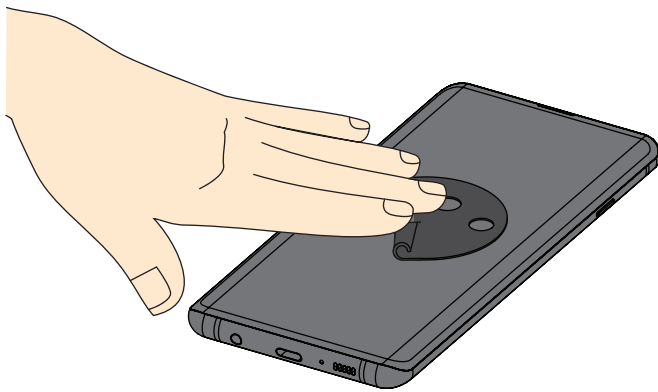
1 Place the VHB removal tool around the SpeedPlate™,



2 Pull the tool, working it back and forth like a saw, until the SpeedPlate™ comes off the device

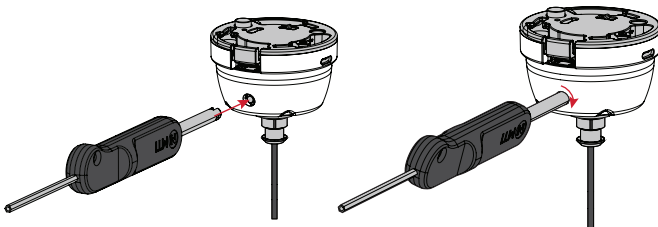


3 Roll any remaining adhesive off of the device.

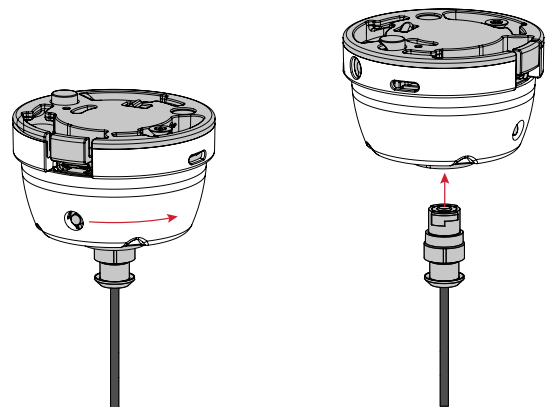


REMOVING PUCK FROM TETHER - (Applies to Micro II Power, Micro II HS Power)

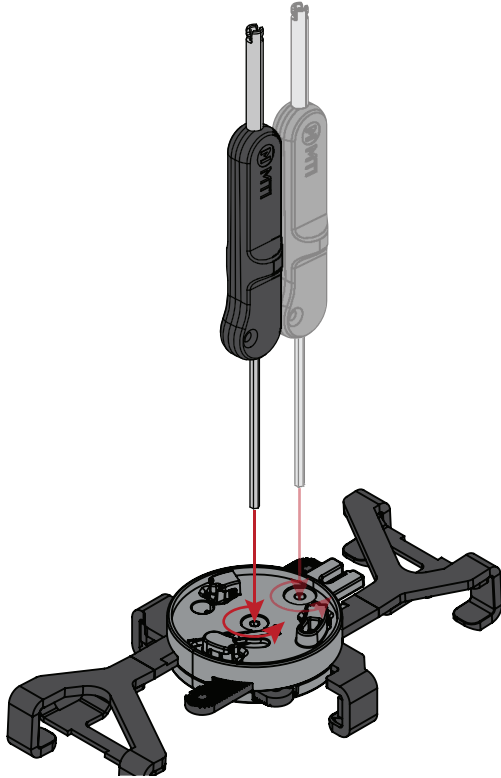
1 Lift puck out of riser, insert the crescent end of the Freedom Micro II tool into the opening below the charge port on the puck. Twist the Freedom Micro II tool counterclockwise to unlock the puck from the tether.



2 Once the puck is loose, rotate the puck 45 degrees counterclockwise in relation to the tether. Lift the puck off of tether connection.

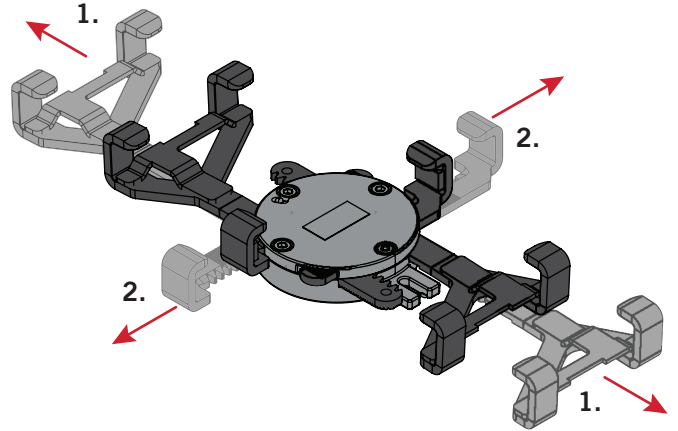


- 1** Loosen the arm locking security screws on the universal bracket to loosen the bracket arms.



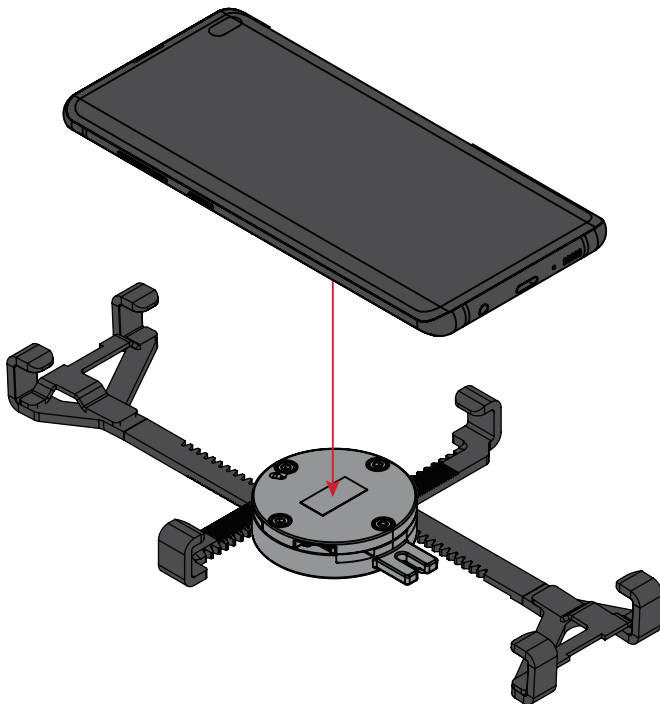
Some brackets may only have center locking screw

- 2** Extend the bracket arms as far as needed. The bracket arms move simultaneously in pairs (top & bottom, and left & right).



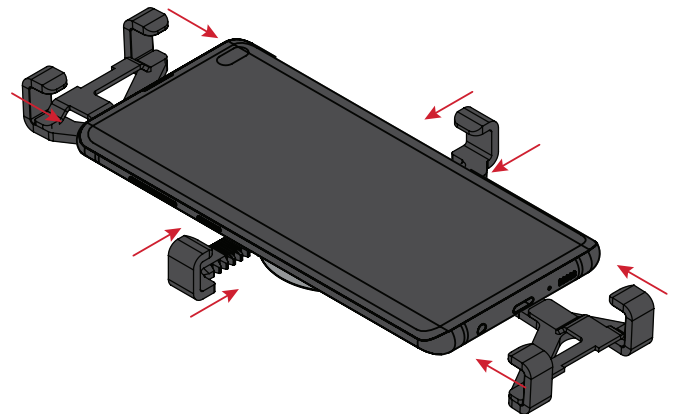
Open the top and bottom bracket arms, then the side arms, in that order.

- 3** Place the phone into the universal bracket.

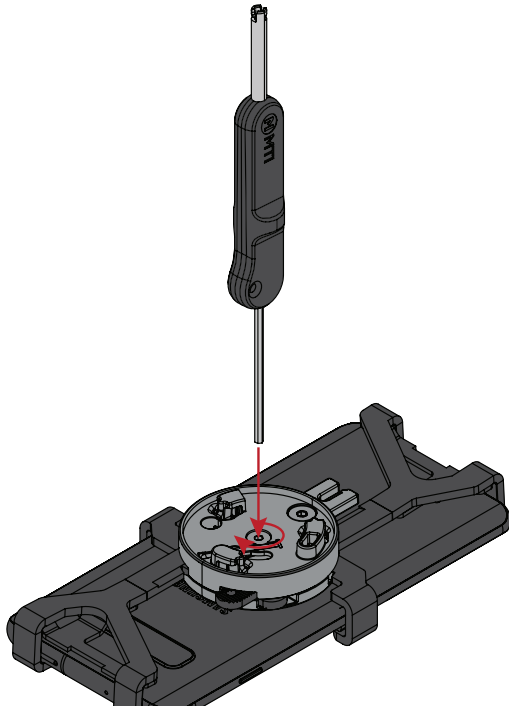


Charge port of phone should face towards cable clip on SpeedBracket

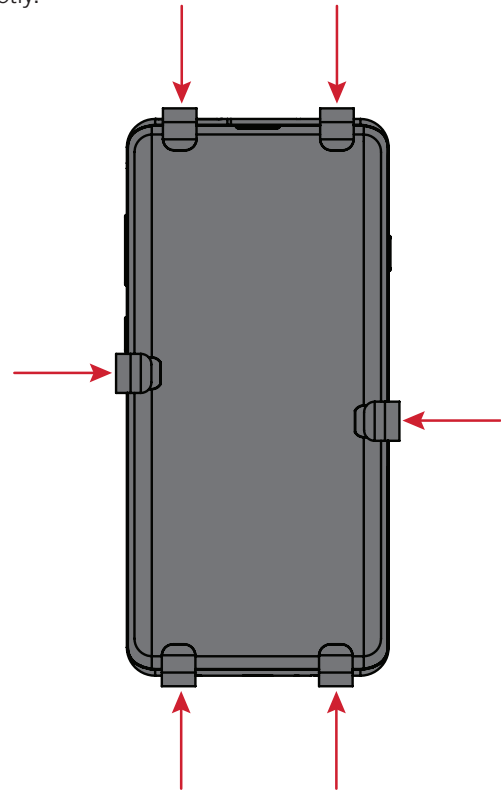
- 4** Adjust the universal bracket to fit the device snugly.



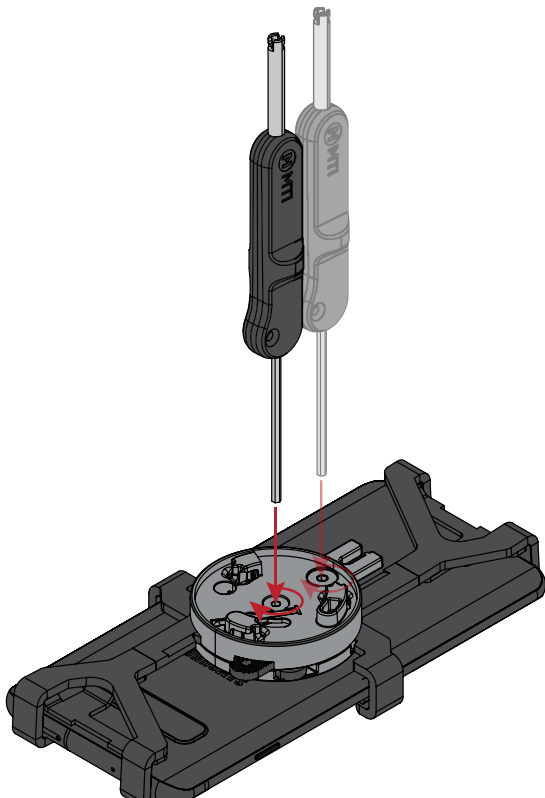
5 Tighten center locking security screw on the SpeedBracket™ to secure the bracket arms in place around the device. After tightening screws, wiggle the arms to ensure they have fully engaged the lock teeth.



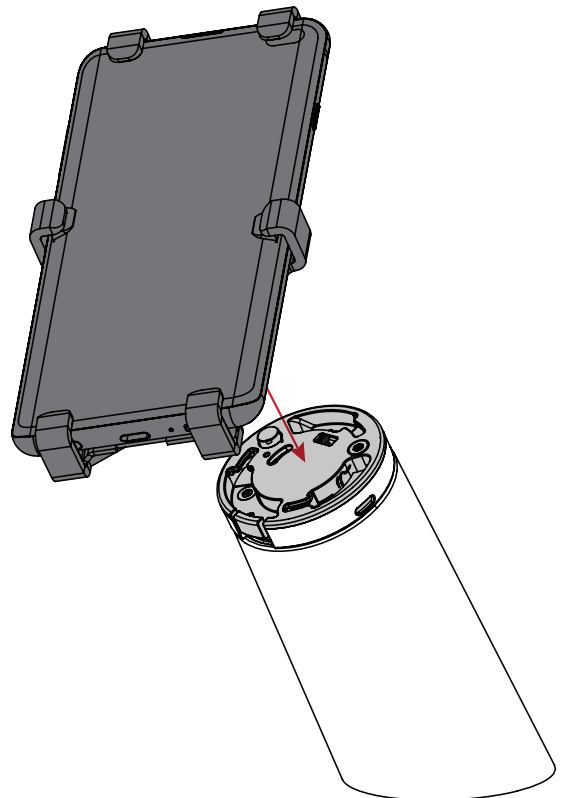
6 Place pressure on the top/bottom and the sides to try and move arms. This is to find if the arms did not seat correctly.



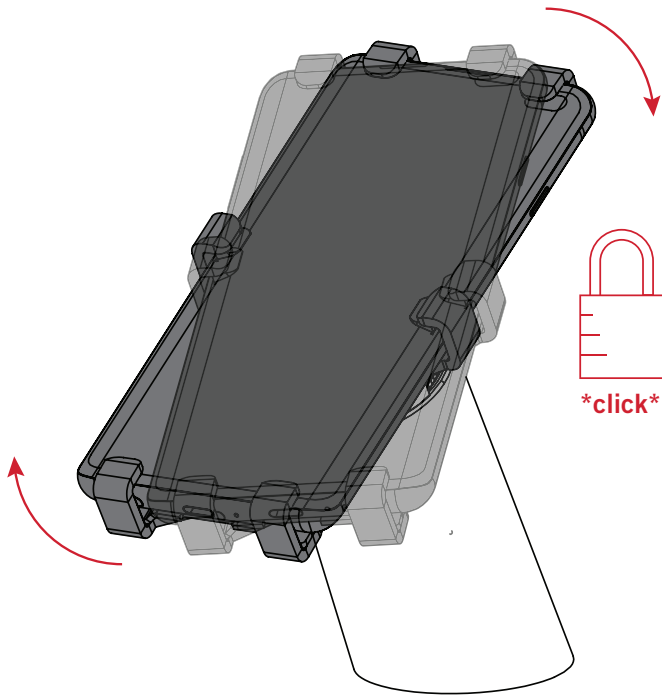
7 Tighten center screw again until tight. Tighten the other bracket security screw for additional security.



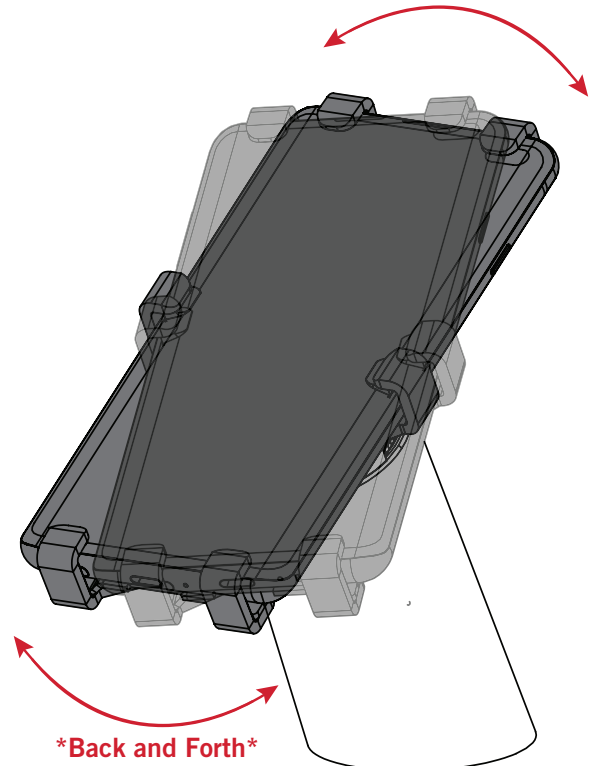
8 Place device back onto puck.



9 Rotate the device and bracket clockwise on the puck until it locks into place.



10 Grab the exposed portion of the puck with your thumb and forefinger. Move the phone back and forth to checking to ensure the bracket locked in place.



Occasionally, having the SpeedBracket medallion centered on the device may cover or partially cover a needed button on the edge of the phone. In those cases, the SpeedBracket can be offset on the device. The instructions below show the steps to offset up/ down. The same steps can be used to offset left/ right.

[Click Here for Video](#)



- 1** Using the Freedom Micro II tool, loosen the 2 security screws on the back of the medallion to loosen the bracket arms.



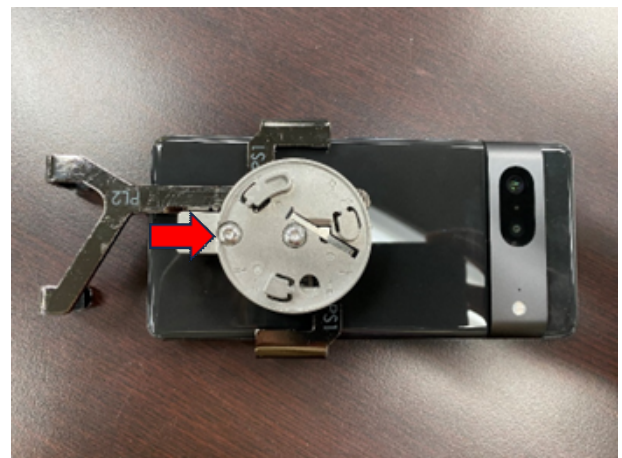
- 2** Slide the top (PL1) and bottom bracket (PL2) arms all the way out.



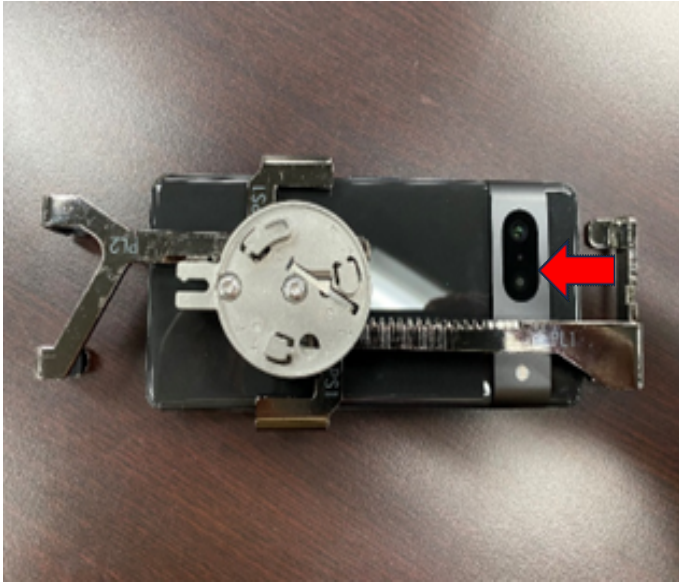
- 3** Place the side bracket arms (PS1) on the device, lining up with where they need to fit on the phone.



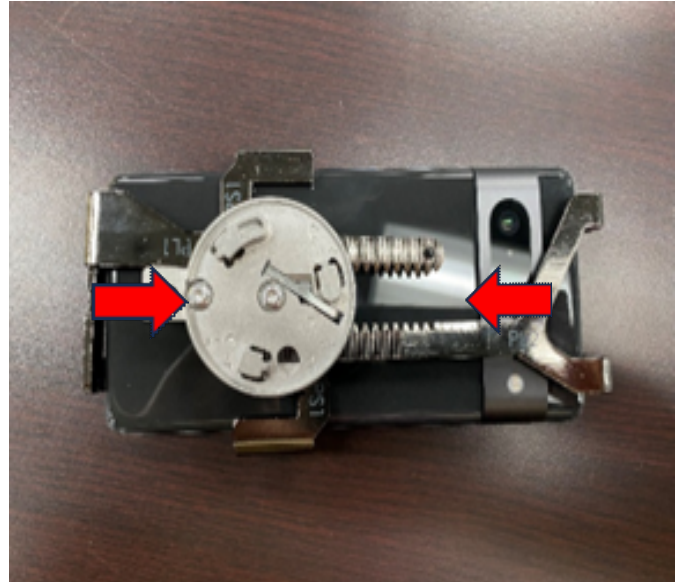
- 4** Slide in only the bottom bracket arm (PL2) part way, not all the way flush with the device.



5 Then, start to slide in the top bracket arm.



6 Slide both arms inwards and fit all bracket arms snugly around the device.



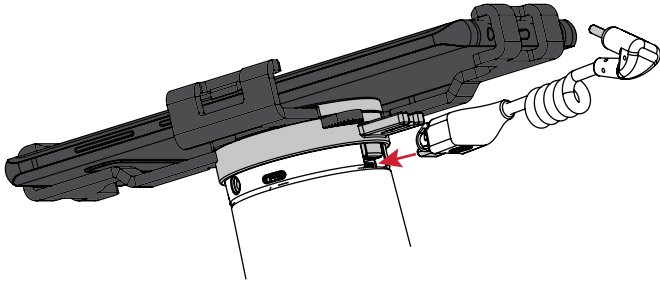
7 Make sure the bracket arms are not obstructing any needed buttons on the edge of the phone. If further adjustment is needed, repeat above steps until the bracket arms are lined up where they need to be.



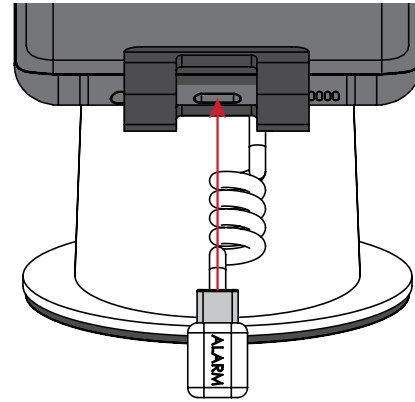
8 Tighten the 2 security screws on the back.



- 1** Insert SmartCable into the charge port on the puck. The hooks on cable should click when fully seated.

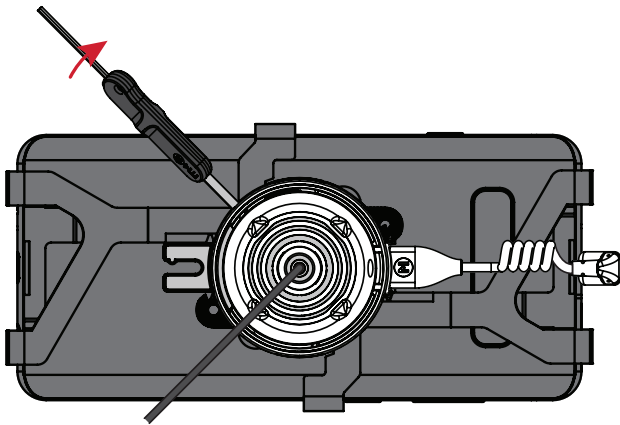


- 2** Plug SmartCable into the charge port of the device. LED on back of puck will illuminate solid white when plugged in.

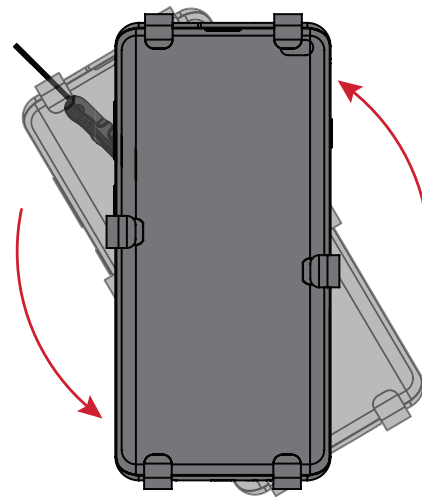


REMOVING SMARTCABLE

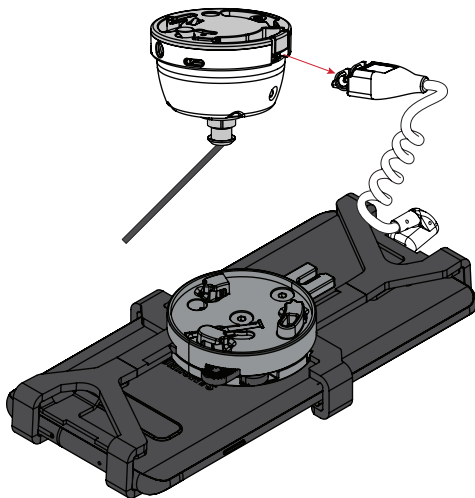
- 1** Insert the crescent end of the Freedom Micro II tool into the opening to the right of the LED. Twist the Freedom Micro II tool clockwise 45 degrees and hold it in place.



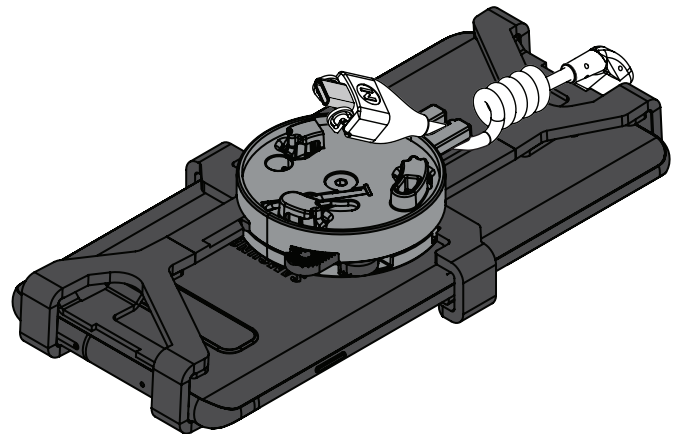
- 2** Twist the device and bracket off of the position.



- 3** Remove the SmartCable from the puck.



- 4** The loose cable can be clipped into SpeedBracket™ for easy storage.



Technical Data

Operating Temperature:	0°C to 40°C
Operating Frequency:	2405 MHz to 2480 MHz
Max Power:	Less than 4 dBm at 2.4 GHz
Operating Frequency:	125kHz
Max Power:	Less than 20 dBuA/m at 3m

données techniques

Température de fonctionnement :	0°C à 40°C
Fréquence de fonctionnement :	2405 MHz à 2480 MHz
Puissance maximale :	moins de 4 dBm à 2,4 GHz
Fréquence de fonctionnement :	125kHz
Puissance maximale :	moins de 20 dBuA/m à 3 m

Low Battery Indicator:

The puck features a low battery indicator to let you know when it's time to replace the battery.

1. Beeping on Pickup:

If the puck emits a single beep when you lift it off the riser, the battery is running low. Replace the battery at your earliest convenience to avoid security risk.

2. Beeping and LED Flashing:

If the puck beeps and its LED flashes red, green, and blue after you place it back in the riser, the battery is completely dead and unusable. Replace the battery immediately.

Additional Safety Information

1. For indoor use only. The apparatus shall not be exposed to water.
2. No user replaceable parts inside; refer servicing to manufacturer or qualified service personnel.
3. Only use accessories specified by the manufacturer.
4. Do not expose to excessive heat sources.

Disposal: All electrical and electronic products including batteries should be disposed of separately from the municipal waste stream via designated collection facilities appointed by the government or the local authorities.

1. Pour une utilisation en intérieur uniquement. L'appareil ne doit pas être exposé à l'eau.
2. Aucune pièce remplaçable par l'utilisateur à l'intérieur ; confier l'entretien au fabricant ou personnel de service qualifié.
3. Utilisez uniquement les accessoires spécifiés par le fabricant.
4. Ne pas exposer à des sources de chaleur excessives.

Élimination : Tous les produits électriques et électroniques, y compris les batteries, doivent être éliminés séparément du flux de déchets municipaux via des centres de collecte désignés par le gouvernement ou les autorités locales.