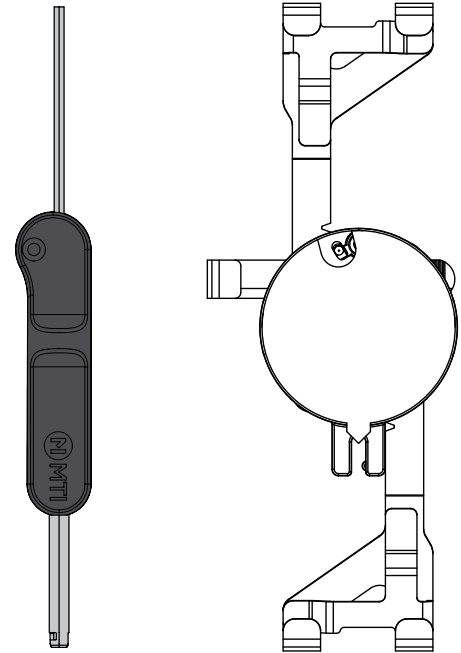
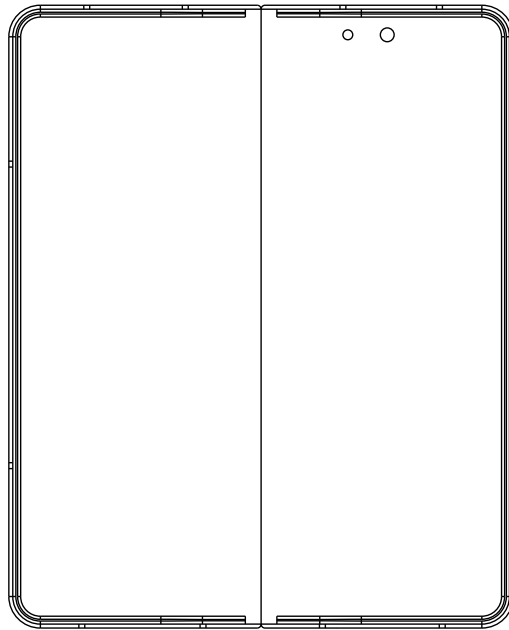


Additional Required Item:

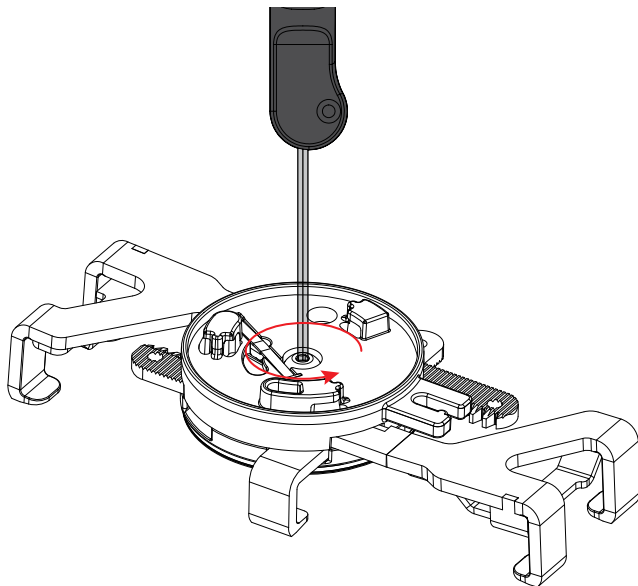
- MTI Retail Tool
003-00036
- Alcohol Pad
- SpeedBracket for
Fold1-4 Phone
165-01277



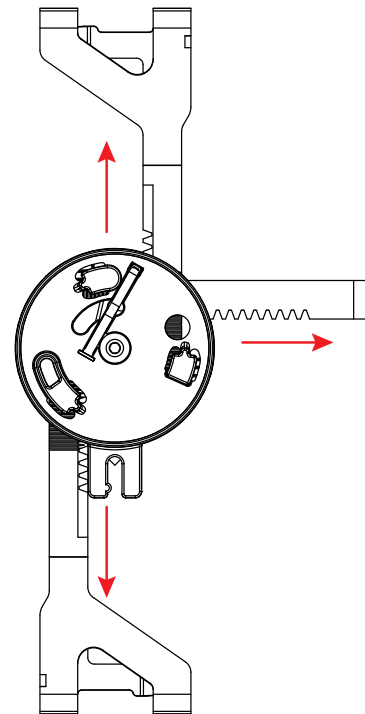
MTI Retail Tool

BRACKET INSTALLATION

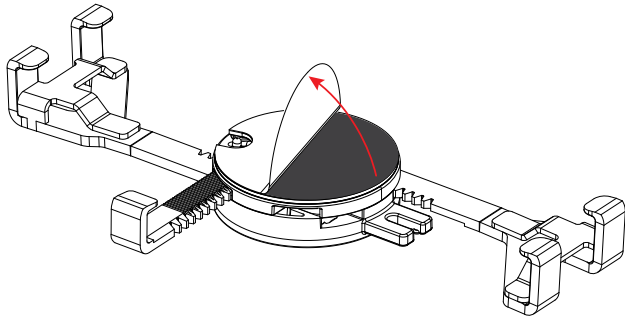
- 1** Prepare bracket by loosening screw on back of bracket hub.



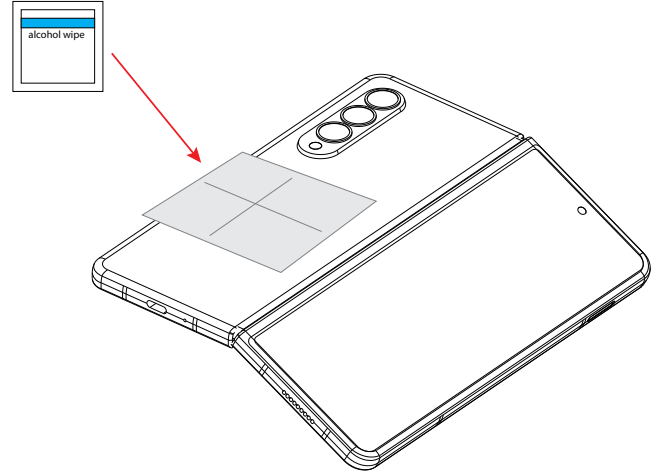
- 2** Extend arms out. Avoid pulling arms out of hub completely.



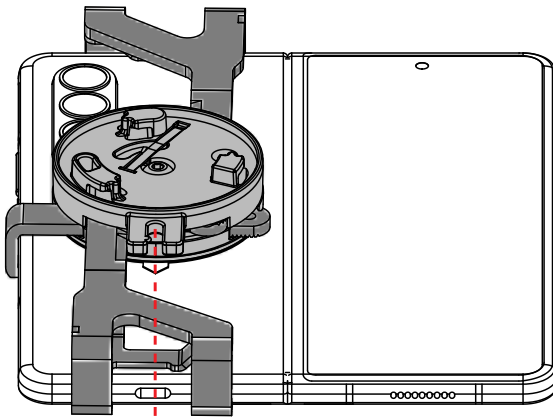
3 Peel paper liner from VHB on phone adapter.





4 Clean phone with alcohol wipe.

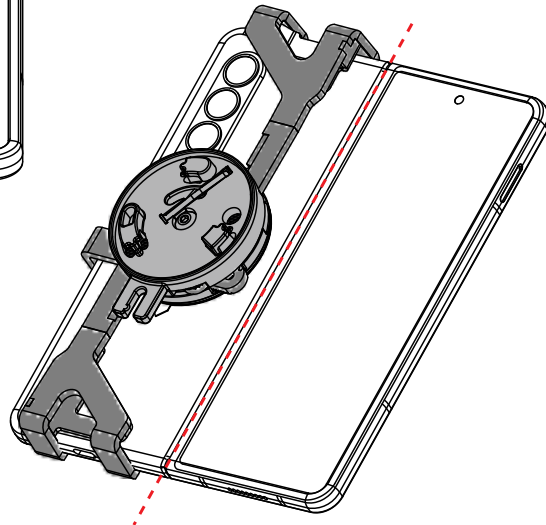


5 Apply phone, centering hub on camera half of the phone. Center vertically and horizontally. Cable clip on hub should be facing charge port on phone. Apply pressure on hub to ensure VHB adhesion.

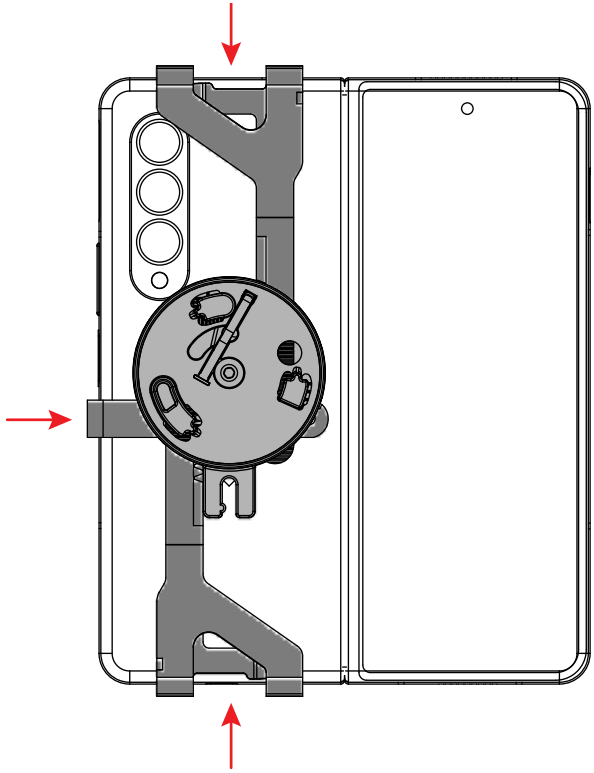


 Cable clip and charge port should align

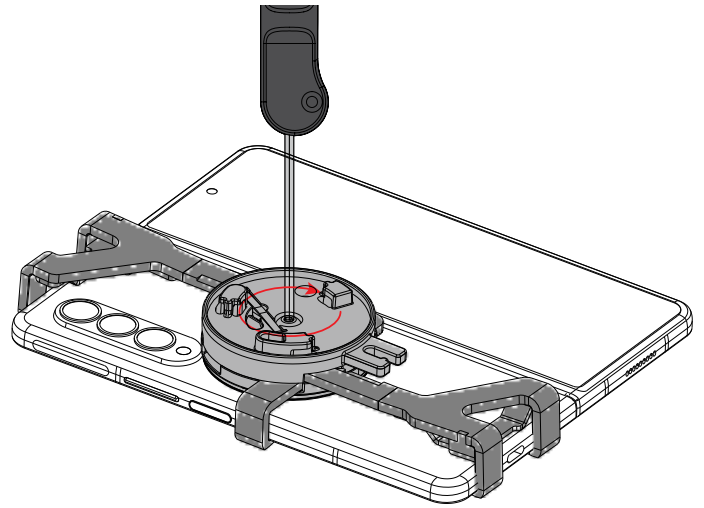
 Ensure bracket arms do not cover phone hinge area



6 Squeeze bracket arms tightly together.



7 Tighten center hub screw to retain arms.



8 Attach to Micro II position.

