

Product Manual for **FREEDOM MICRO® II** High Security Mechanical

Contents

1.	Components And Accessories	2
2.	Baseplate Options	3
3.	Mounting Riser to Fixture	4
4.	Speedbracket™ Merchandising	5
5.	Speedbracket™ Offsetting	8
6.	Speedbracket™ Removal	10
7.	Removing OEM power Cable	11
8.	Dimensions	11

DO NOT REMOVE FROM STORE



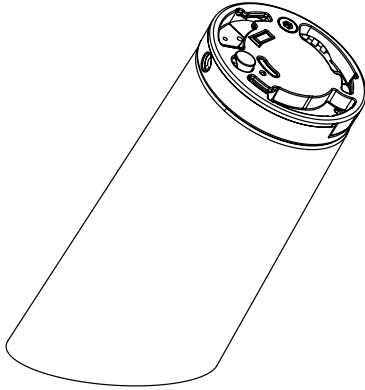
**For additional support, please reach out to our
Contact Center at 800-426-6844**



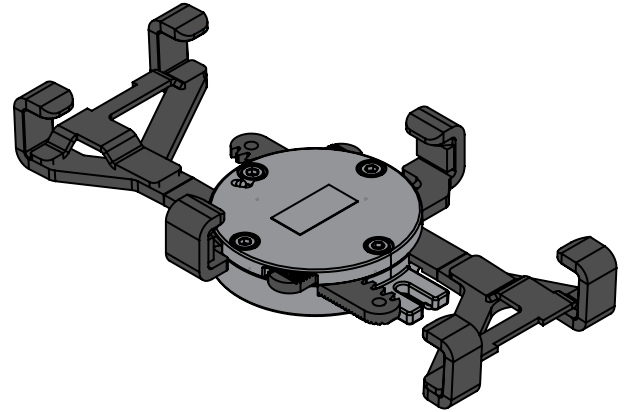
WARNING: MTI products contains chemicals known to the State of California to cause cancer and birth defects or other reproductive harm. Proposition 65, California Health & Safety Code Section 25249.6 et seq. Visit oehha.ca.gov for more information.



Freedom Micro® II Mechanical High Security Riser and Puck

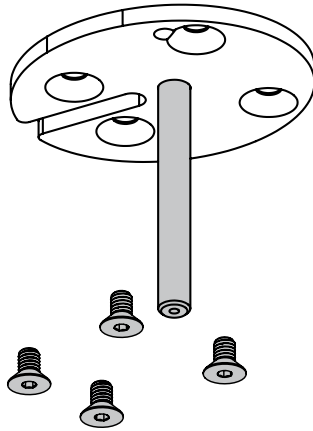


SpeedBracket™

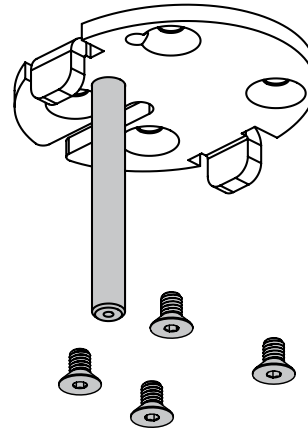


Mounting Options

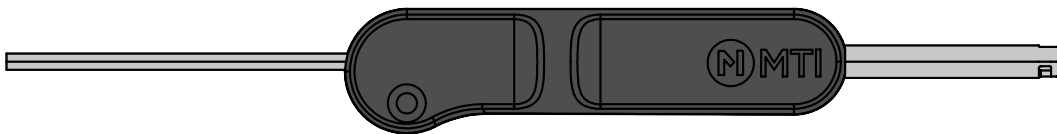
Through Hole Mounting



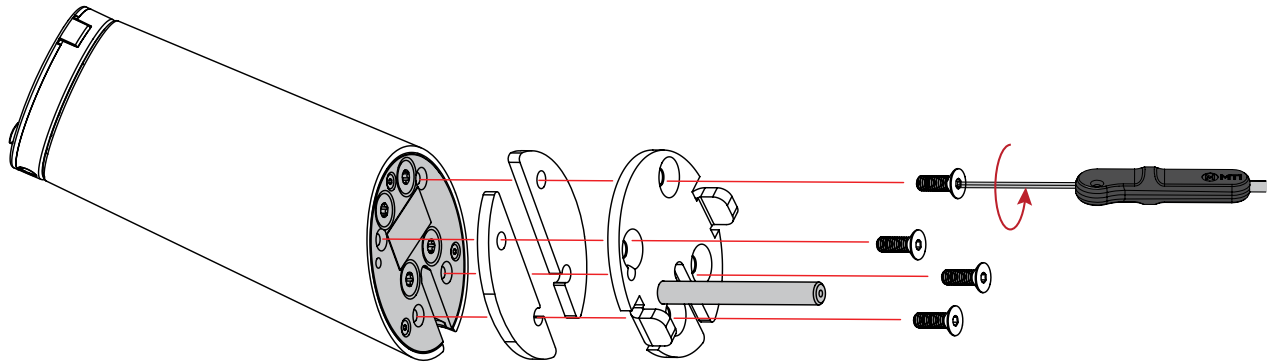
Slot Mounting



Freedom Micro® II Tool

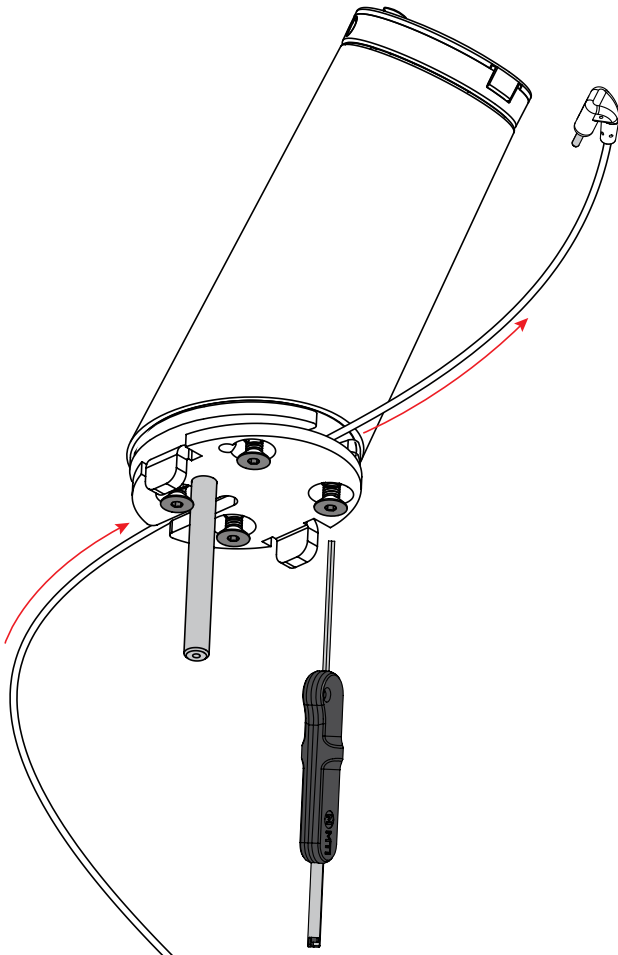


- 1** Riser, spacers, and baseplate come pre-assembled as shown. Upon opening the box, loosen all four screws 3-4 turns to route OEM power cable in next step.

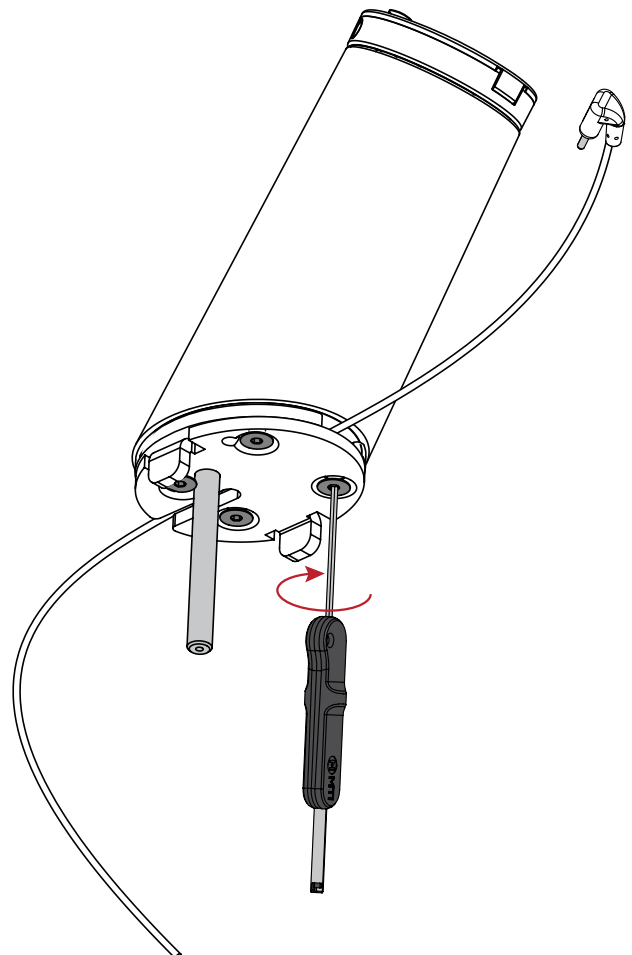


 Slot adapter shown. Through-hole adapter attaches in the same way.

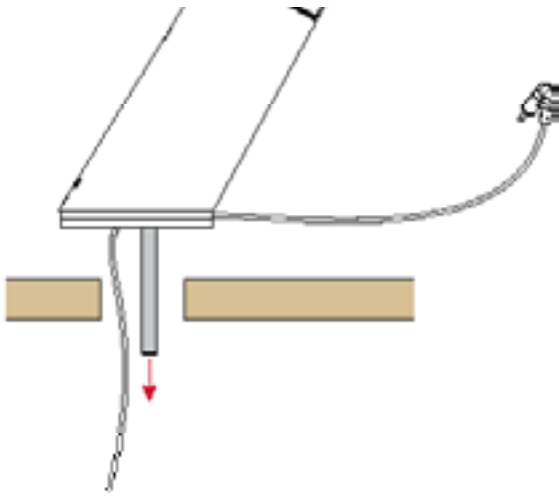
- 2** Feed OEM power cable included with device through cable channel between the riser and baseplate. Cable should be routed such that the device end of the cable is inserted to the back of the riser and exits from the front of the riser.



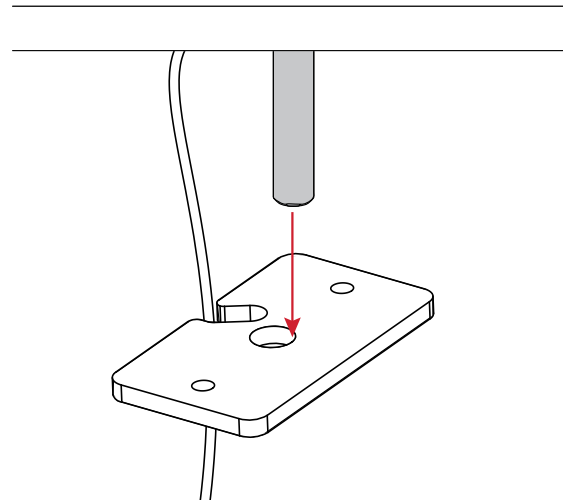
- 3** Tighten all four baseplate screws after routing OEM power cable.



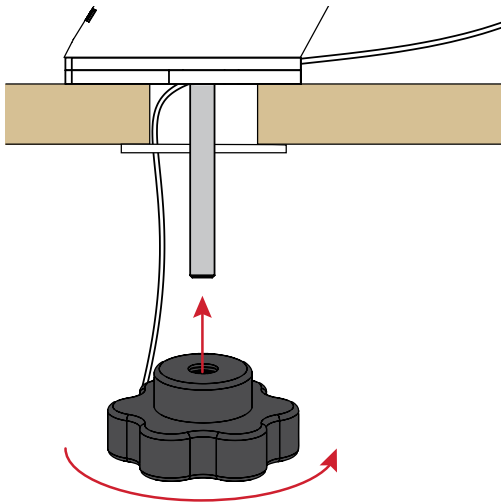
- 1** Insert the Freedom Micro® II position into the slot or hole.



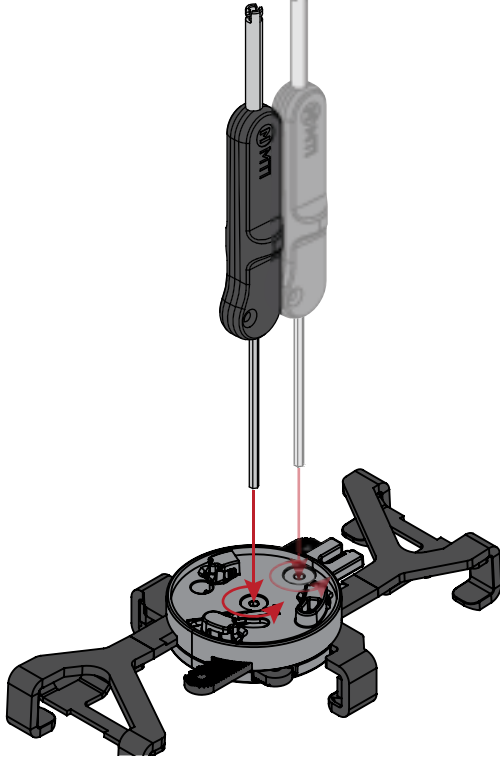
- 2** Align bottom plate to slot adapter.



- 3** Secure the Freedom Micro® II position with the knob.

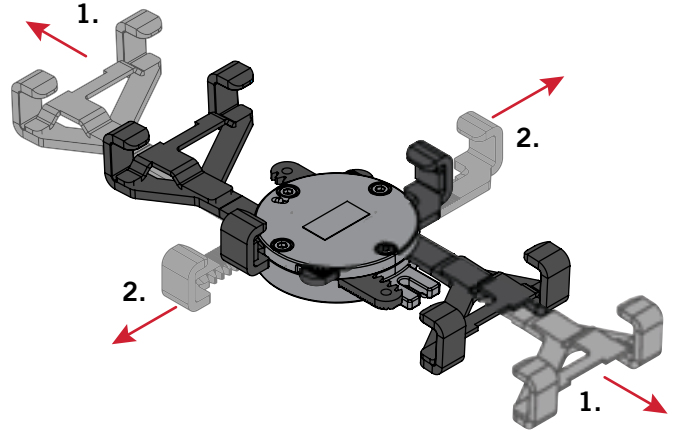


- 1** Loosen the arm locking security screws on the universal bracket to loosen the bracket arms.



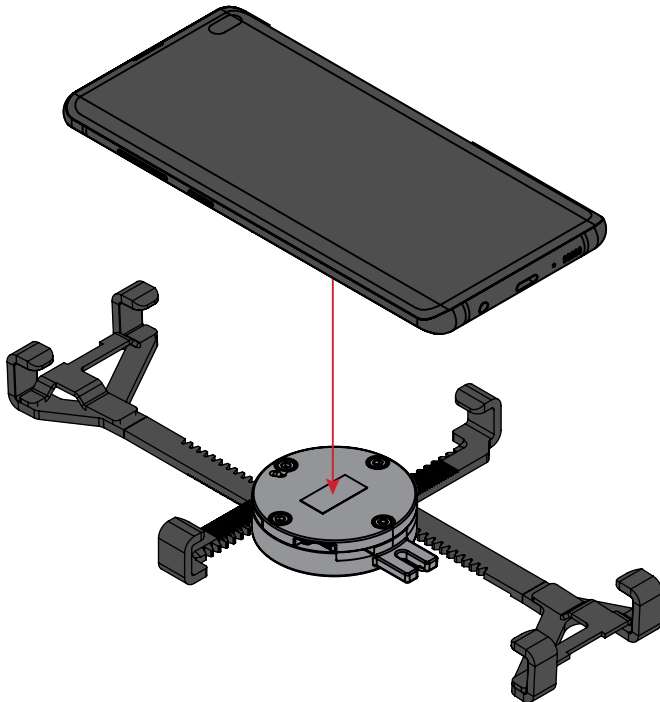
! Some brackets may only have center locking screw

- 2** Extend the bracket arms as far as needed. The bracket arms move simultaneously in pairs (top & bottom, and left & right).



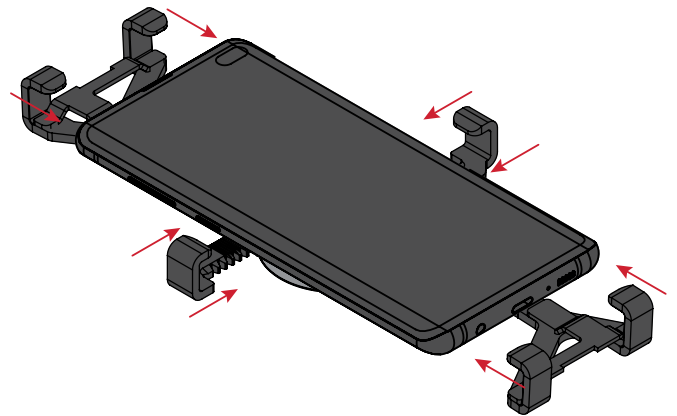
! Open the top and bottom bracket arms, then the side arms, in that order.

- 3** Place the phone into the universal bracket.

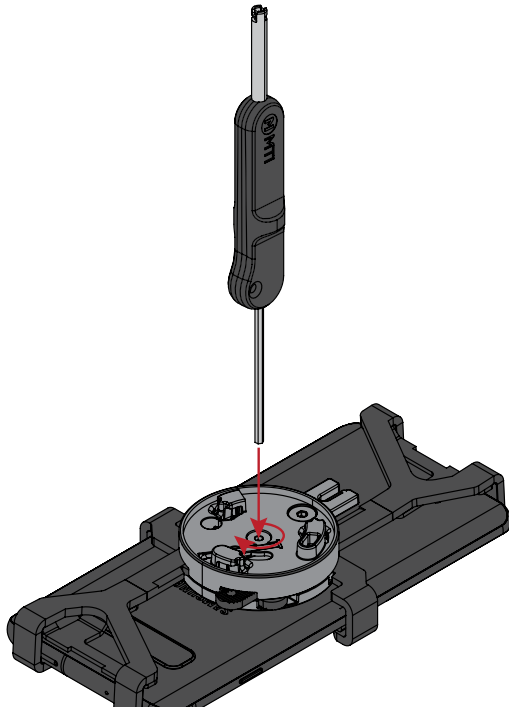


! Charge port of phone should face towards cable clip on SpeedBracket

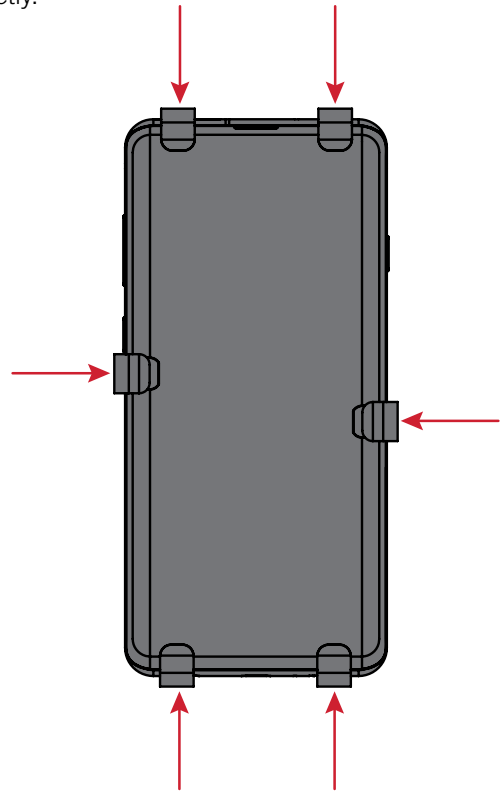
- 4** Adjust the universal bracket to fit the device snugly.



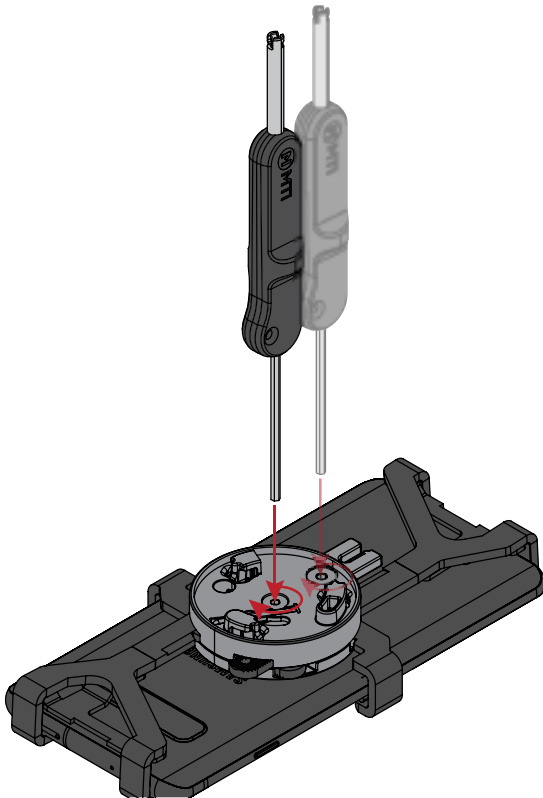
- 5** Tighten center locking security screw on the SpeedBracket™ to secure the bracket arms in place around the device. After tightening screws, wiggle the arms to ensure they have fully engaged the lock teeth.



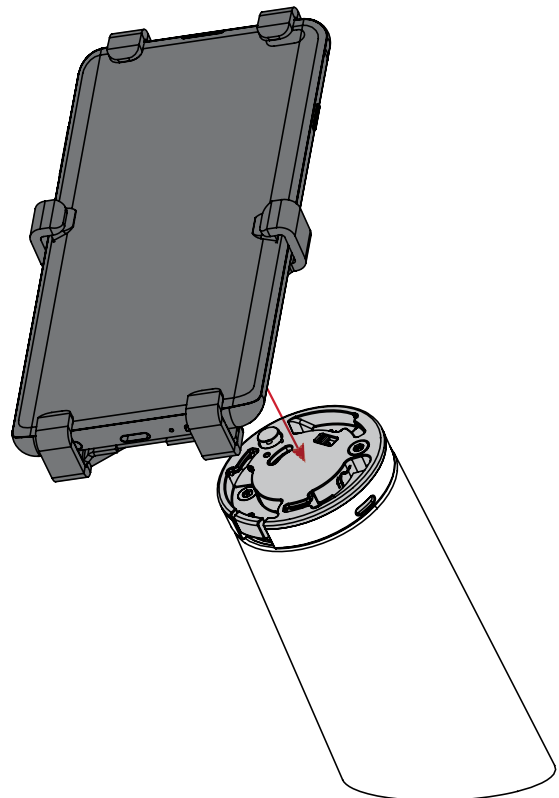
- 6** Place pressure on the top/bottom and the sides to try and move arms. This is to find if the arms did not seat correctly.



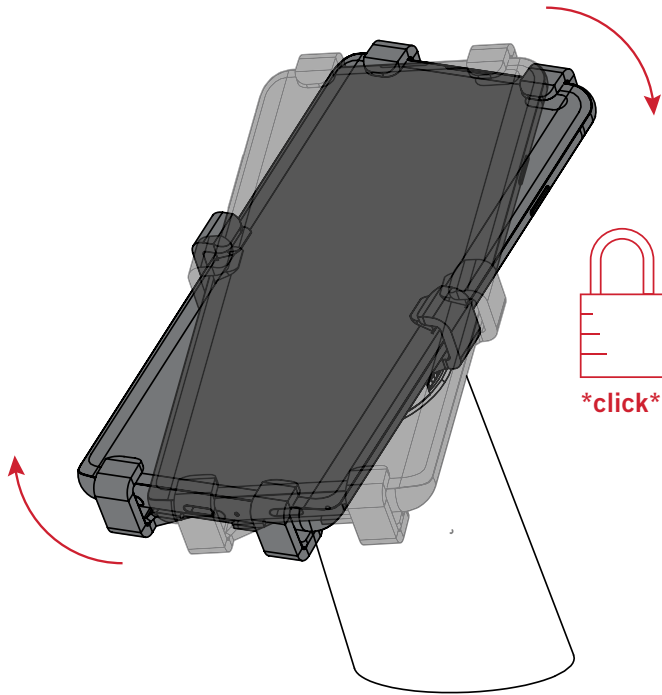
- 7** Tighten center screw again until tight. Tighten the other bracket security screw for additional security.



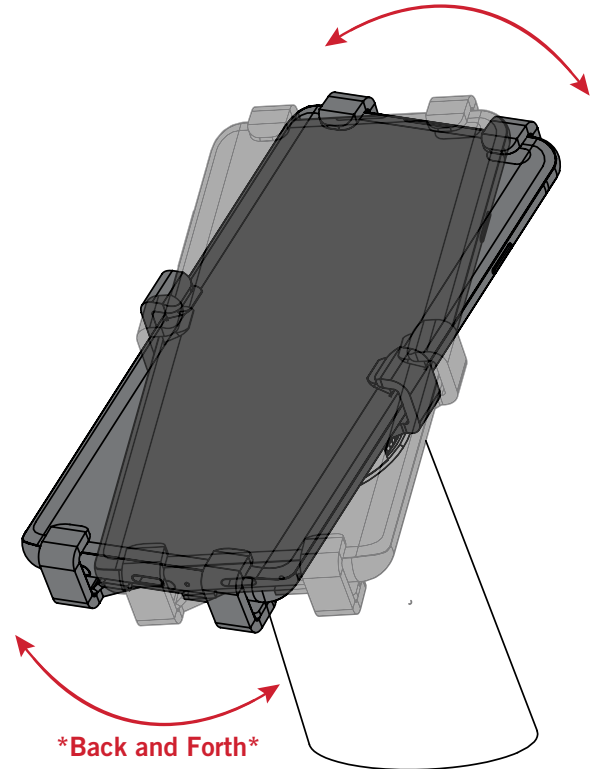
- 8** Place device back onto puck.



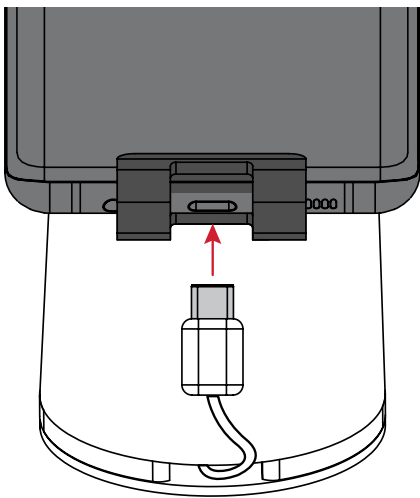
9 Rotate the device and bracket clockwise on the puck until it locks into place.



10 Grab the exposed portion of the puck with your thumb and forefinger. Move the phone back and forth to checking to ensure the bracket locked in place.



11 Once OEM cable has been routed (page 3) plug into device.



Occasionally, having the SpeedBracket medallion centered on the device may cover or partially cover a needed button on the edge of the phone. In those cases, the SpeedBracket can be offset on the device. The instructions below show the steps to offset up/ down. The same steps can be used to offset left/ right.

[Click Here for Video](#)



- 1** Using the Freedom Micro II tool, loosen the 2 security screws on the back of the medallion to loosen the bracket arms.



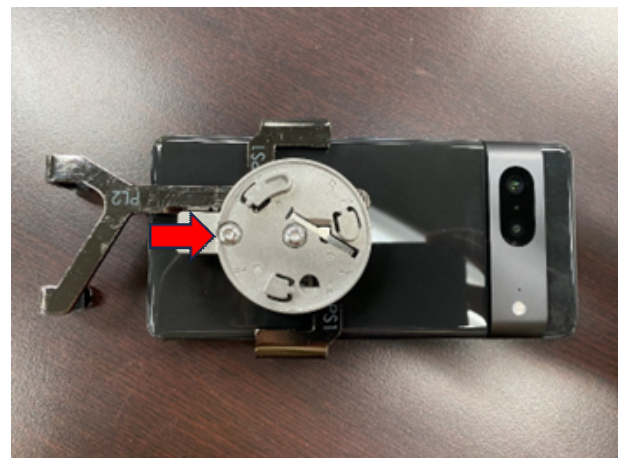
- 2** Slide the top (PL1) and bottom bracket (PL2) arms all the way out.



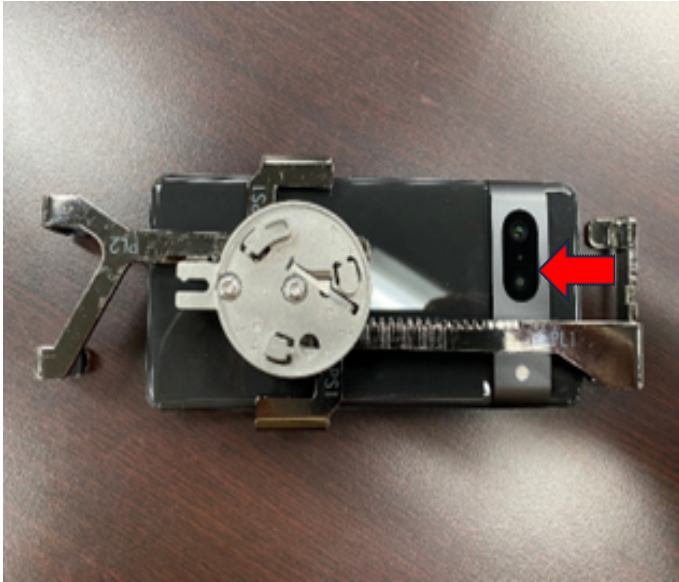
- 3** Place the side bracket arms (PS1) on the device, lining up with where they need to fit on the phone.



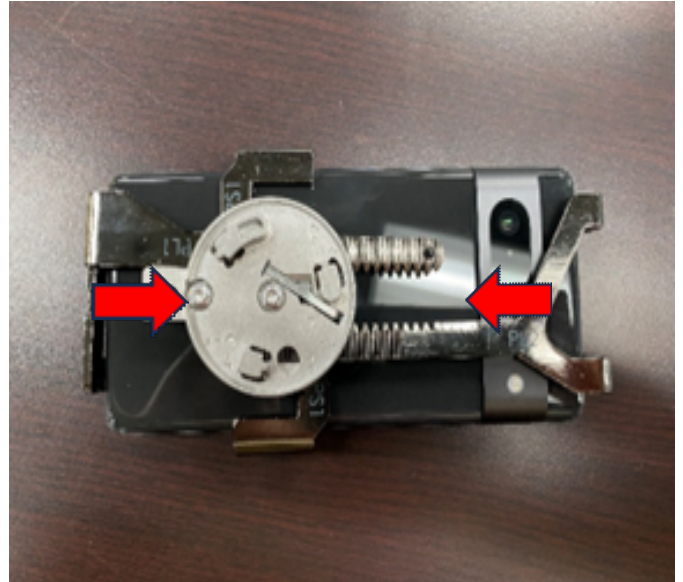
- 4** Slide in only the bottom bracket arm (PL2) part way, not all the way flush with the device.



5 Then, start to slide in the top bracket arm.



6 Slide both arms inwards and fit all bracket arms snugly around the device.



7 Make sure the bracket arms are not obstructing any needed buttons on the edge of the phone. If further adjustment is needed, repeat above steps until the bracket arms are lined up where they need to be.

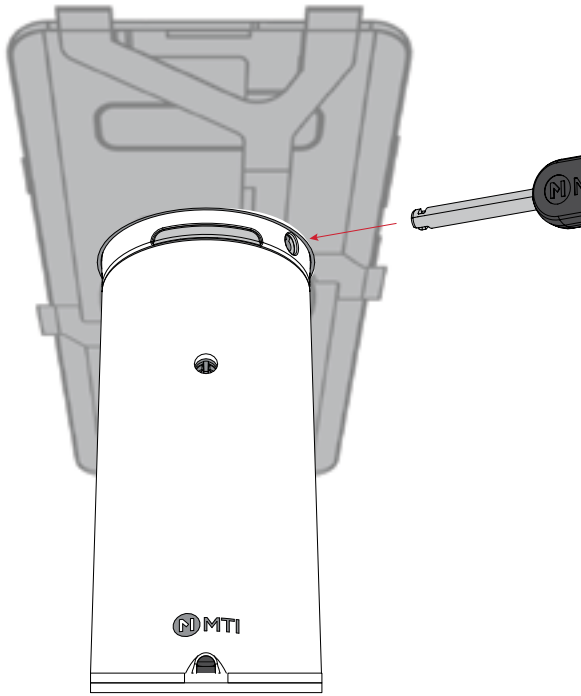


8 Tighten the 2 security screws on the back.

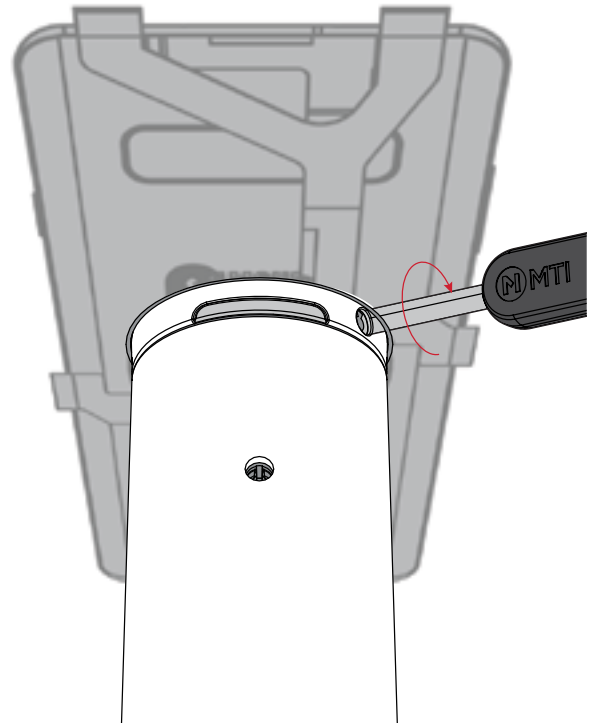


REMOVING SPEEDBRACKET™ FROM PUCK

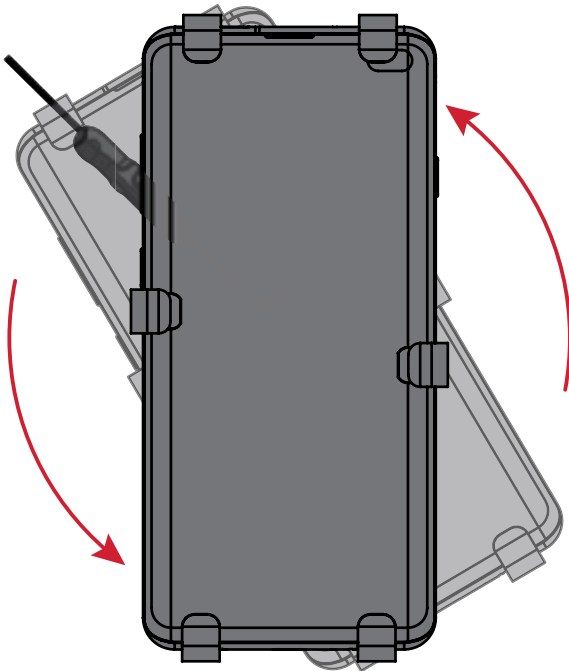
- 1** Insert the crescent end of the Freedom Micro® II tool into the opening to the right of the LED.



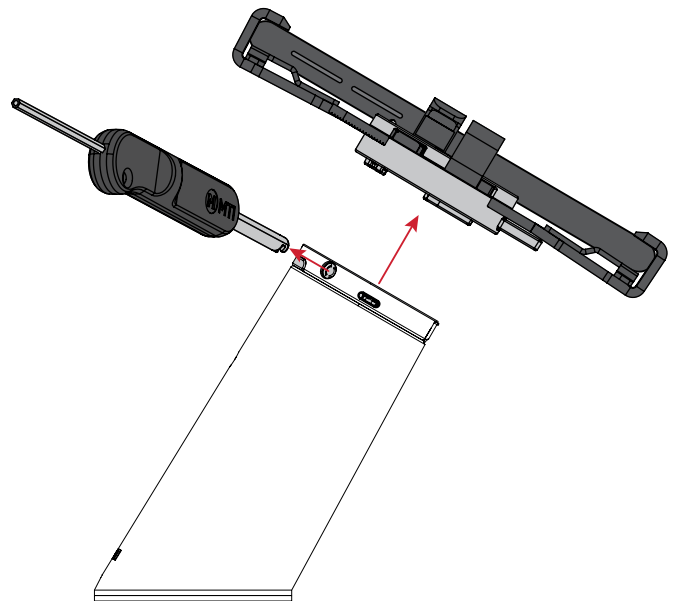
- 2** Twist the Freedom Micro® II tool clockwise 45 degrees and hold it in place.



- 3** With the Freedom Micro® II tool held in the twisted position, rotate the SpeedBracket™ counterclockwise.

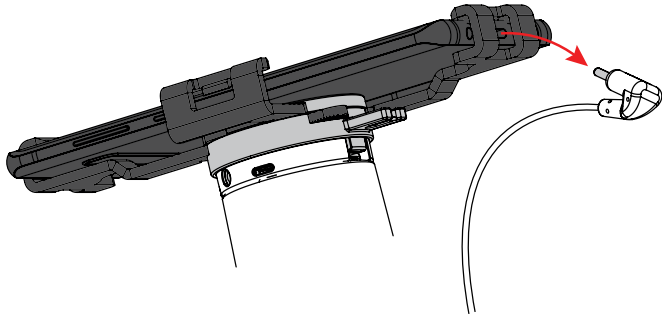


- 4** Remove the SpeedBracket™ from the Freedom Micro® II Puck, then release and remove the Freedom Micro® II tool.

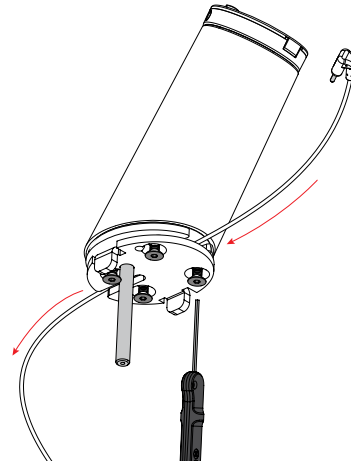


REMOVING OEM CABLE FROM DEVICE

1 Remove OEM cable from device.



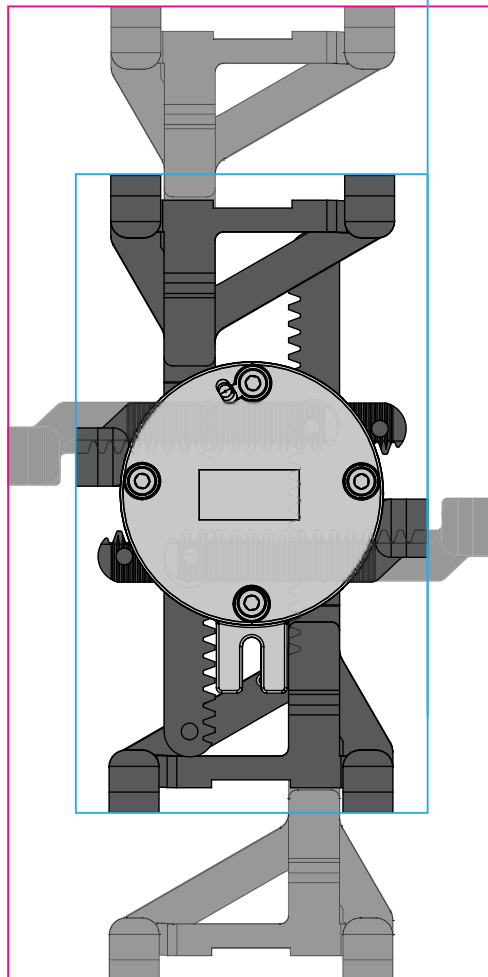
2 Detach Riser from fixture and route OEM cable through (reverse order page 3. step 2)



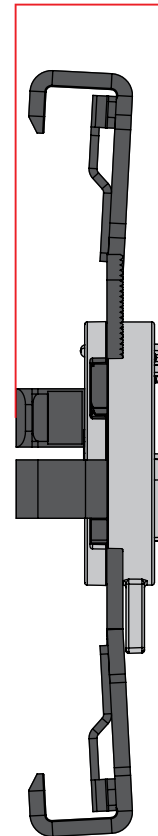
PHONE SPEEDBRACKET™ DIMENSIONS

MAXIMUM: 180mm H x 90mm W

MINIMUM: 118mm H x 65mm W



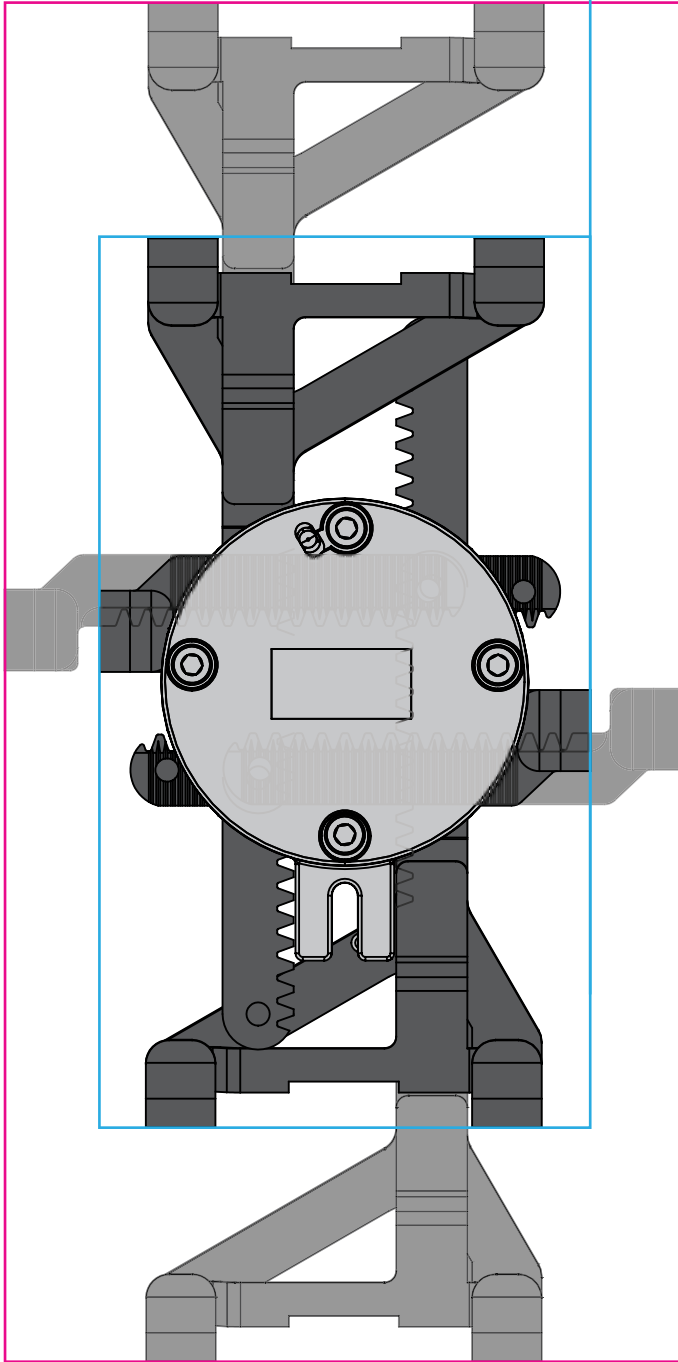
1.11"



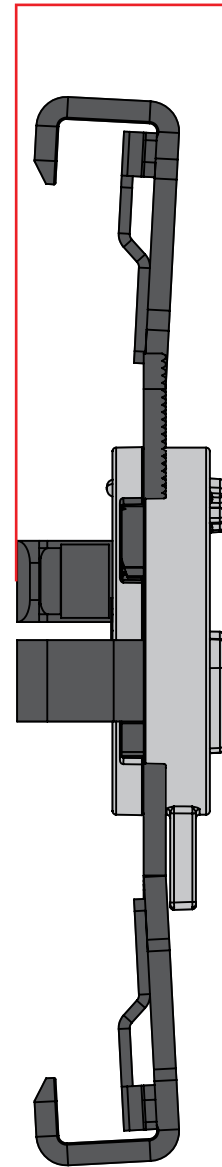
**Accommodates Phones
7-9mm Thick**

MAXIMUM: 275mm H x 185mm W

MINIMUM: 195mm H x 135mm W



1"



**Accommodates Tablets
4 - 7mm Thick**