

Product Manual for FREEDOM MICRO® II Display

Contents

1.	Components And Accessories	2
2.	Baseplate Options	3
3.	Speedplate™ Merchandising	5
4.	Speedbracket™ Merchandising	7

DO NOT REMOVE FROM STORE

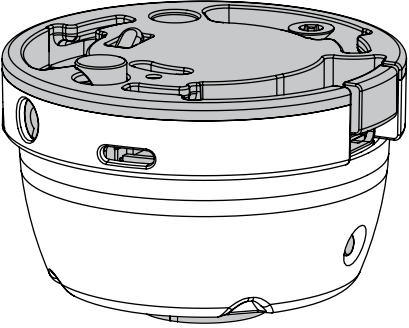
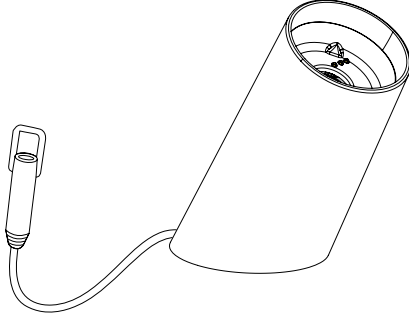
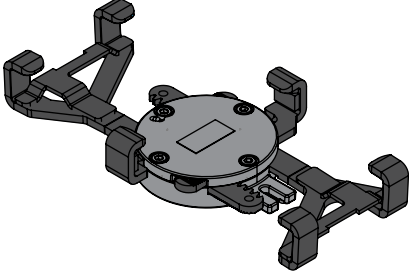


**For additional support, please reach out to our
Contact Center at 800-426-6844**

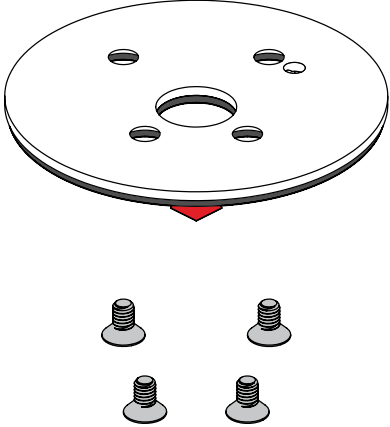
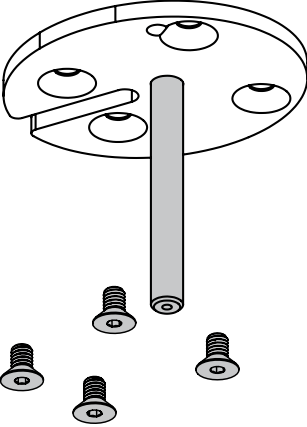
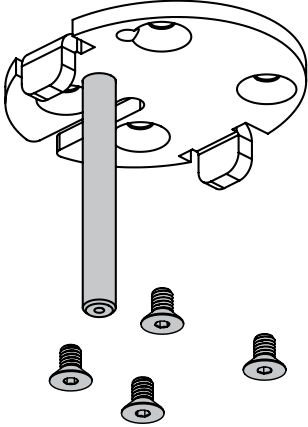


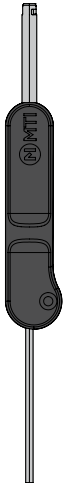
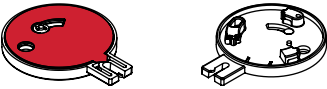
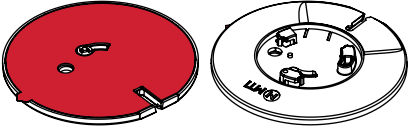
WARNING: MTI products contains chemicals known to the State of California to cause cancer and birth defects or other reproductive harm. Proposition 65, California Health & Safety Code Section 25249.6 et seq. Visit oehha.ca.gov for more information.



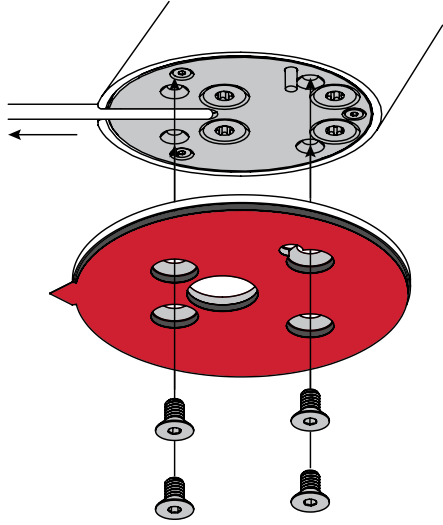
Freedom Micro® II Puck	Freedom Micro® II Riser	SpeedBracket™
		

Mounting Options

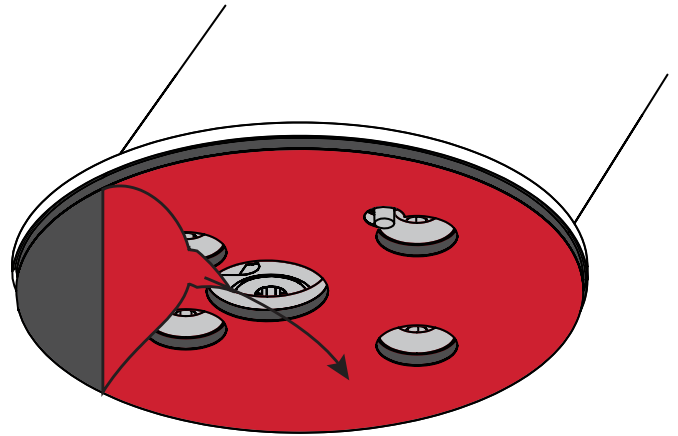
VHB Mounting	Through Hole Mounting	Slot Mounting
		

Freedom Micro® II Tool	SpeedPlate™ Options	
	<p data-bbox="768 1524 854 1556">Phones</p>  <p data-bbox="768 1703 854 1734">Tablets</p> 	

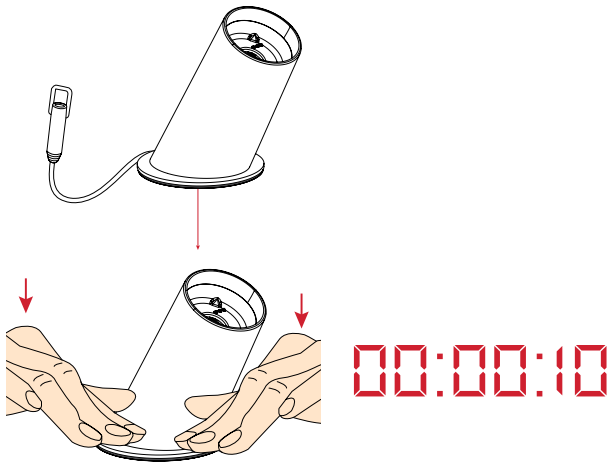
1 Attach the baseplate with the included screws.



2 Peel the red film from the adhesive.



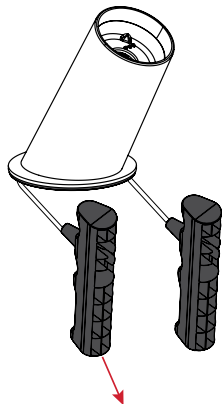
3 Place Micro position in desired location. Press down on the base plate for 10 seconds for full adhesive contact. Allow 24 hours for full adhesion.



4

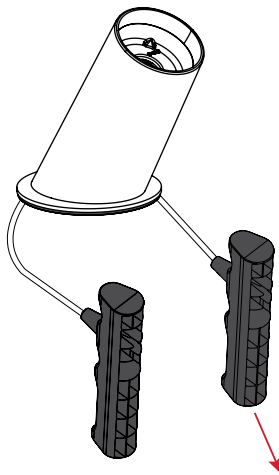
ADHESIVE POSITION REMOVAL

1

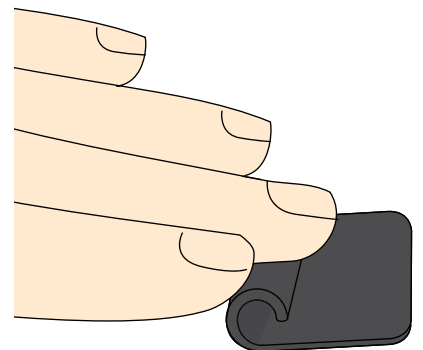


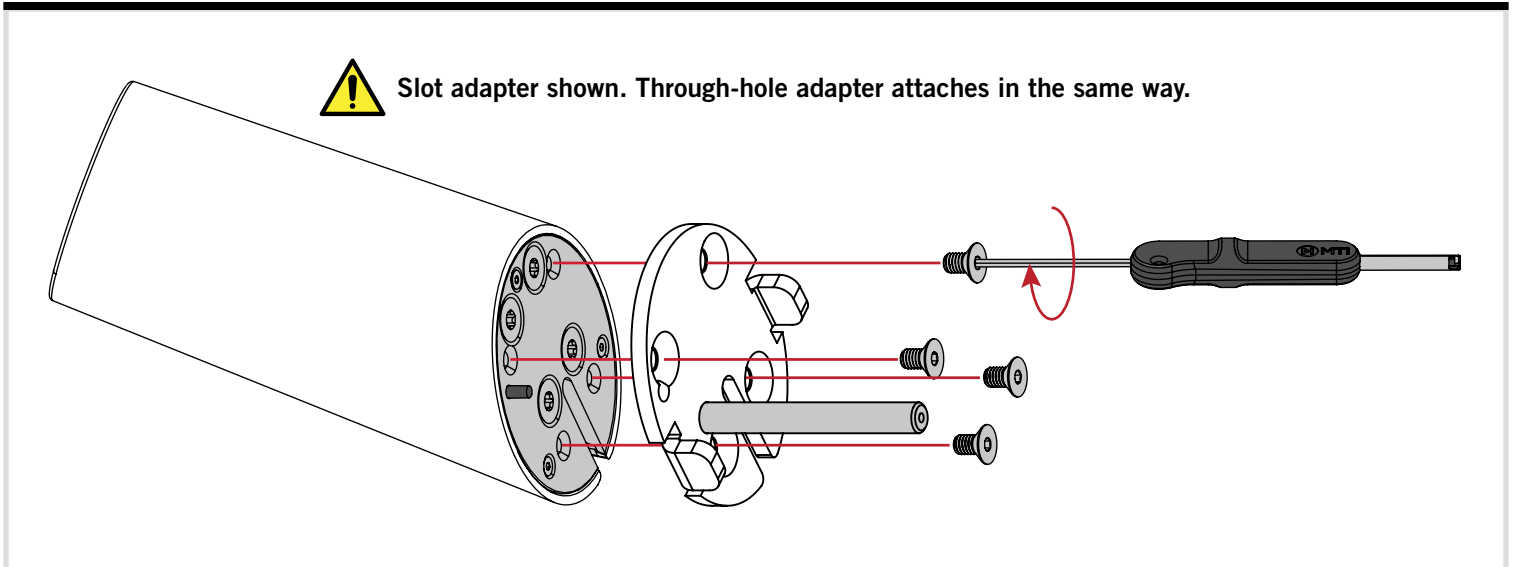
Do not cut power cable.

2



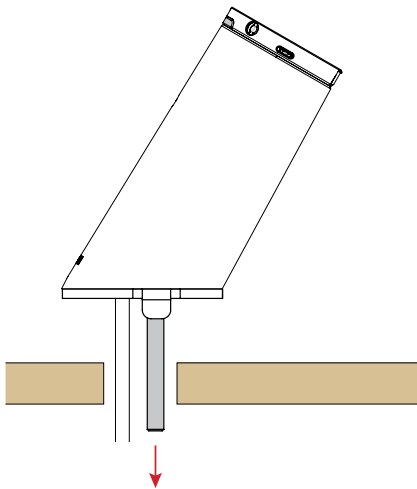
3



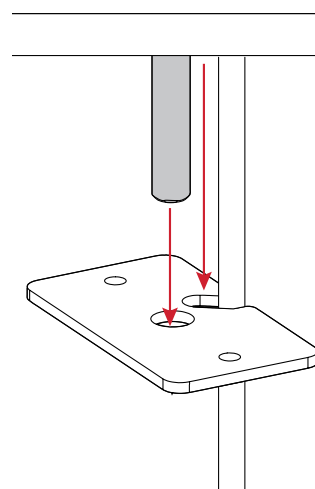


MOUNTING SLOT & THROUGH-HOLE ADAPTERS

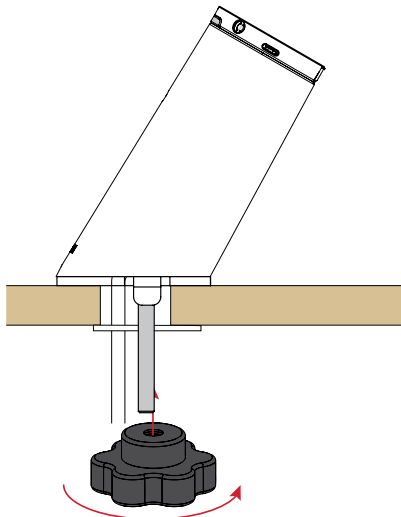
- 1** Insert the Freedom Micro® II position into the slot or hole.



- 2** Place the power cable into the slot on the bottom plate, then slide it up over the slot adapter post.

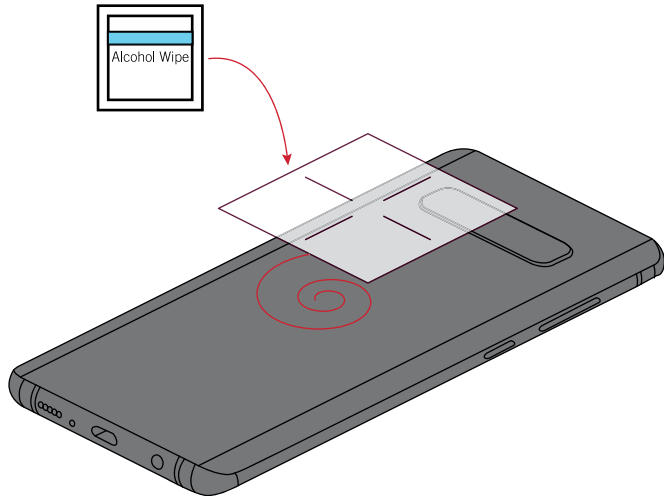


- 3** Secure the Freedom Micro® II position with the knob.

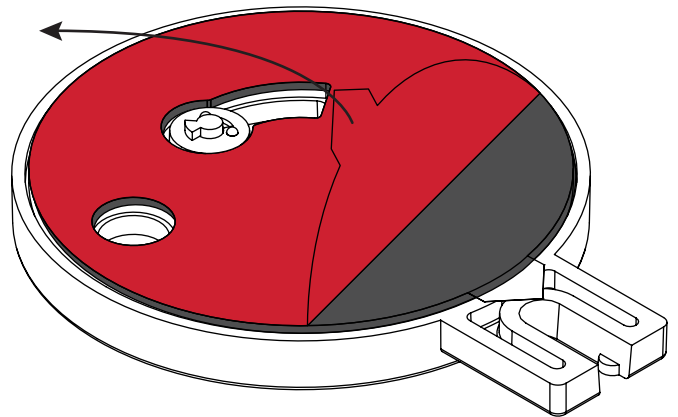


- 4**

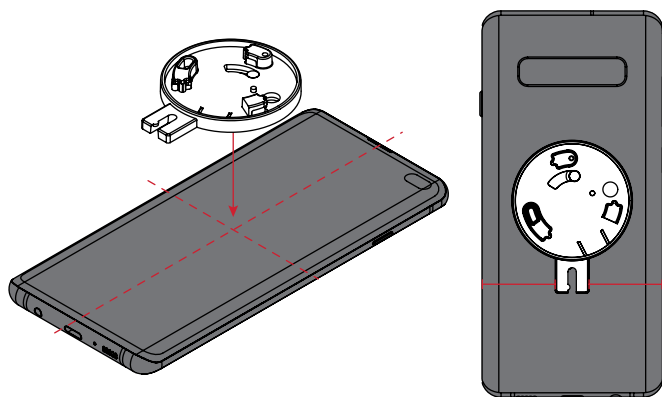
1 Clean the device with an alcohol wipe.



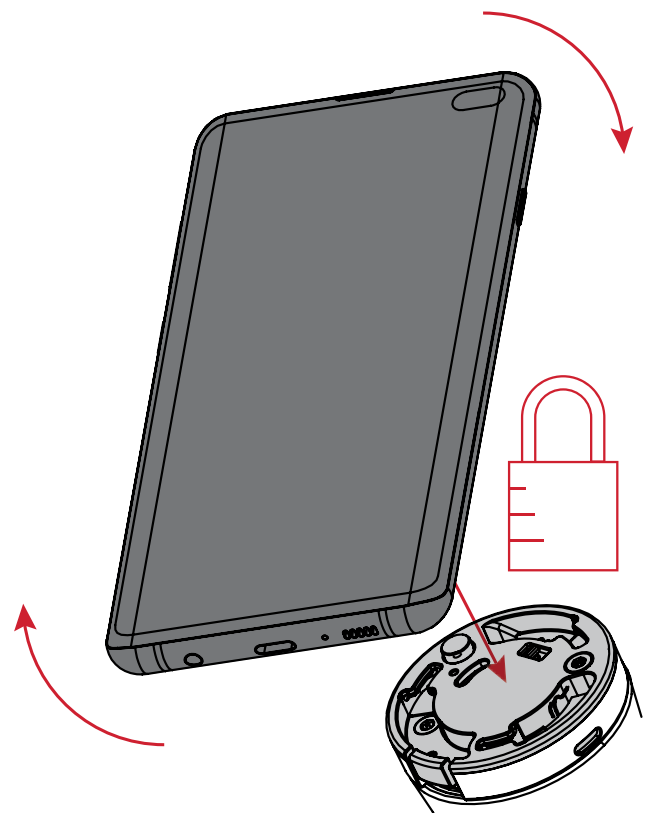
2 Peel red backing off of the adhesive on the SpeedPlate™.



3 Apply the SpeedPlate™ to the phone, with the cable retainer towards the charge port of the phone. Use the SpeedPlate cable retainer as alignment reference. Apply firm pressure against the SpeedPlate to the phone for a minimum of 10 seconds.

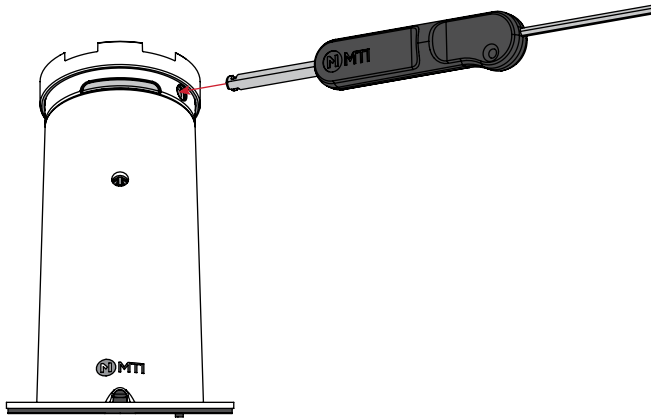


4 Place the device onto the puck and rotate the device clockwise on the puck until it locks into place.

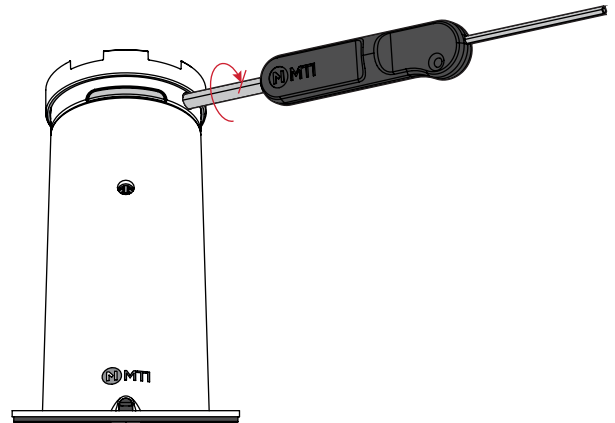


REMOVING SPEEDPLATE™

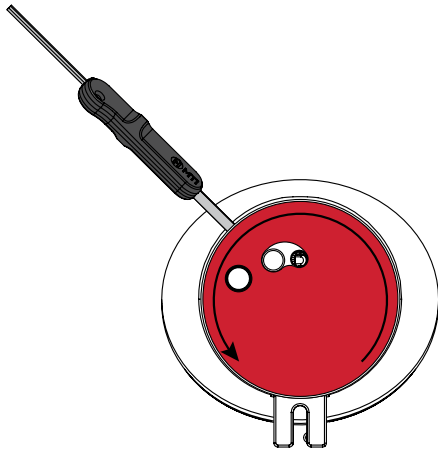
1 Insert the crescent end of the Freedom Micro® II tool into the opening on the puck



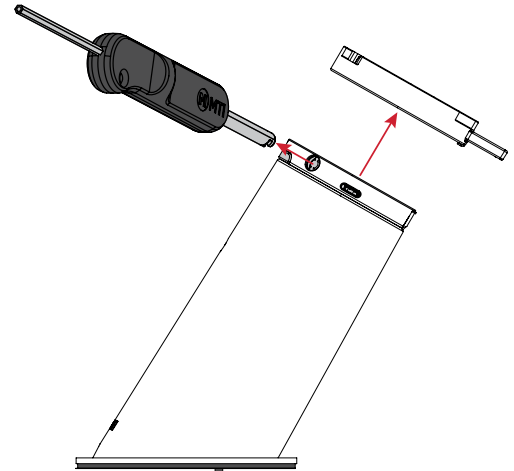
2 Twist the Freedom Micro® II tool clockwise 45 degrees and hold it in place.



3 With the Freedom Micro® II tool held in the twisted position, rotate the SpeedPlate™ counterclockwise.

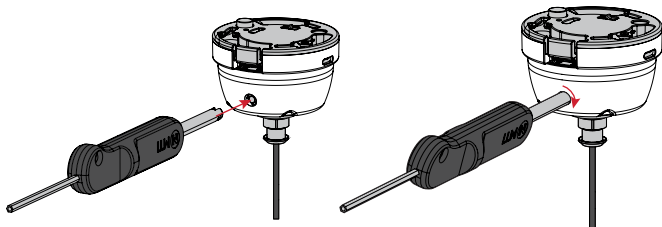


4 Remove the SpeedPlate™ from the Freedom Micro® II Puck, then release and remove the Freedom Micro® II tool.

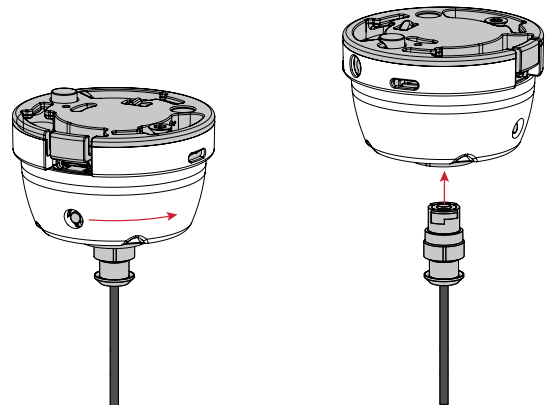


REMOVING PUCK FROM TETHER

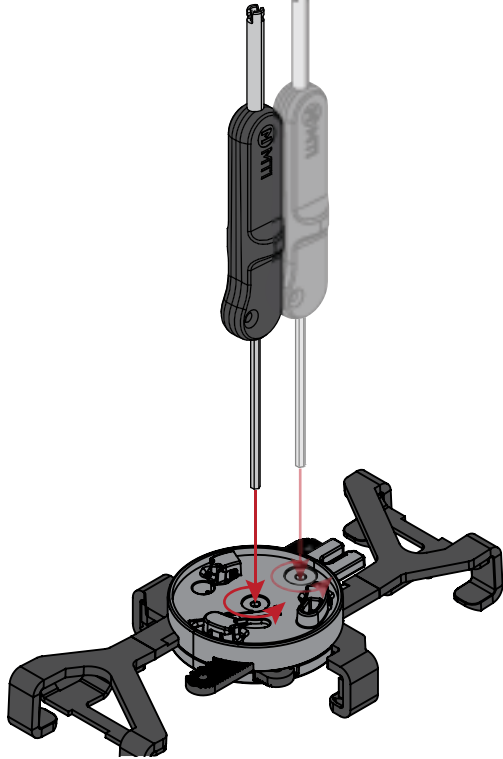
1 Lift puck out of riser, insert the crescent end of the Freedom Micro II tool into the opening below the charge port on the puck. Twist the Freedom Micro II tool counterclockwise to unlock the puck from the tether.



2 Once the puck is loose, rotate the puck 45 degrees counterclockwise in relation to the tether. Lift the puck off of tether connection.

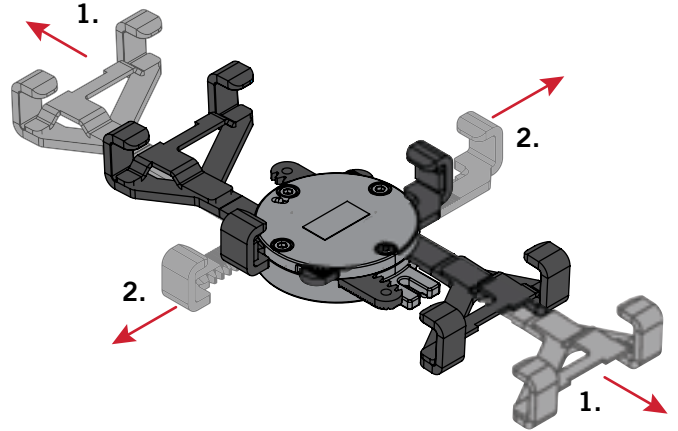


1 Loosen the arm locking security screws on the universal bracket to loosen the bracket arms.



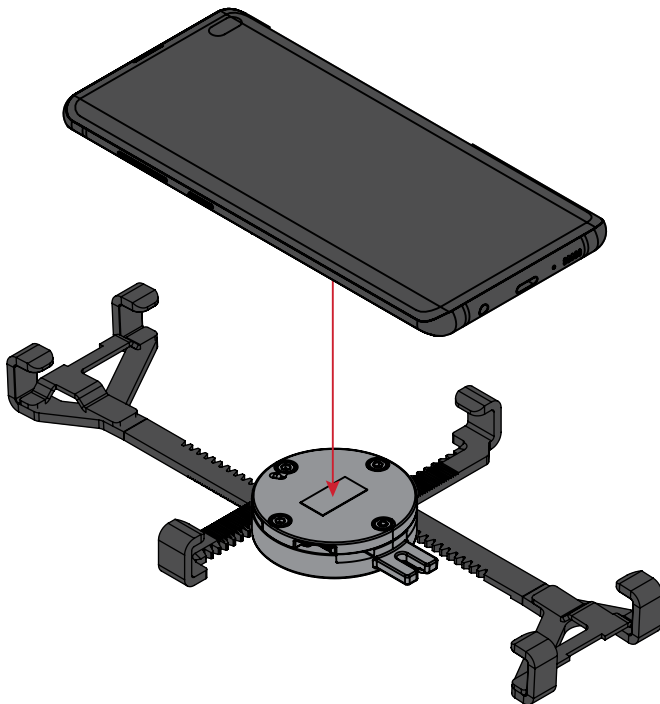
Some brackets may only have center locking screw

2 Extend the bracket arms as far as needed. The bracket arms move simultaneously in pairs (top & bottom, and left & right).



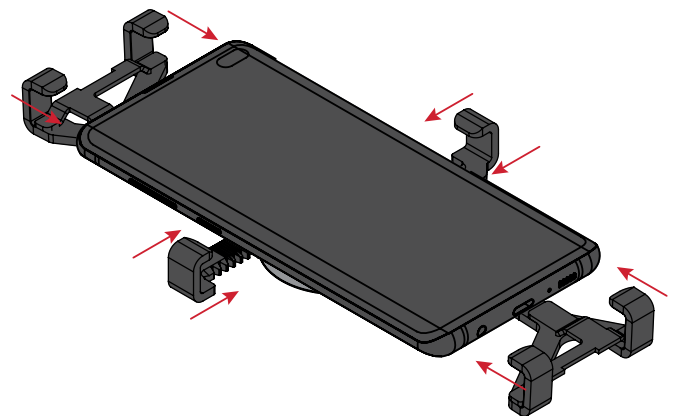
Open the top and bottom bracket arms, then the side arms, in that order.

3 Place the phone into the universal bracket.

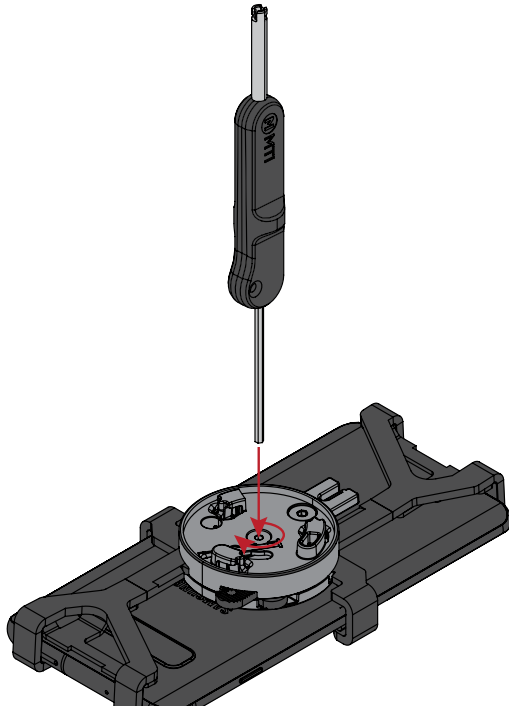


Charge port of phone should face towards cable clip on SpeedBracket

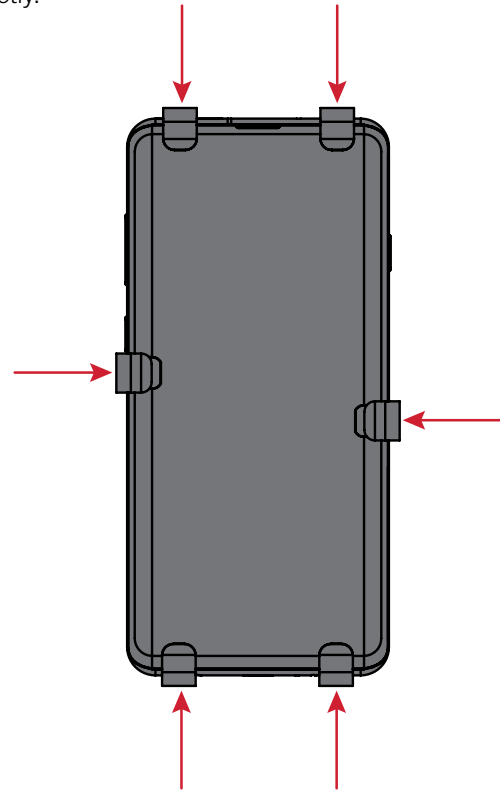
4 Adjust the universal bracket to fit the device snugly.



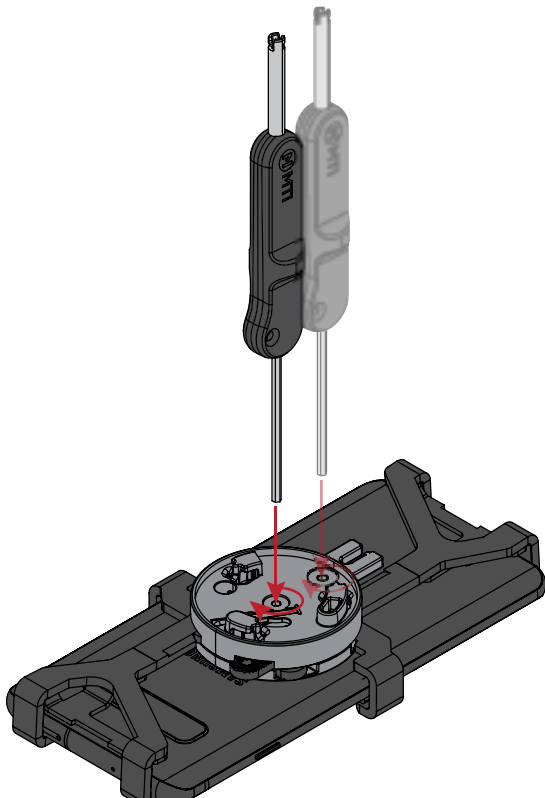
5 Tighten center locking security screw on the SpeedBracket™ to secure the bracket arms in place around the device. After tightening screws, wiggle the arms to ensure they have fully engaged the lock teeth.



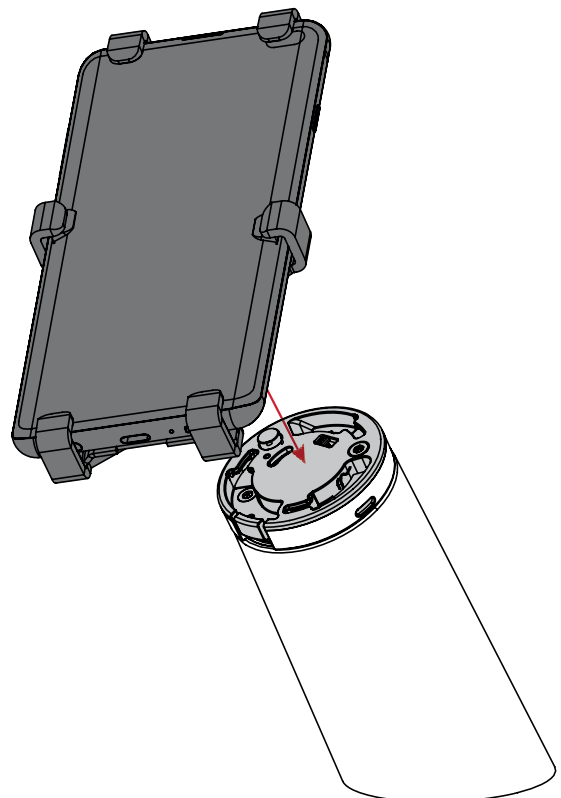
6 Place pressure on the top/bottom and the sides to try and move arms. This is to find if the arms did not seat correctly.



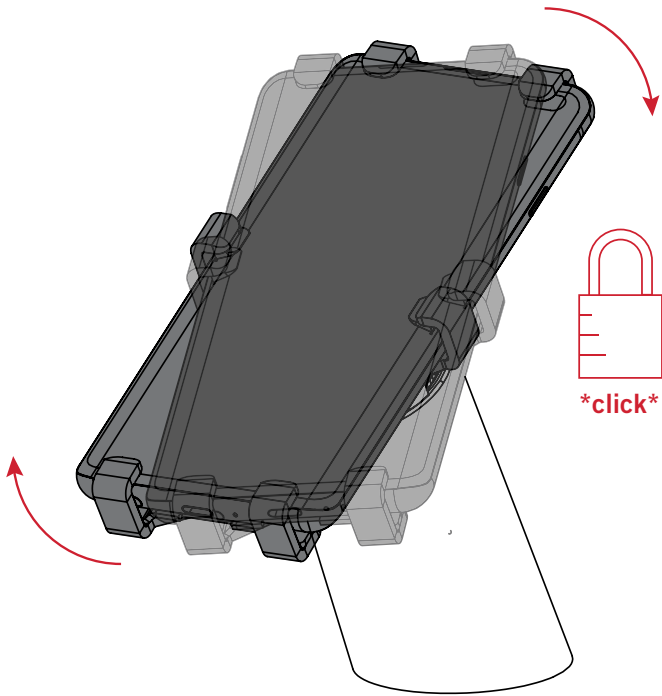
7 Tighten center screw again until tight. Tighten the other bracket security screw for additional security.



8 Place device back onto puck.



9 Rotate the device and bracket clockwise on the puck until it locks into place.



10 Grab the exposed portion of the puck with your thumb and forefinger. Move the phone back and forth to checking to ensure the bracket locked in place.

