

Product Manual for Freedom Micro® II Power Pro and MICRO® II HS PowerPro

Contents

1.	Components And Accessories	2
2.	Baseplate Options	3
3.	Speedplate™ Merchandising	5
4.	Speedbracket™ Merchandising	8
5.	Speedbracket™ Offsetting	11
6.	SmartCable™ Merchandising	13
7.	RFID Commands	14
8.	RFID MTI Connect® Pairing	15
9.	LED Status Indicators	16
10.	Dimensions	18
11.	FCC and ISED Statement	22

DO NOT REMOVE FROM STORE

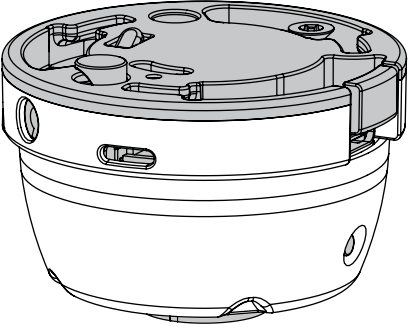
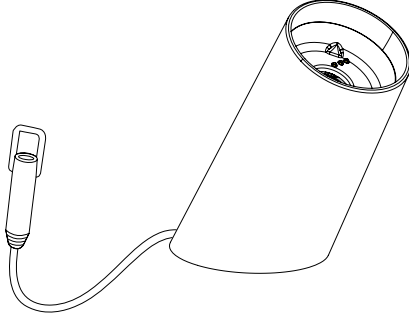
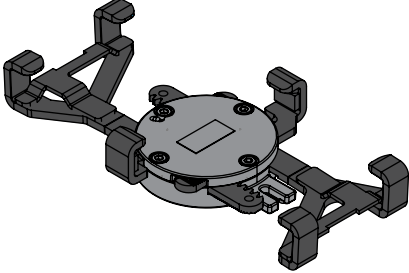


**For additional support, please reach out to our
Contact Center at 800-426-6844**

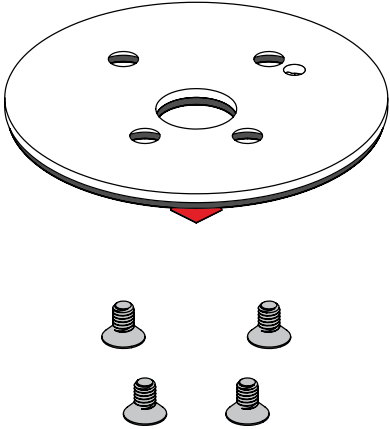
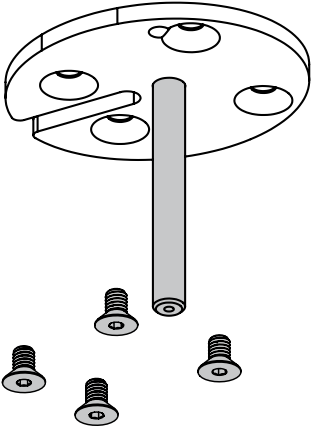
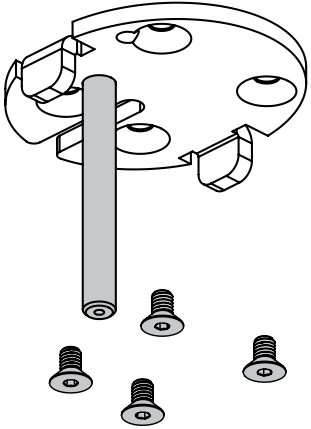


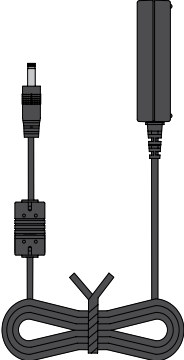


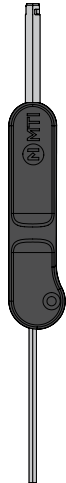

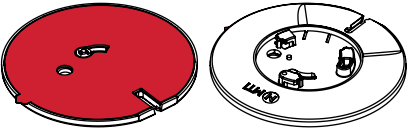
WARNING: MTI products contains chemicals known to the State of California to cause cancer and birth defects or other reproductive harm. Proposition 65, California Health & Safety Code Section 25249.6 et seq. Visit oehha.ca.gov for more information.



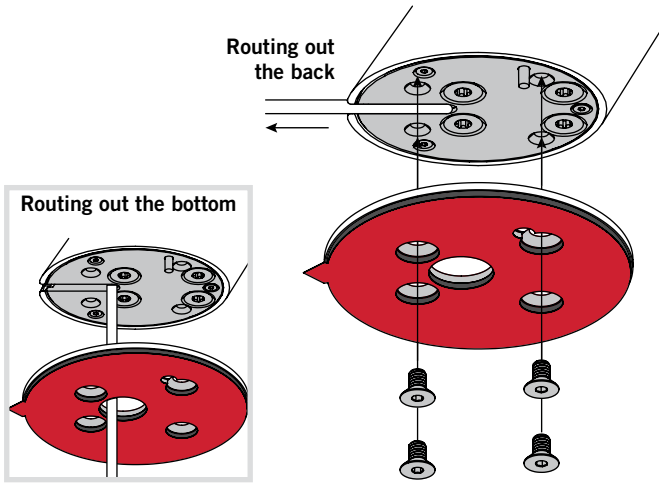
Freedom Micro® II Puck	Freedom Micro® II Riser	SpeedBracket™
		

Mounting Options

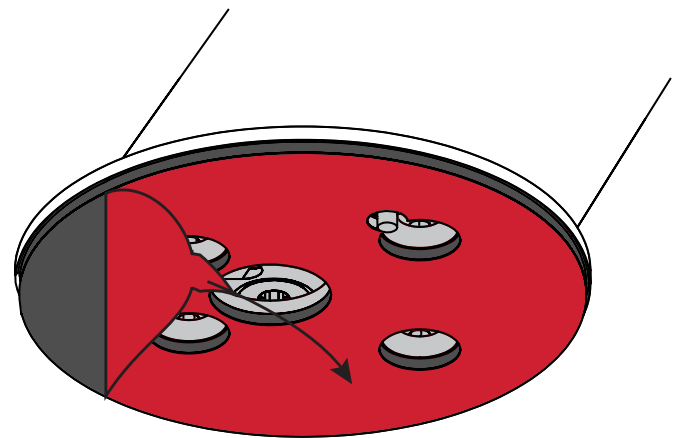
VHB Mounting	Through Hole Mounting	Slot Mounting
		

Power Supply	Freedom Micro® II Tool	SpeedPlate™ Options
 <p data-bbox="105 1795 544 1869">  Only use 5.9V 3.5A MTI Power Supply, not exceed PS 2. Other spec may cause damage. </p> <p data-bbox="105 1890 544 1995">  utilisez uniquement une alimentation MTI 5,9 V 3,5 A, ne dépassez pas PS 2. D'autres spécifications peuvent causer des dommages </p>		<p data-bbox="1266 1522 1356 1554">Phones</p>  <p data-bbox="1266 1701 1356 1732">Tablets</p> 

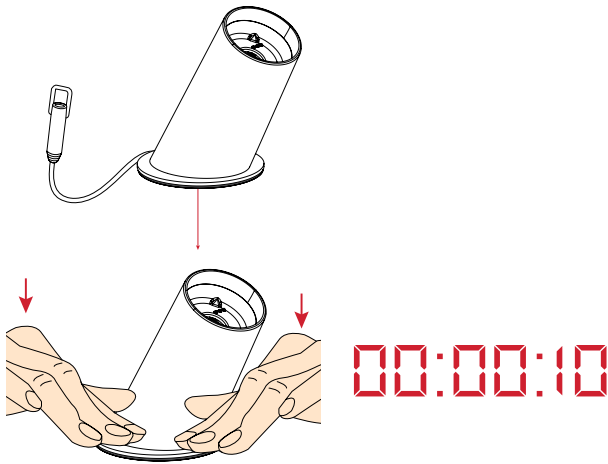
1 Route the cable as desired and attach the baseplate with the included screws.



2 Peel the red film from the adhesive.

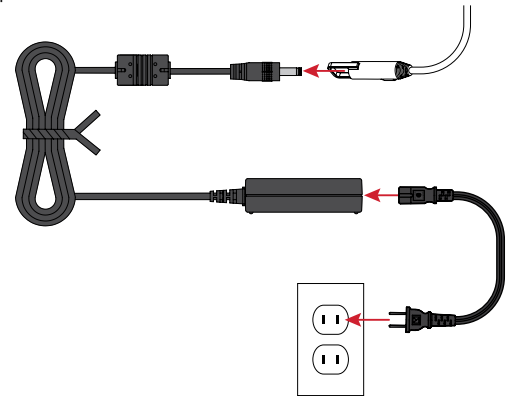


3 Place Micro position in desired location. Press down on the base plate for 10 seconds for full adhesive contact. Allow 24 hours for full adhesion.




4 Use the individual power supply and plug it into the nearest outlet. The socket-outlet shall be installed near the equipment and shall be easily accessible.

Utilisez l'alimentation individuelle et branchez-la dans la prise la plus proche. La prise de courant doit être installée à proximité de l'équipement et doit être facilement accessible.



ADHESIVE POSITION REMOVAL

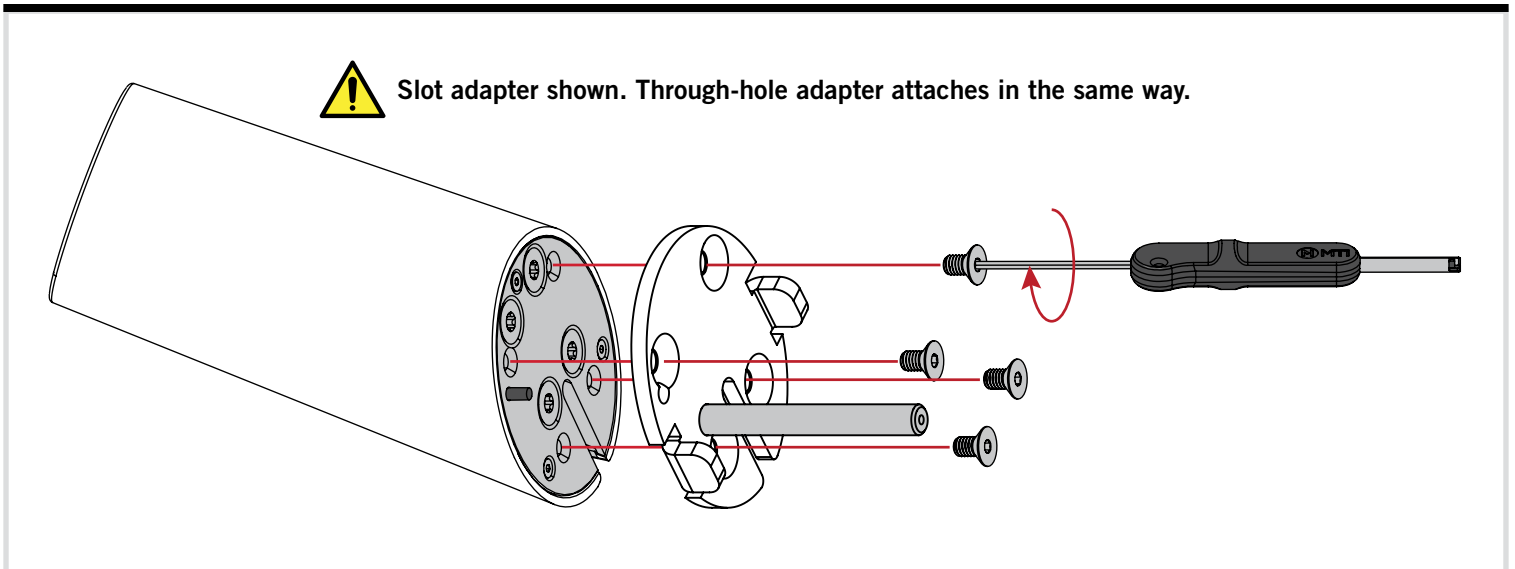
1



Do not cut power cable.

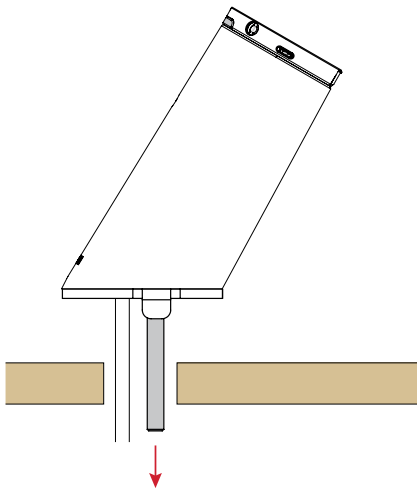
2

3

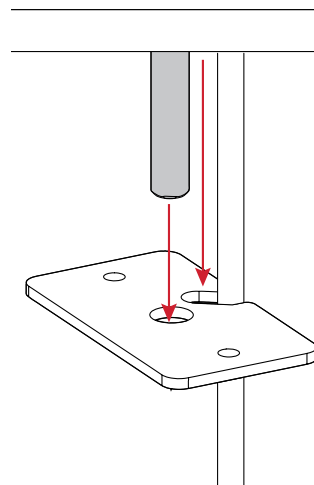


MOUNTING SLOT & THROUGH-HOLE ADAPTERS

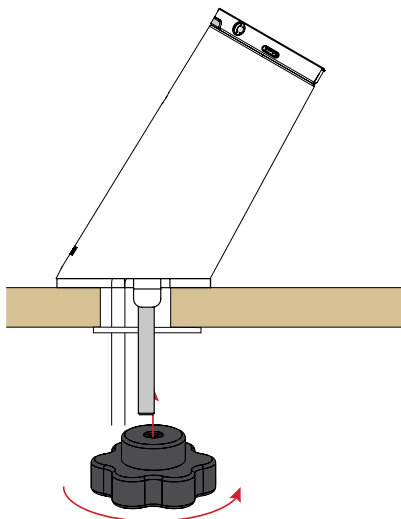
- 1** Insert the Freedom Micro® II position into the slot or hole.



- 2** Place the power cable into the slot on the bottom plate, then slide it up over the slot adapter post.

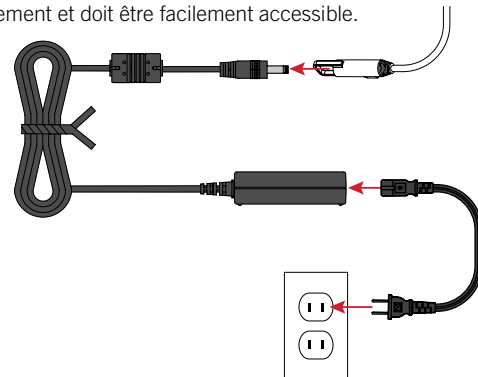


- 3** Secure the Freedom Micro® II position with the knob.

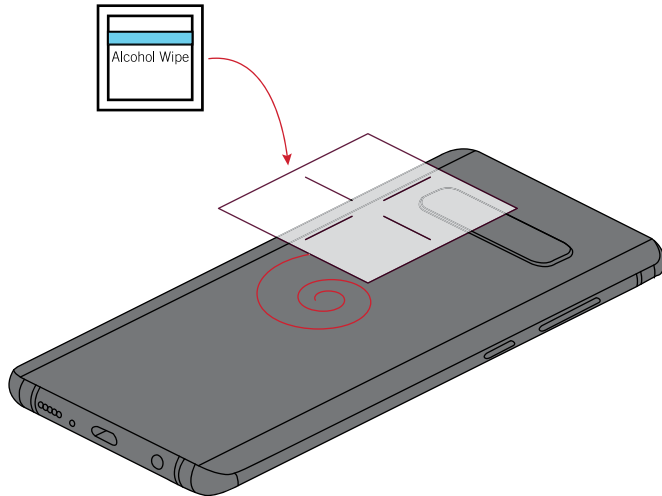


- 4** Use the individual power supply and plug it into the nearest outlet. Use an outlet installed near the equipment that is easily accessible.

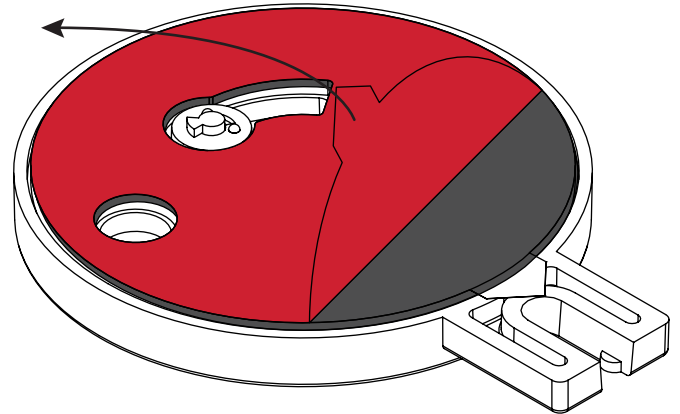
Utilisez l'alimentation individuelle et branchez-la dans la prise la plus proche. La prise de courant doit être installée à proximité de l'équipement et doit être facilement accessible.



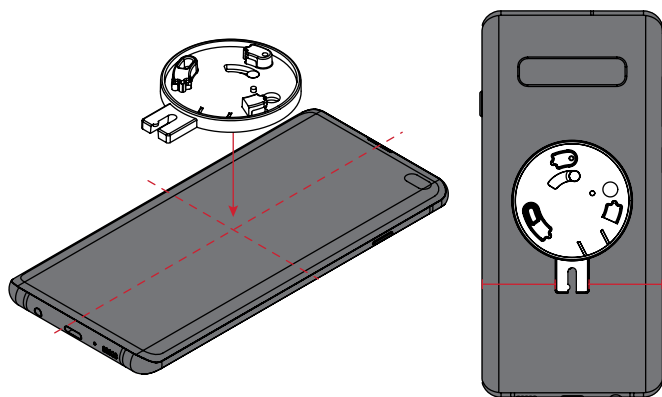
1 Clean the device with an alcohol wipe.



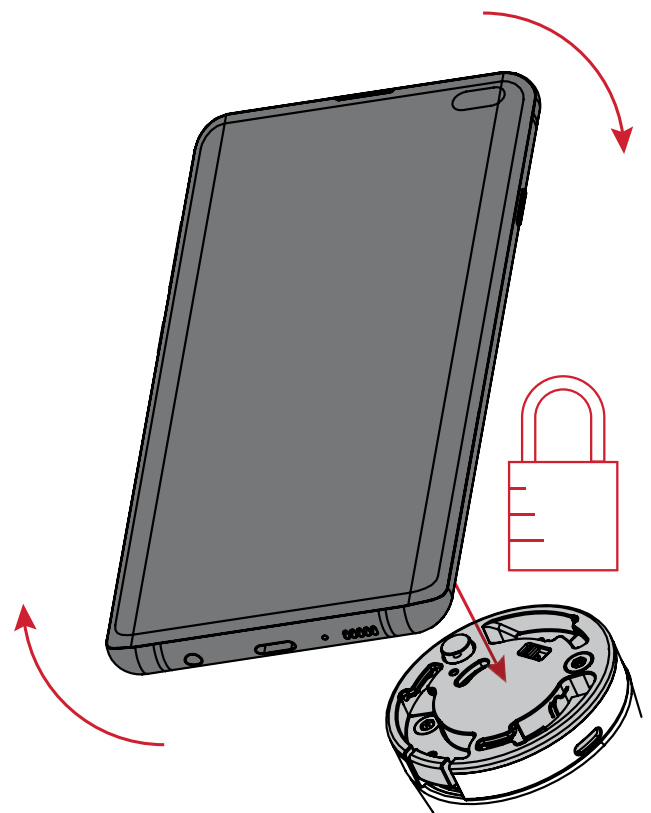
2 Peel red backing off of the adhesive on the SpeedPlate™.



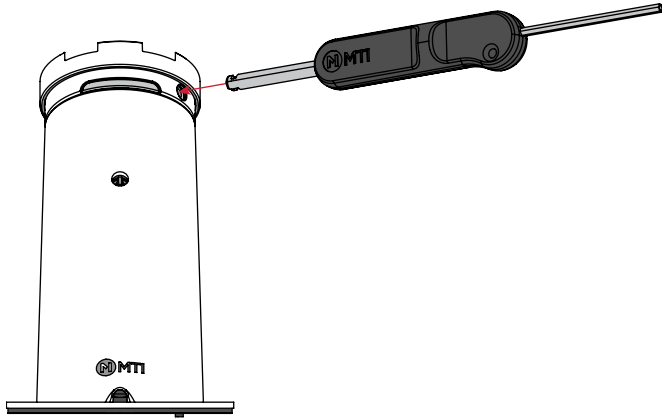
3 Apply the SpeedPlate™ to the phone, with the cable retainer towards the charge port of the phone. Use the SpeedPlate cable retainer as alignment reference. Apply firm pressure against the SpeedPlate to the phone for a minimum of 10 seconds.



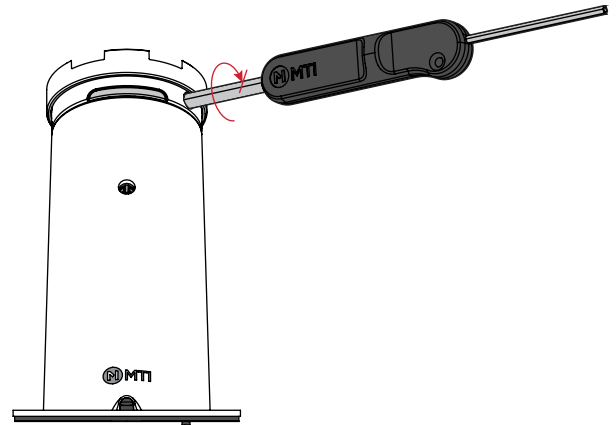
4 Place the device onto the puck and rotate the device clockwise on the puck until it locks into place.



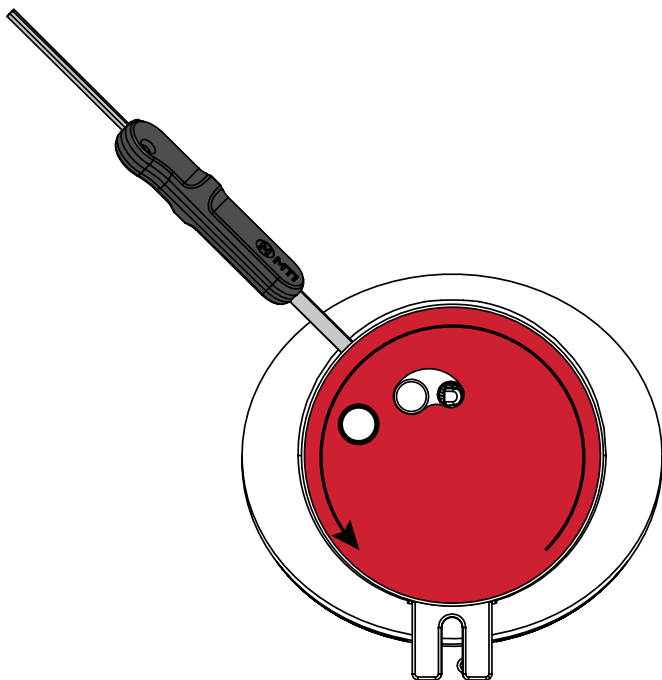
1 Insert the crescent end of the Freedom Micro® II tool into the opening to the right of the LED.



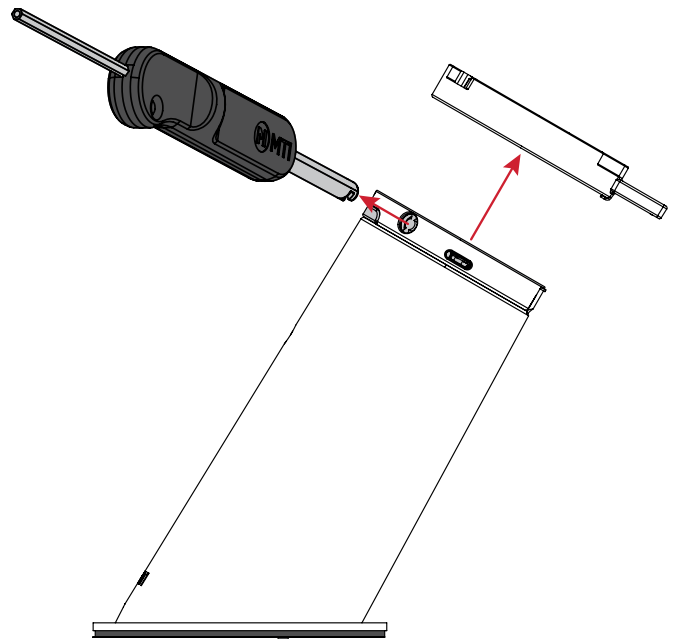
2 Twist the Freedom Micro® II tool clockwise 45 degrees and hold it in place.



3 With the Freedom Micro® II tool held in the twisted position, rotate the SpeedPlate™ counterclockwise.

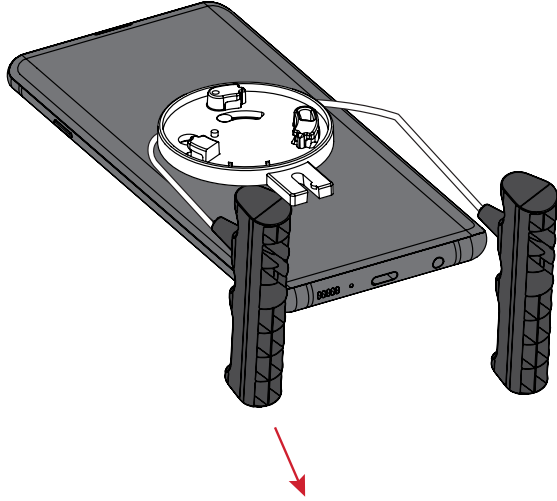


4 Remove the SpeedPlate™ from the Freedom Micro® II Puck, then release and remove the Freedom Micro® II tool.

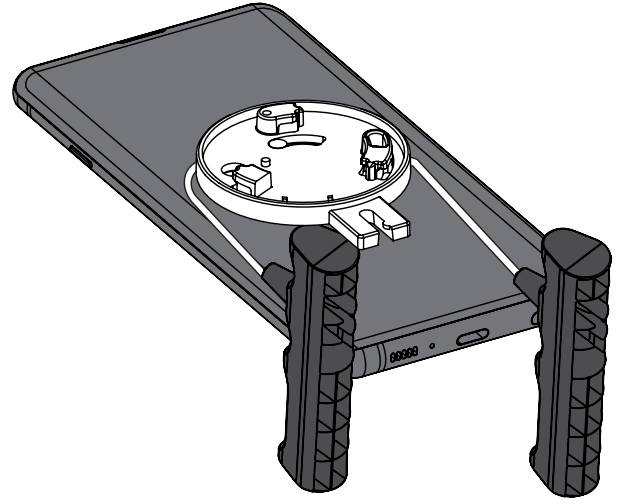


REMOVING SPEEDPLATE™

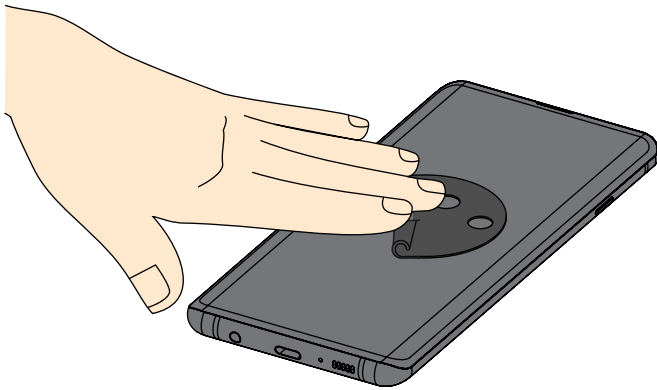
- 1** Place the VHB removal tool around the SpeedPlate™,



- 2** Pull the tool, working it back and forth like a saw, until the SpeedPlate™ comes off the device

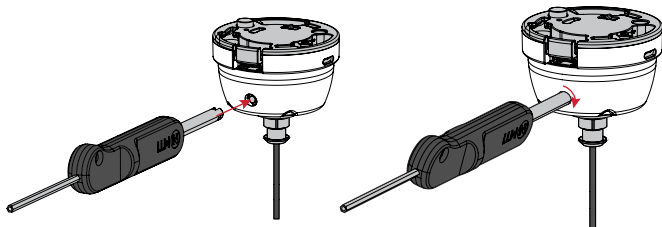


- 3** Roll any remaining adhesive off of the device.

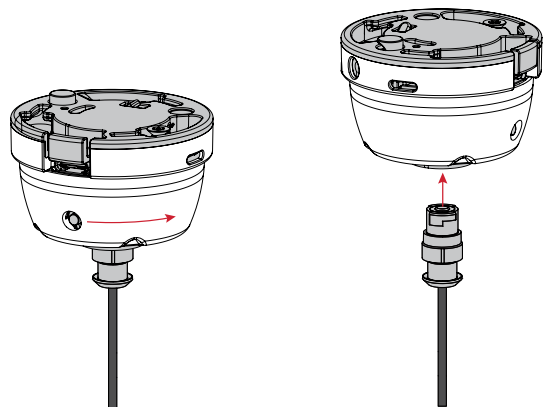


REMOVING PUCK FROM TETHER

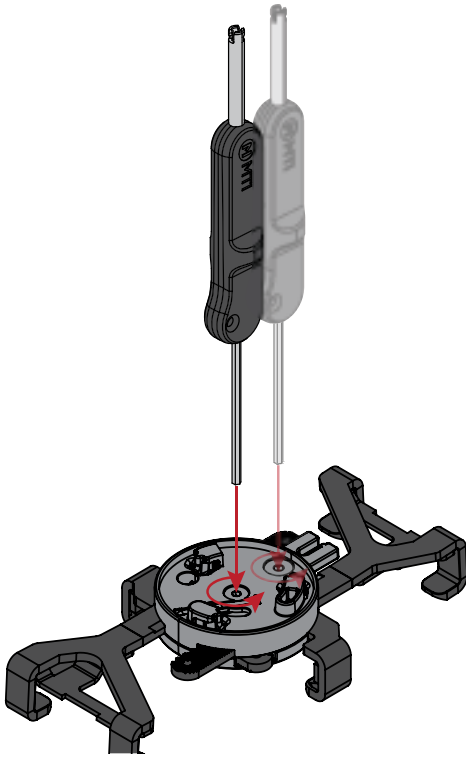
- 1** Lift puck out of riser, insert the crescent end of the Freedom Micro II tool into the opening below the charge port on the puck. Twist the Freedom Micro II tool counterclockwise to unlock the puck from the tether.



- 2** Once the puck is loose, rotate the puck 45 degrees counterclockwise in relation to the tether. Lift the puck off of tether connection.

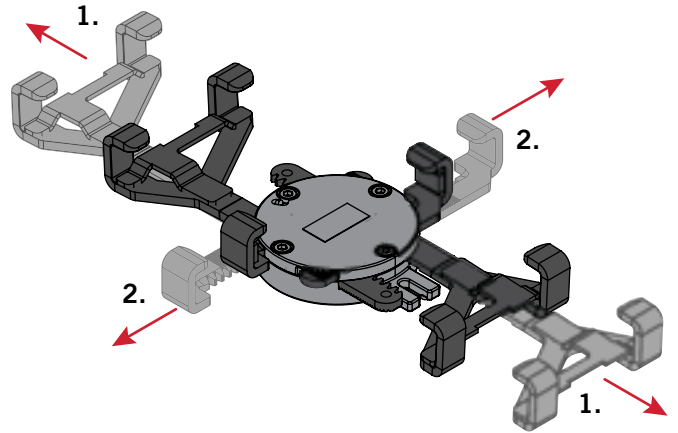


1 Loosen the arm locking security screws on the universal bracket to loosen the bracket arms.



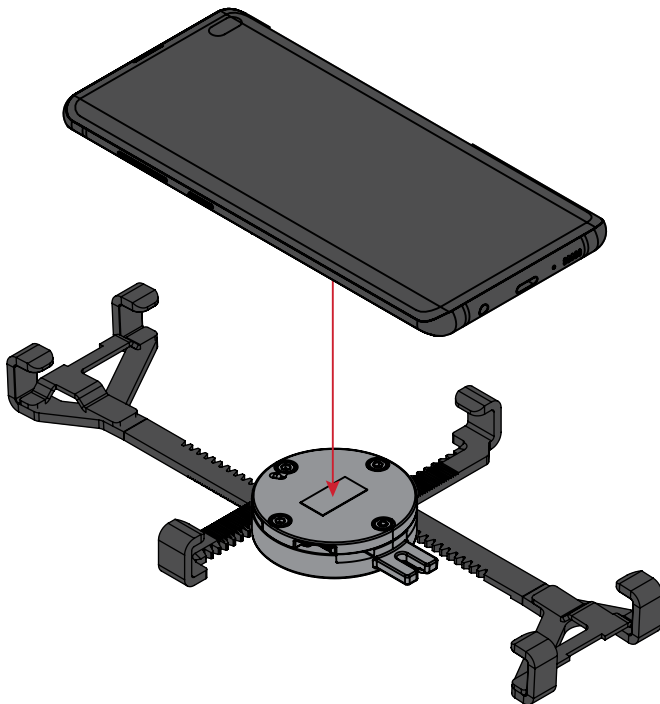
! Some brackets may only have center locking screw

2 Extend the bracket arms as far as needed. The bracket arms move simultaneously in pairs (top & bottom, and left & right).



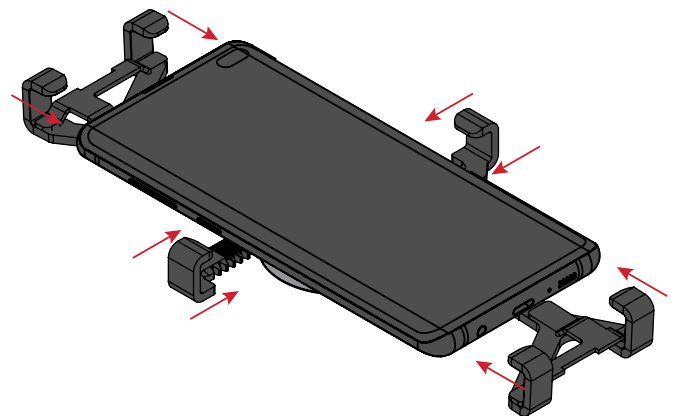
! Open the top and bottom bracket arms, then the side arms, in that order.

3 Place the phone into the universal bracket.

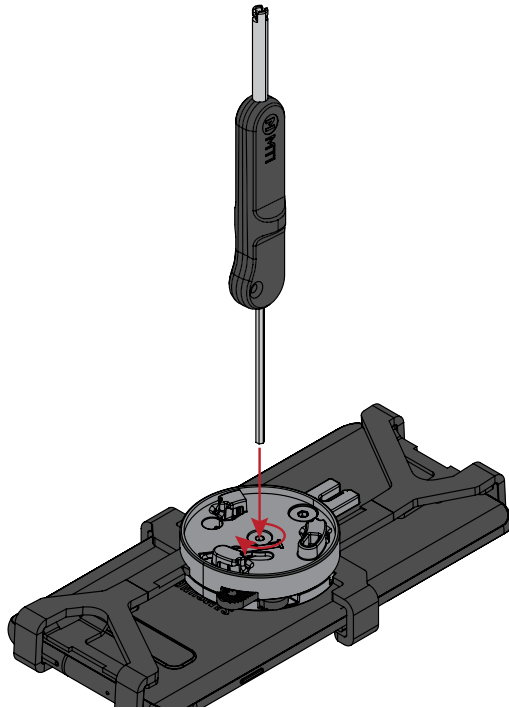


! Charge port of phone should face towards cable clip on SpeedBracket

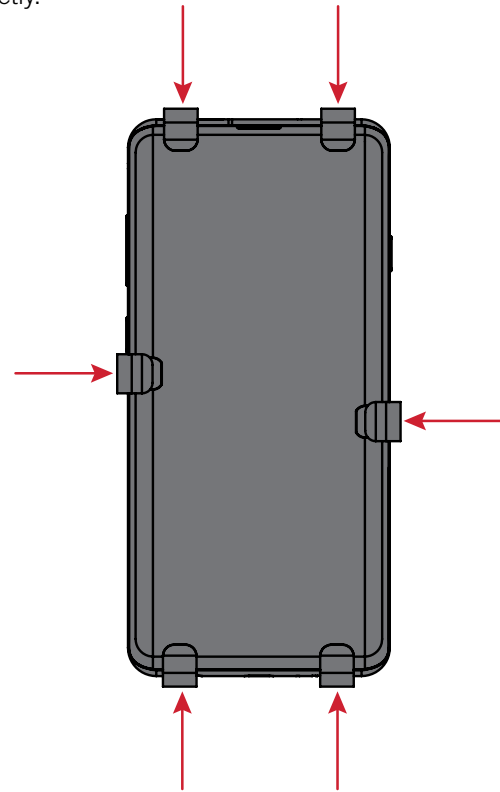
4 Adjust the universal bracket to fit the device snugly.



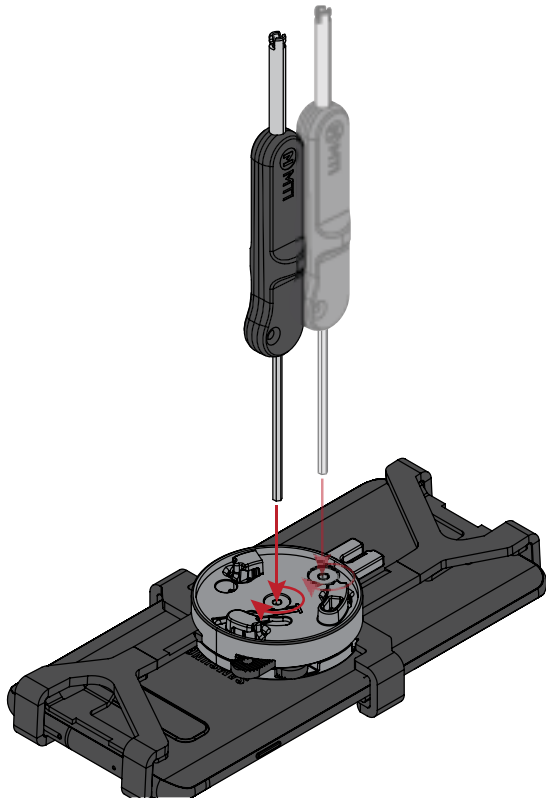
5 Tighten center locking security screw on the SpeedBracket™ to secure the bracket arms in place around the device. After tightening screws, wiggle the arms to ensure they have fully engaged the lock teeth.



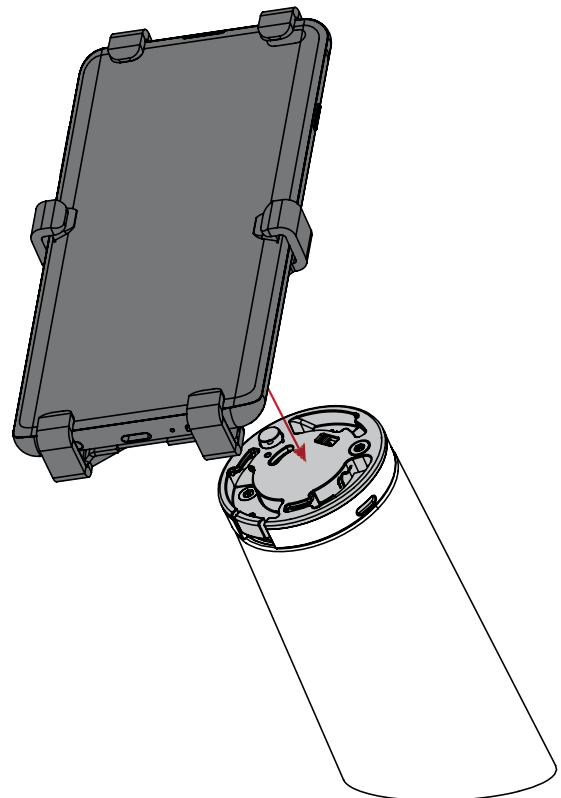
6 Place pressure on the top/bottom and the sides to try and move arms. This is to find if the arms did not seat correctly.



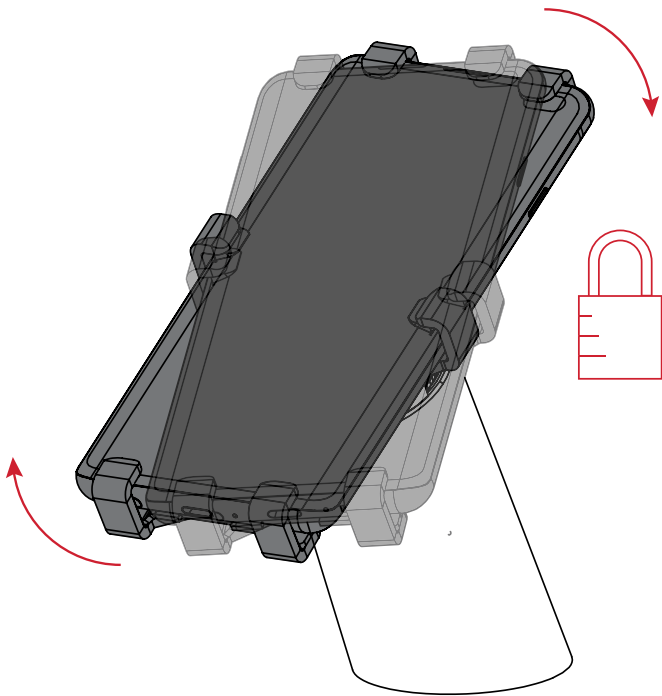
7 Tighten center screw again until tight. Tighten the other bracket security screw for additional security.



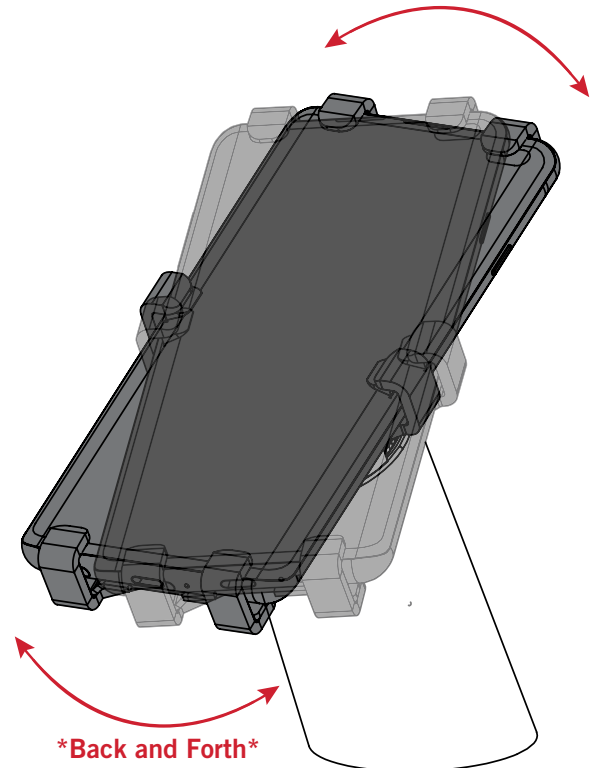
8 Place device back onto puck.



- 9** Rotate the device and bracket clockwise on the puck until it locks into place.



- 10** Grab the exposed portion of the puck with your thumb and forefinger. Move the phone back and forth to checking to ensure the bracket locked in place.

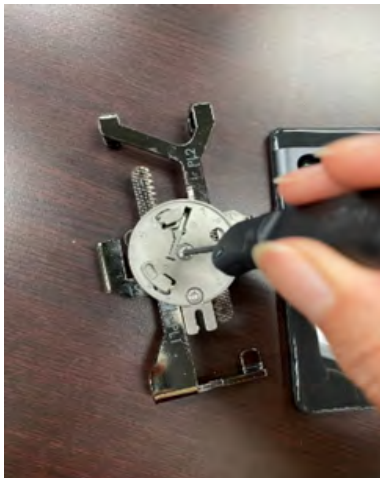


Occasionally, having the SpeedBracket medallion centered on the device may cover or partially cover a needed button on the edge of the phone. In those cases, the SpeedBracket can be offset on the device. The instructions below show the steps to offset up/ down. The same steps can be used to offset left/ right.

[Click Here for Video](#)



- 1** Using the Freedom Micro II tool, loosen the 2 security screws on the back of the medallion to loosen the bracket arms.



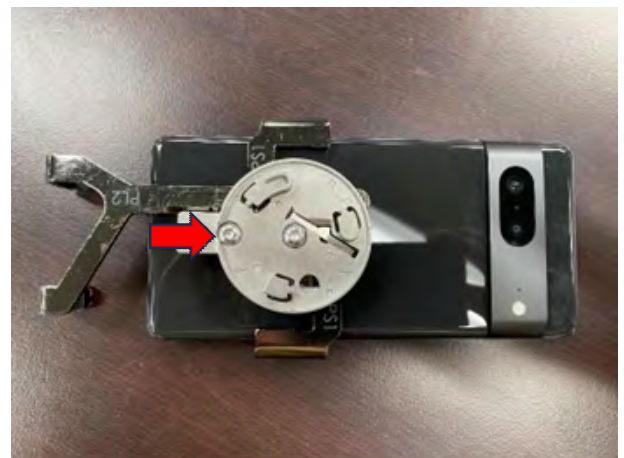
- 2** Slide the top (PL1) and bottom bracket (PL2) arms all the way out.



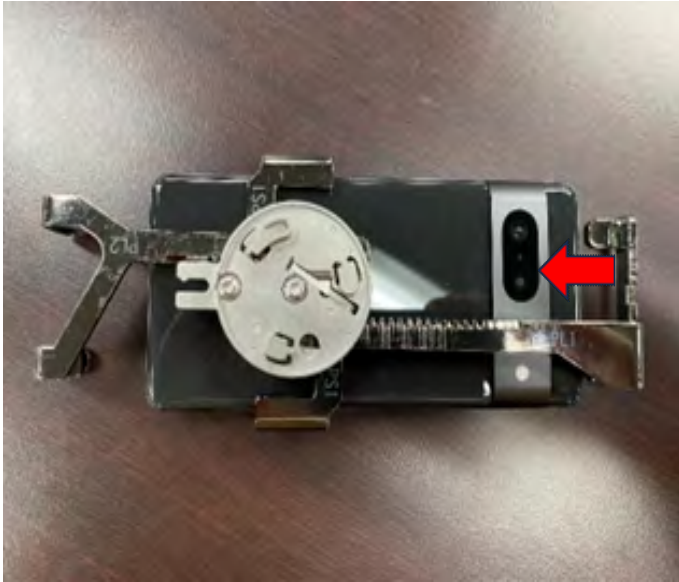
- 3** Place the side bracket arms (PS1) on the device, lining up with where they need to fit on the phone.



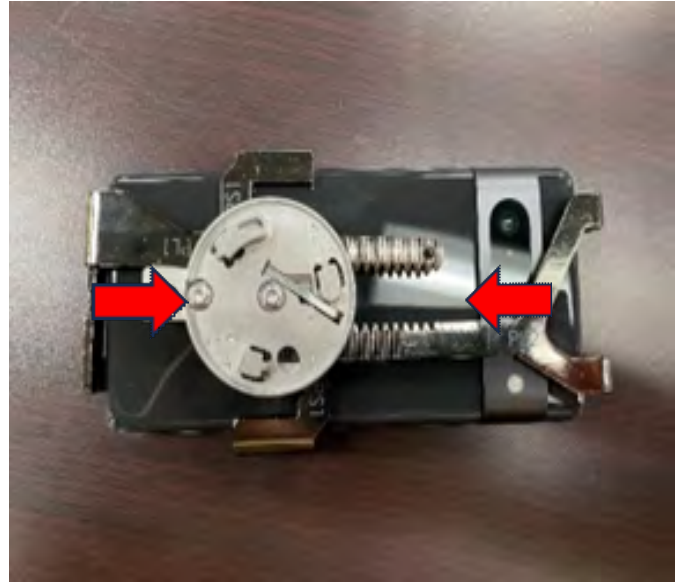
- 4** Slide in only the bottom bracket arm (PL2) part way, not all the way flush with the device.



5 Then, start to slide in the top bracket arm.



6 Slide both arms inwards and fit all bracket arms snugly around the device.



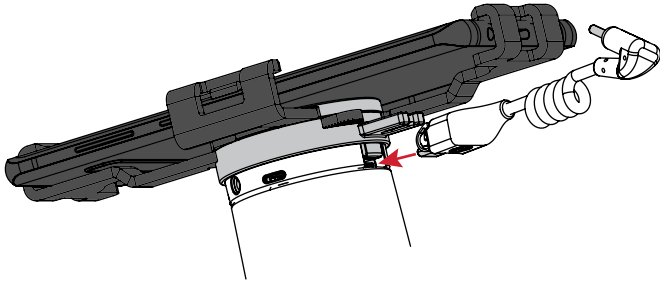
7 Make sure the bracket arms are not obstructing any needed buttons on the edge of the phone. If further adjustment is needed, repeat above steps until the bracket arms are lined up where they need to be.




8 Tighten the 2 security screws on the back.

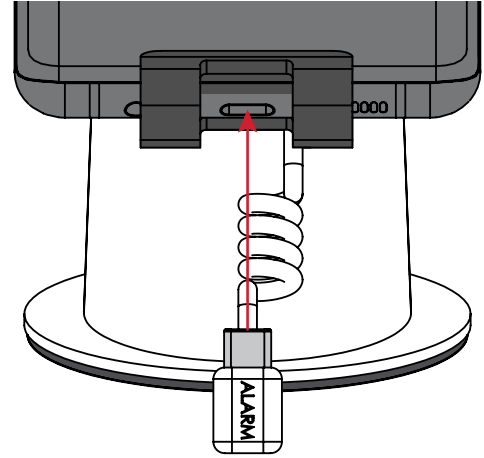


- 1** Insert SmartCable into the charge port on the puck. The hooks on cable should click when fully seated.



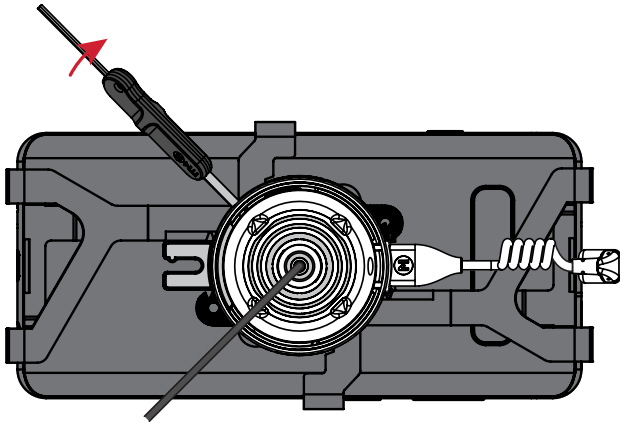
 Phone should be turned ON, and unlocked before inserting SmartCable™ while in MTI Connect® mode.

- 2** Plug SmartCable into the charge port of the device.

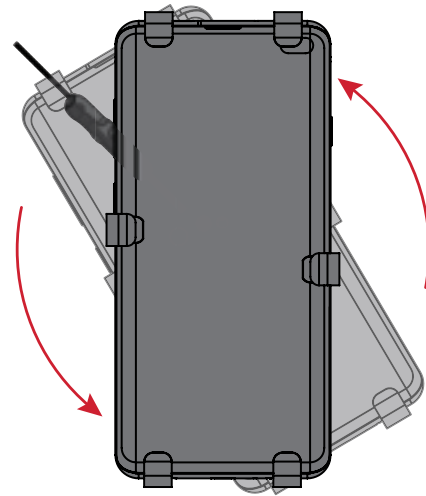


REMOVING SMARTCABLE

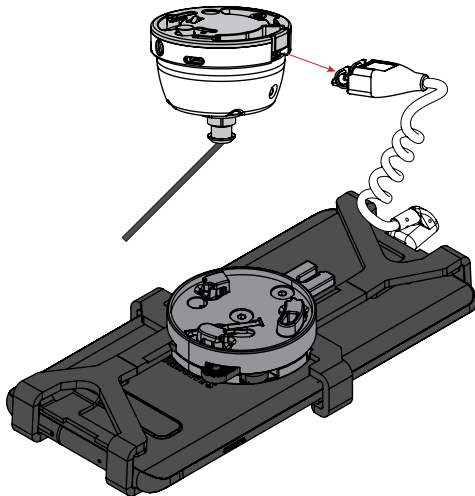
- 1** Insert the crescent end of the Freedom Micro II tool into the opening to the right of the LED. Twist the Freedom Micro II tool clockwise 45 degrees and hold it in place.



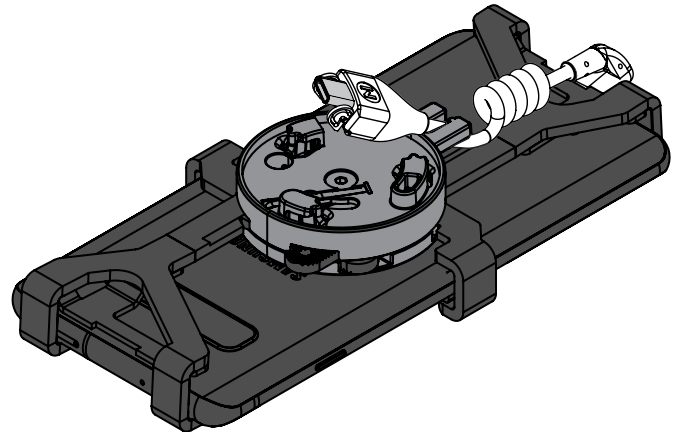
- 2** Twist the device and bracket off of the position.

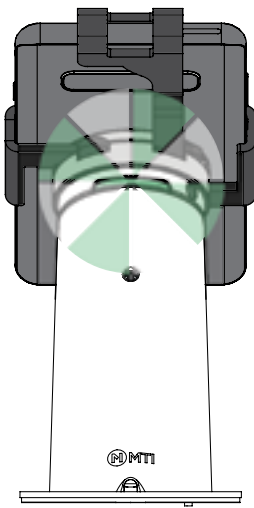
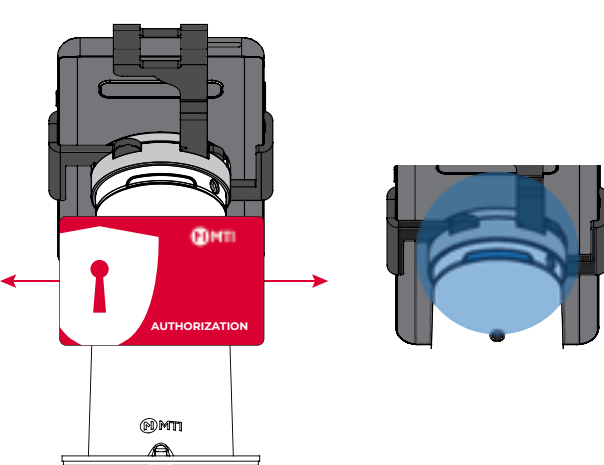
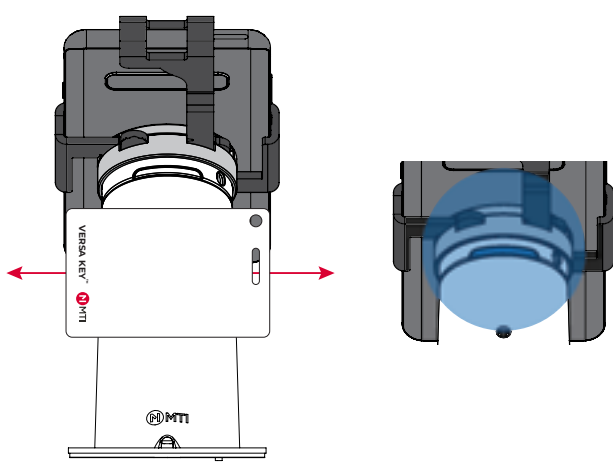
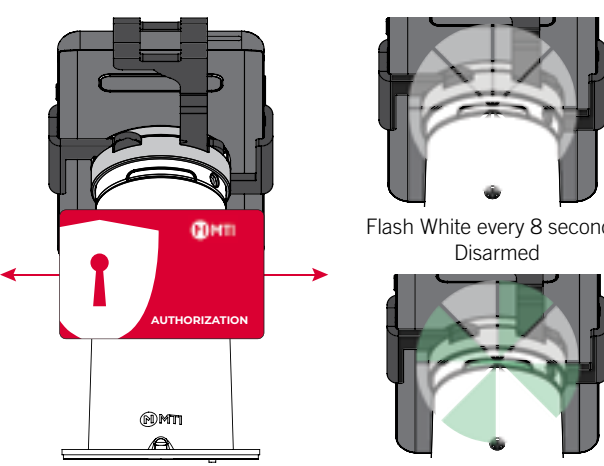
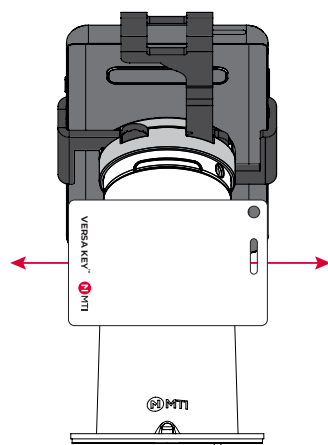
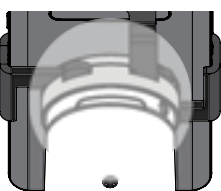

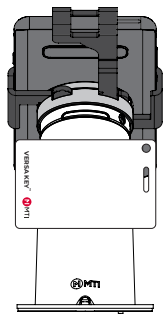
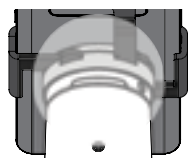
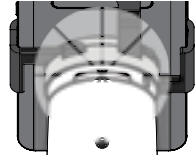


- 3** Remove the SmartCable from the puck.

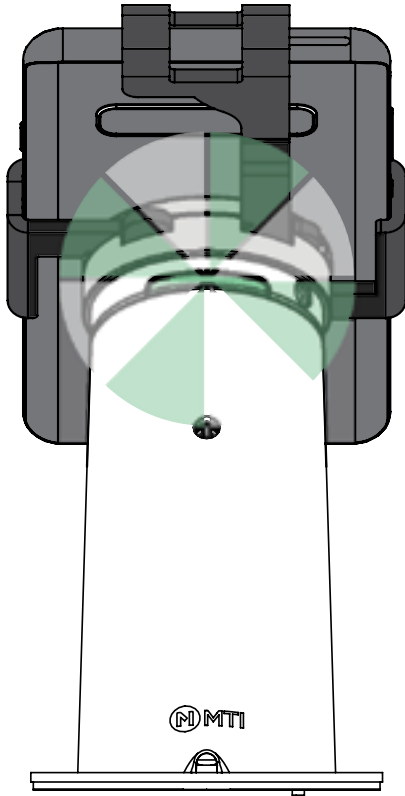


- 4** The loose cable can be clipped into SpeedBracket™ for easy storage.



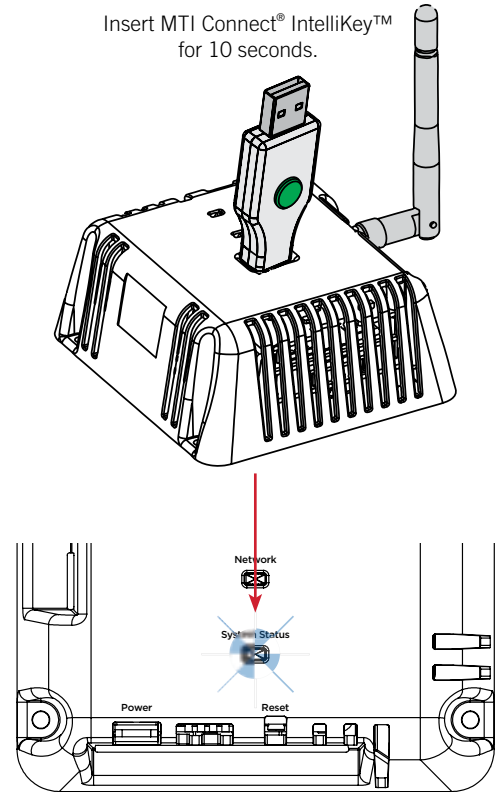
<h3 style="text-align: center;">Default Mode</h3> 	<h3 style="text-align: center;">Enter Standard Mode</h3>  <p style="text-align: center;">Double Beep</p>
<h3 style="text-align: center;">Program User Card</h3>  <p style="text-align: center;">Double Beep</p>	<h3 style="text-align: center;">Exit Programming Mode</h3>  <p style="text-align: center;">Double Beep</p> <p style="text-align: center;">Flash White every 8 seconds: Disarmed</p> <p style="text-align: center;">Auto time out if no user cards are added, reverts to Default mode.</p>
<h3 style="text-align: center;">Arm/Disarm Position</h3>  <p style="text-align: center;">Double Beep: Accepted Four Fast Beeps: Rejected</p>  <p style="text-align: center;">Solid White: Armed</p>  <p style="text-align: center;">Flash White every 8 seconds: Disarmed</p>	<h3 style="text-align: center;">Set Lockdown/Unlock While Armed</h3> <p>Tap and Hold Access Card for 10 seconds. It will double beep immediately, and double beep again after 10 seconds. Position will automatically lock down when armed, and unlock when disarmed when in Lockdown mode.</p>  <p style="text-align: center;">Double Beep: Accepted</p> <p style="text-align: center;">Four Fast Beeps: Rejected</p>  <p style="text-align: center;">Solid White: Armed - Locked</p>  <p style="text-align: center;">Flash White Every 8 Seconds: Disarmed - Automatically unlocks</p>

Default Mode

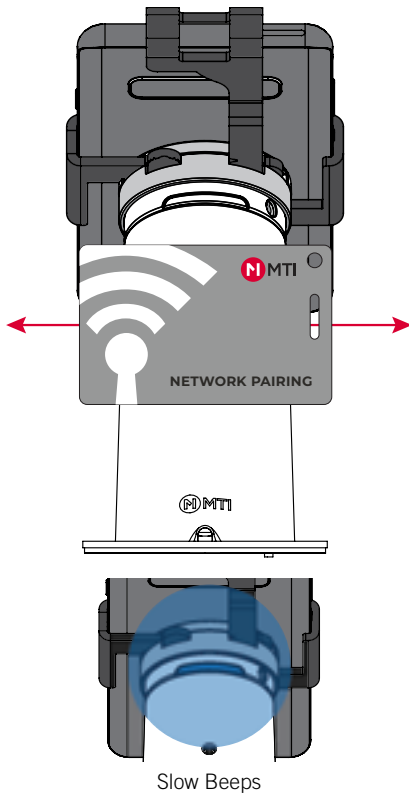


Enable Pairing Mode on MTI Connect Hub

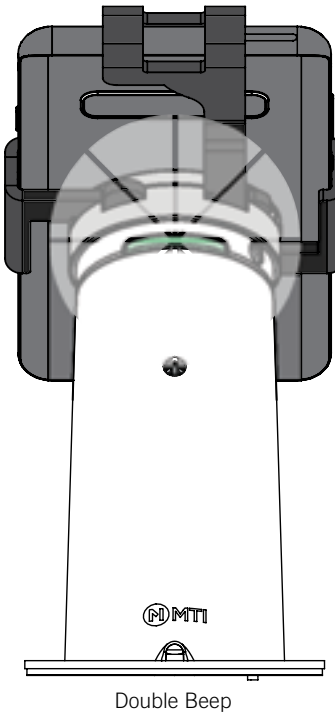
Insert MTI Connect® IntelliKey™ for 10 seconds.



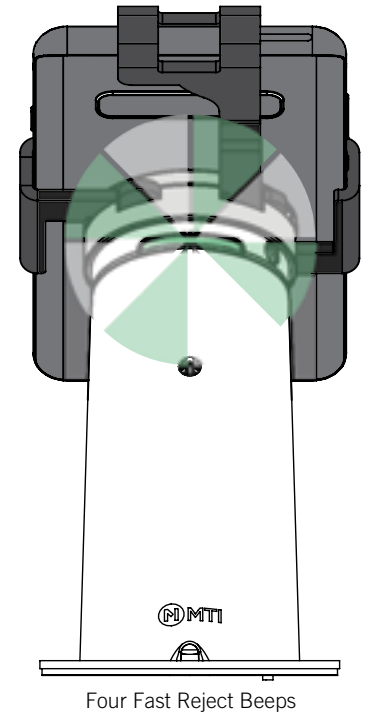
Enter Network Mode

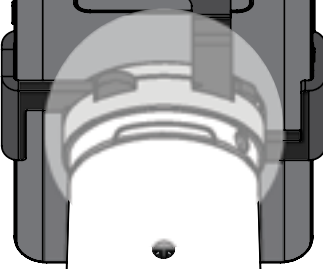
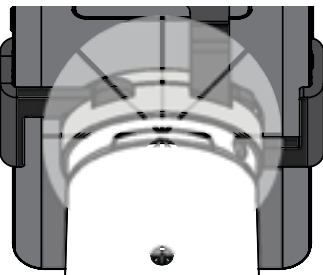
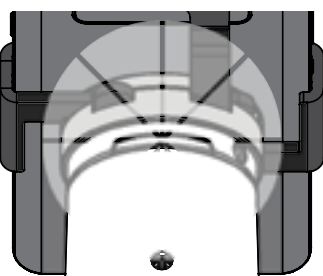
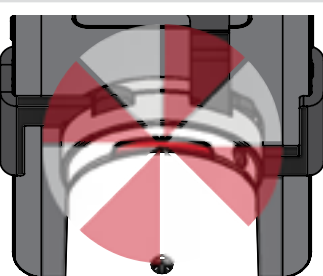

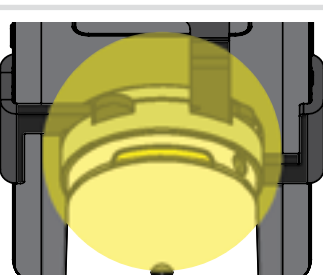



Position connects successfully to mesh network:



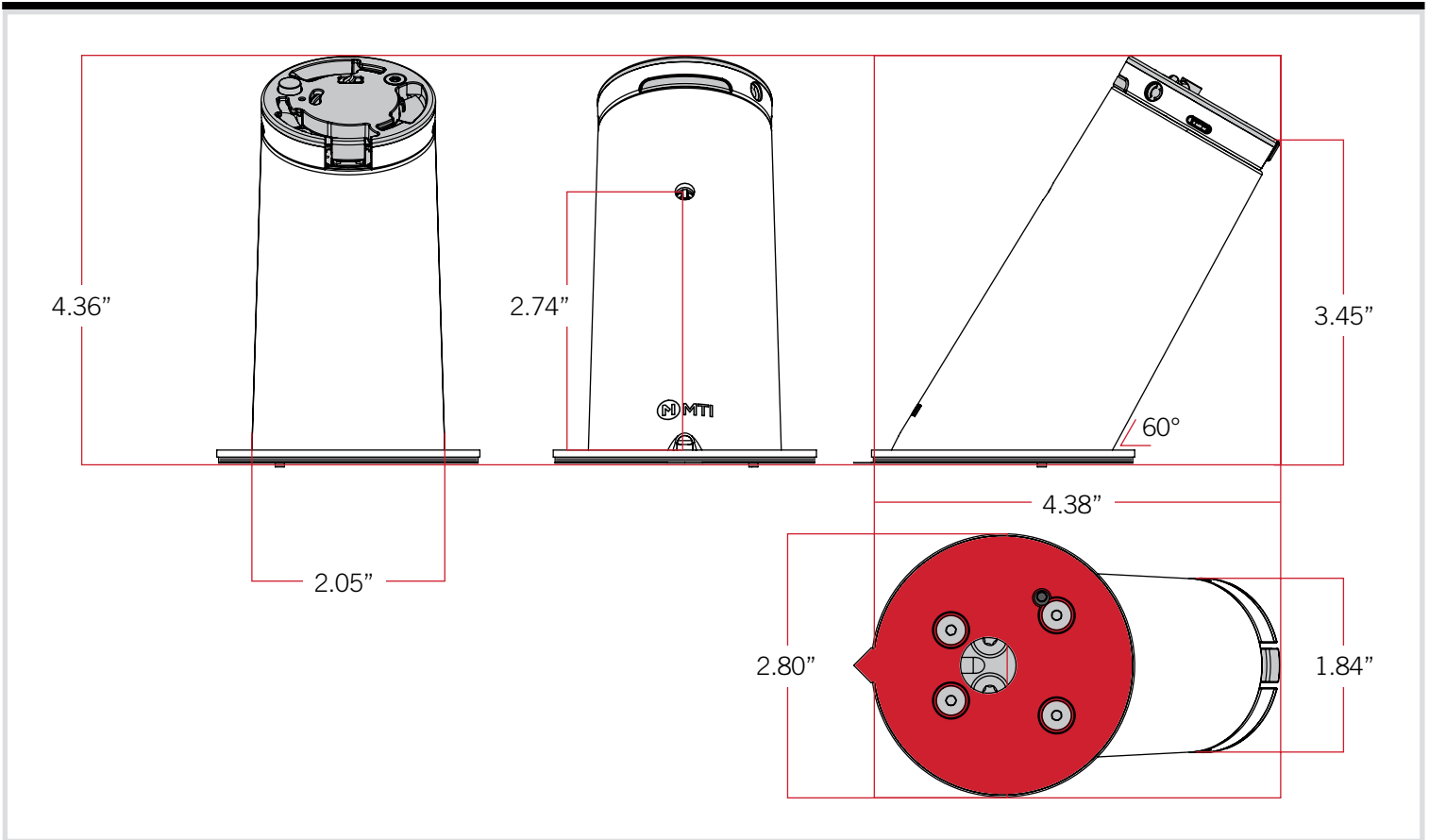
Position fails to connect to mesh network within 3 minutes:



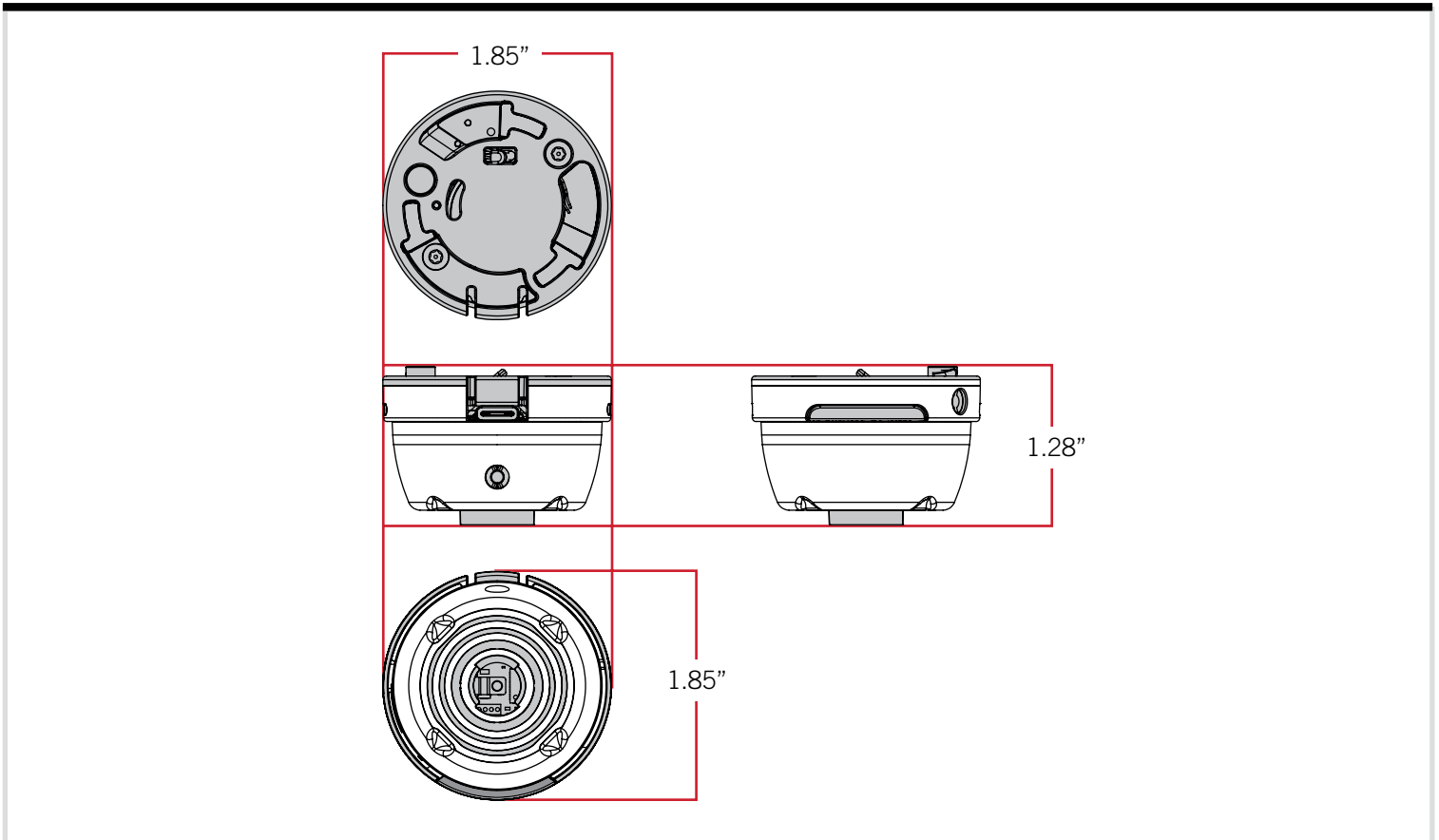
Visual Reference	System Status	Condition
	<p>Solid White</p>	<p>Puck is armed and docked.</p>
	<p>Single white flash every 5 seconds</p>	<p>Puck is armed and lifted.</p>
	<p>Double white flash every 8 seconds</p>	<p>Puck is docked, but not armed, puck is connected to a mesh network.</p>
	<p>Flashing Red and White with audible alarm</p>	<p>Alarm has been triggered. silence the alarm and inspect the tether, puck trigger, and base trigger.</p>
	<p>Flashing Red and White with no audible alarm</p>	<p>Puck is in silent alarm mode. The audible alarm has exceeded 5 minutes and the position is unable re-arm itself. inspect the tether, puck trigger, and base trigger before attempting to arm the puck.</p>
	<p>Solid Yellow</p>	<p>Puck is armed, docked, but has lost it's network connection. Ensure the puck is within range of the MTI Connect® Hub. Try network pairing again. *Only applicable when the puck is being used with the MTI Wireless Network.</p>

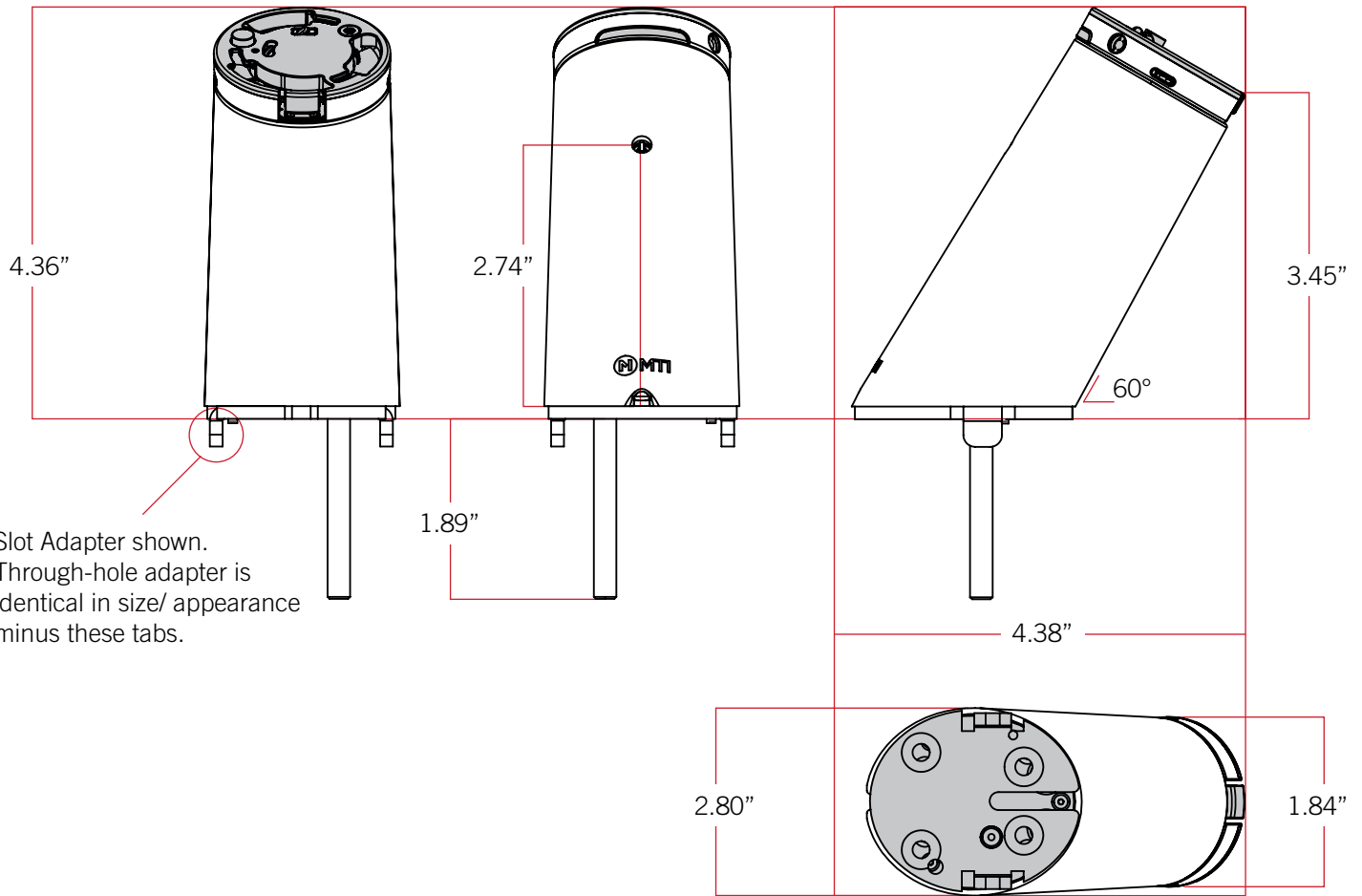
Visual Reference	System Status	Condition
	<p>Flashing Yellow Every 5 Seconds</p>	<p>Puck is armed, lifted, puck is NOT connected to a mesh network. Only applicable in Network Mode.</p>
	<p>Solid Blue</p>	<p>After tapping an authorization card: The puck is in enrollment mode. Tap VersaKey™ to authorize them for use in standard mode. Enrollment mode closes automatically in 3 minutes.</p> <p>In normal use: Overcurrent in charging circuit – most likely a problem in the SmartCable™.</p>
	<p>Flashing Blue</p>	<p>Puck has entered network pairing mode. Stops upon successful pairing, or after 90 seconds.</p>
	<p>Multi-colored flash</p>	<p>Puck has received an “identify” command from a user of the MTI Connect® software.</p>
	<p>Flashing Green</p>	<p>Puck is disarmed in factory default mode. Complete the setup for Standard or Network mode to use VersaKey™ or MTI Connect®.</p> <p>Note: The puck may automatically arm while in this default mode, as long as all triggers are closed for 15 minutes. Once it arms, the LED will turn solid white.</p>
		

RISER DIMENSIONS



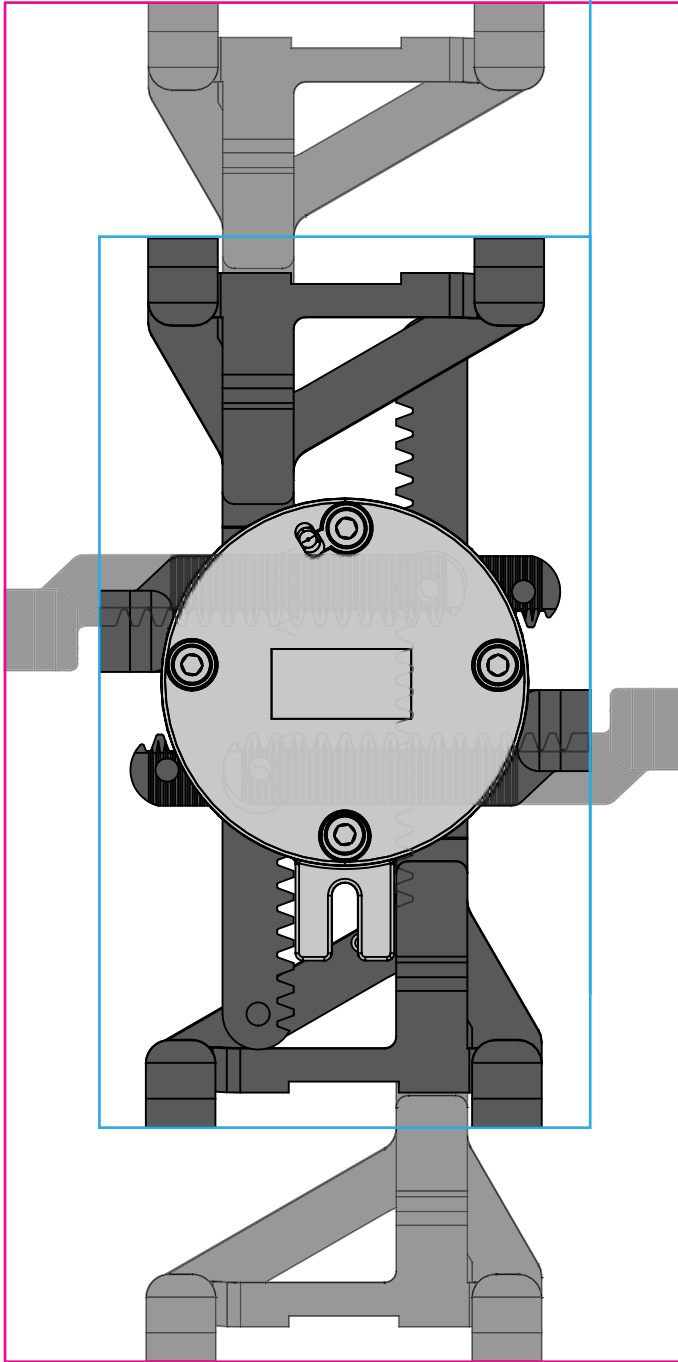
PUCK DIMENSIONS



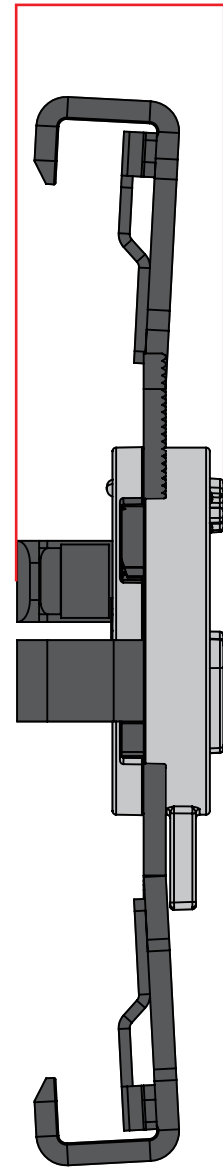


MAXIMUM: 180mm H x 90mm W

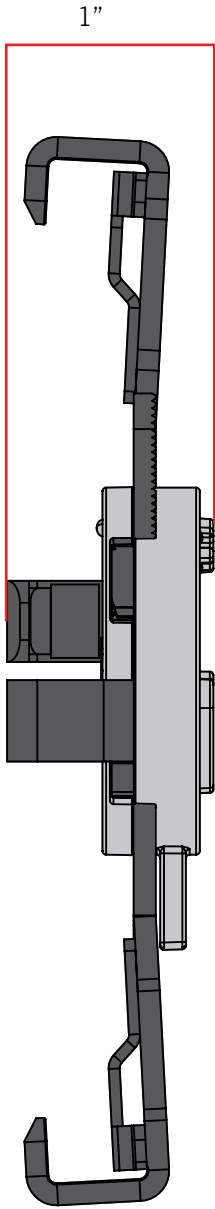
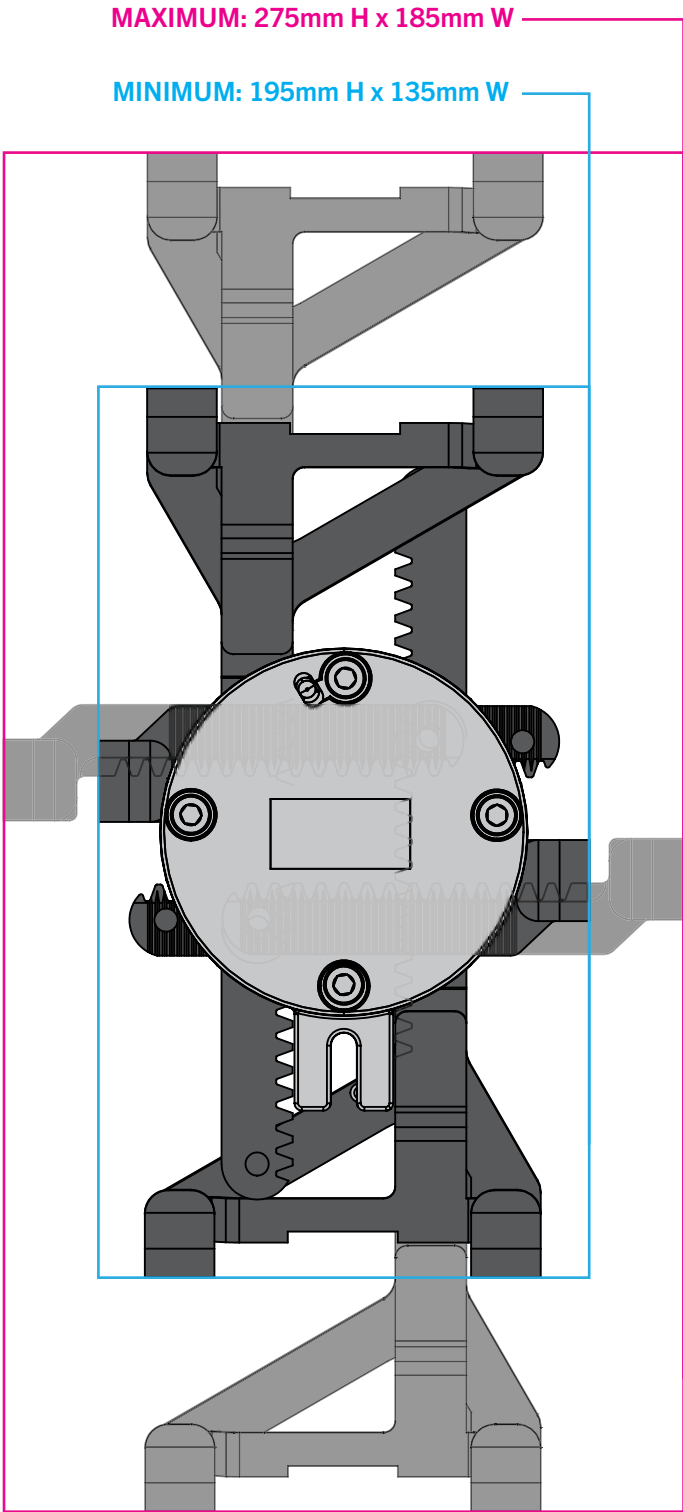
MINIMUM: 118mm H x 65mm W



1.11"



Accommodates Phones
7-9mm Thick



**Accommodates Tablets
4 - 7mm Thick**

FCC ID: 2AA2X-15000282**Model: FREEDOM MICRO II HS, FREEDOM MICRO II****FCC Statement**

This device complies with Part 15 of the FCC Rules.

Caution: If any changes or modifications not expressly approved by the party responsible for compliance could void the user's authority to operate the equipment.

Operation is subject to the following two conditions: (1) This device may not cause harmful interference, and (2) This device must accept any interference received, including interference that may cause undesired operation.

The grantee is not responsible for any changes or modifications not expressly approved by the party responsible for compliance. Such modifications could void the user's authority to operate the equipment.

The RF Exposure Compliance distance is 20 millimeters.

NOTE: This equipment has been tested and found to comply with the limits for a Class B digital device, pursuant to part 15 of the FCC Rules. These limits are designed to provide reasonable protection against harmful interference in a residential installation. This equipment generates, uses and can radiate radio frequency energy and, if not installed and used in accordance with the instructions, may cause harmful interference to radio communications. However, there is no guarantee that interference will not occur in a particular installation. If this equipment does cause harmful interference to radio or television reception, which can be determined by turning the equipment off and on, the user is encouraged to try to correct the interference by one or more of the following measures:

- Reorient or relocate the receiving antenna.
- Increase the separation between the equipment and receiver.
- Connect the equipment into an outlet on a circuit different from that to which the receiver is connected.
- Consult the dealer or an experienced radio/TV technician for help.

ISED Certification Number: 24439-15000282**Model: FREEDOM MICRO II HS, FREEDOM MICRO II****ISED Statement**

This device complies with Innovation, Science and Economic Development Canada licence-exempt RSS standard(s). Operation is subject to the following two conditions: (1) this device may not cause interference, and (2) this device must accept any interference, including interference that may cause undesired operation of the device.

CAN ICES-3(B)/NMB-3(B)

Le présent appareil est conforme aux CNR Innovation, Sciences et Développement économique Canada applicables aux appareils radio exempts de licence. L'exploitation est autorisée aux deux conditions suivantes:

(1) il ne doit pas produire de brouillage et (2) l'utilisateur du dispositif doit être prêt à accepter tout brouillage radioélectrique reçu, même si ce brouillage est susceptible de compromettre le fonctionnement du dispositif.

CAN ICES-3(B)/NMB-3(B)

The device meets the exemption from the routine evaluation limits in section 2.5 of RSS 102 and compliance with RSS-102 RF exposure, users can obtain Canadian information on RF exposure and compliance.

Le dispositif rencontre l'exemption des limites courantes d'évaluation dans la section 2.5 de RSS 102 et la conformité à l'exposition de RSS-102 rf, utilisateurs peut obtenir l'information canadienne sur l'exposition et la conformité de rf.

This transmitter must not be co-located or operating in conjunction with any other antenna or transmitter. This equipment should be installed and operated with a minimum distance of 20 millimeters between the radiator and your body.

Cet émetteur ne doit pas être Co-placé ou ne fonctionnant en même temps qu'aucune autre antenne ou émetteur. Cet équipement devrait être installé et actionné avec une distance minimum de 20 millimètres entre le radiateur et votre corps.

Technical Data

Operating Temperature:	0°C to 40°C
Operating Frequency:	2405 MHz to 2480 MHz
Max Power:	Less than 4 dBm at 2.4 GHz
Operating Frequency:	125kHz
Max Power:	Less than 20 dBuA/m at 3m

données techniques

Température de fonctionnement :	0°C à 40°C
Fréquence de fonctionnement :	2405 MHz à 2480 MHz
Puissance maximale :	moins de 4 dBm à 2,4 GHz
Fréquence de fonctionnement :	125kHz
Puissance maximale :	moins de 20 dBuA/m à 3 m

Additional Safety Information

1. For indoor use only. The apparatus shall not be exposed to water.
2. No user replaceable parts inside; refer servicing to manufacturer or qualified service personnel.
3. Only use accessories specified by the manufacturer.
4. Do not expose to excessive heat sources.

Disposal: All electrical and electronic products including batteries should be disposed of separately from the municipal waste stream via designated collection facilities appointed by the government or the local authorities.

1. Pour une utilisation en intérieur uniquement. L'appareil ne doit pas être exposé à l'eau.
2. Aucune pièce remplaçable par l'utilisateur à l'intérieur ; confier l'entretien au fabricant ou personnel de service qualifié.
3. Utilisez uniquement les accessoires spécifiés par le fabricant.
4. Ne pas exposer à des sources de chaleur excessives.

Élimination : Tous les produits électriques et électroniques, y compris les batteries, doivent être éliminés séparément du flux de déchets municipaux via des centres de collecte désignés par le gouvernement ou les autorités locales.



This product contains a rechargeable battery. Proper storage, use, and disposal of the battery is important. Please refer to the guidelines below:

- i. Properly dispose of the battery; Do not dispose of the battery into a furnace/oven or into a fire or mechanically crush or cut the battery, as this could cause the battery to explode.
- ii. Storing the battery in an environment at higher temperatures than stated above can result in explosion or leaking of flammable liquid or gas.
- iii. Subjecting a battery to very low air pressure or high altitudes can result in explosion or leaking of flammable liquid or gas.

Low Battery Indicator:

The puck features a low battery indicator to let you know when it's time to replace the battery.

1. Beeping on Pickup:

If the puck emits a single beep when you lift it off the riser, the battery is running low.
Replace the battery at your earliest convenience to avoid security risk.

2. Beeping and LED Flashing:

If the puck beeps and its LED flashes red, green, and blue after you place it back in the riser, the battery is completely dead and unusable.
Replace the battery immediately.

Ce produit contient une batterie rechargeable.
Stockage, utilisation et

l'élimination de la batterie est importante. Veuillez vous référer aux directives ci-dessous :

- i. Éliminez correctement la batterie ; Ne pas jeter de la batterie dans un four/four ou dans un feu ou écraser ou couper mécaniquement la batterie, car cela pourrait faire exploser la batterie.
- ii. Stockage de la batterie dans un environnement à plus haute températures que celles indiquées ci-dessus peuvent entraîner explosion ou fuite de liquide ou de gaz inflammable.
- iii. Soumettre une batterie à une pression d'air très basse ou les hautes altitudes peuvent provoquer une explosion ou une fuite de liquide ou gaz inflammable.



Safety Warnings and Precautions

DANGER

- LITHIUM-ION BATTERIES CAN POSE A RISK OF FIRE, PROPERTY DAMAGE AND SERIOUS INJURY IF DAMAGED OR USED PAST THEIR EFFECTIVE LIFE (USUALLY 14 MONTHS).
- STOP USING THE BATTERY IMMEDIATELY AND STOP CHARGING THE BATTERY IF ABNORMAL HEAT, ODOR, DISCOLORATION, DEFORMATION/SWELLING OR ANY OTHER ABNORMAL CONDITION IS DETECTED.
- Thoroughly read the user's manual before use, as inaccurate handling, storage or use of lithium-ion rechargeable batteries may cause leakage, heat, smoke, fire, or degrade battery performance.
- Lithium-Ion batteries have finite life cycles. If the time that the battery powers equipment between charges becomes shorter than usual, the battery life is at an end. Remove device from service and contact MTI for guidance on replacement options.

CAUTION

- Keep away from heat or open flame, especially if leakage or an odor is detected.
- When not using the battery for an extended period, remove the electronic device from service and store in a place with low humidity and controlled room temperature. Keep the cells in 50% charged state during long period storage. Recommend maintenance is to charge the battery up to 50% of the total capacity every 3 months after receipt of the battery and maintain the voltage 3.7~4.0V.
- Extended or improper storage can result in degraded battery performance and increased risk of failure.

FIRST AID MEASURES

- In case of battery rupture, evacuate personnel from contaminated area and provide maximum ventilation to clear out fumes and gases. Avoid contact with any liquid leaking from the battery.
- If liquid leaks onto your skin or clothes, immediately flush affected areas with plenty of water and soap for at least 15 minutes and seek medical attention. Do not apply ointments unless instructed by a doctor.
- If liquid is leaking from the battery cell gets into your eyes, do not rub your eyes. Immediately flush with plenty of water (eyelids-held open) for at least 15 minutes and seek medical attention.