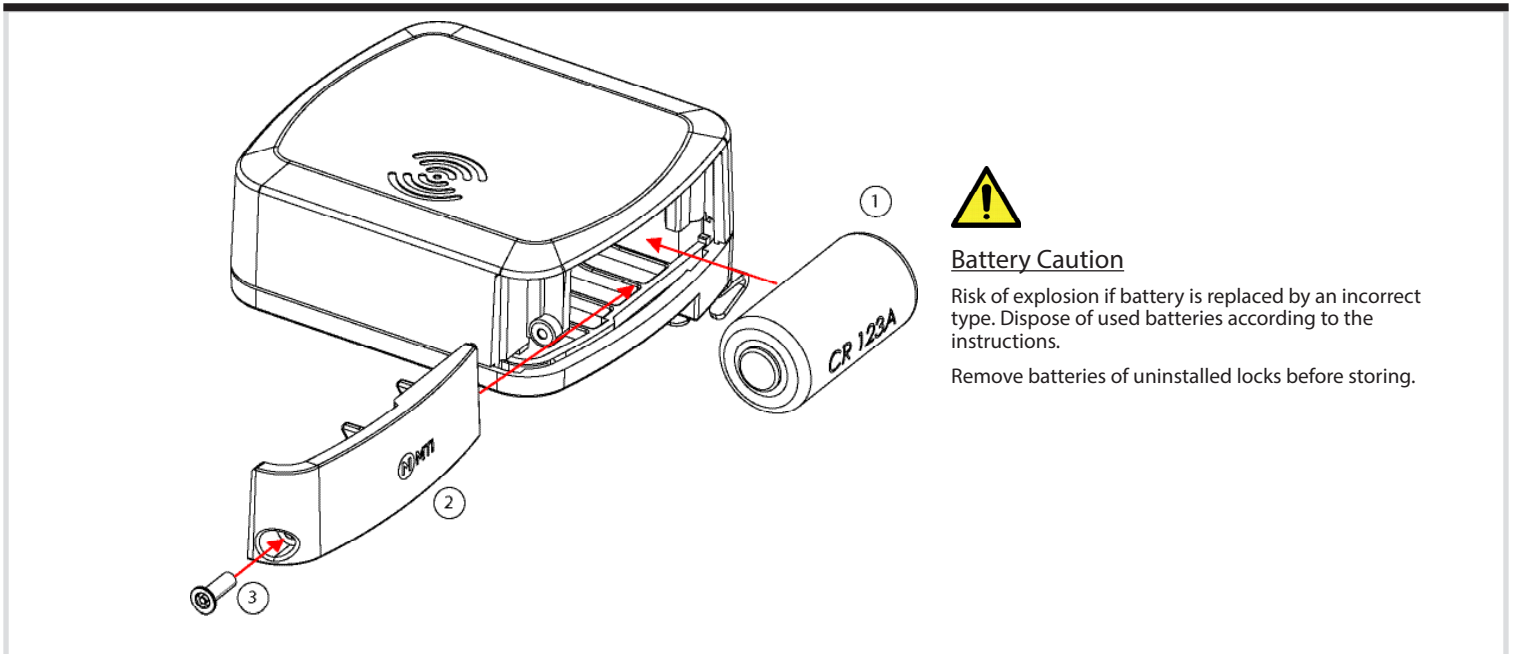


BATTERY



<p>Key Starter Set – 185-00459</p> <p>x1 x2</p>	<p>User Key Bulk (x5) Pack - 185-00460</p> <p>x5</p>	<p>Connect Card - 401-00008</p> <p>x1</p>
---	--	---

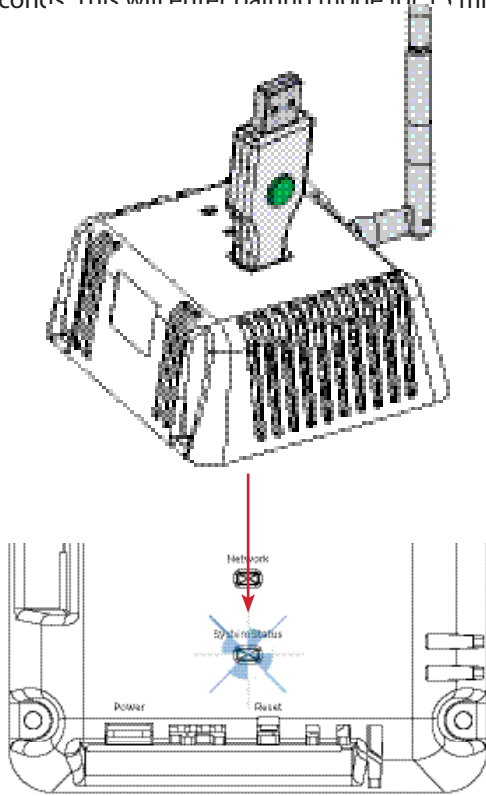
KEY REGISTRATION (Non-Connect) - Complete ALL programming before installing

<p>1 Swipe Authorization card to enter enrollment mode. You will hear a double beep tone, indicating enrollment mode has been entered.</p>	<p>2 Swipe each User card to lock. A double beep tone indicates a card is now enrolled. Repeat for each user card, up to 250 user cards. If a card fails to be recognized, the lock will emit 4 fast beeps.</p>	<p>3 Swipe Authorization card again to close enrollment mode. Enrollment mode times out after 3 minutes of no activity. Lock will emit 4 fast beeps when enrollment has timed out.</p>
--	---	--

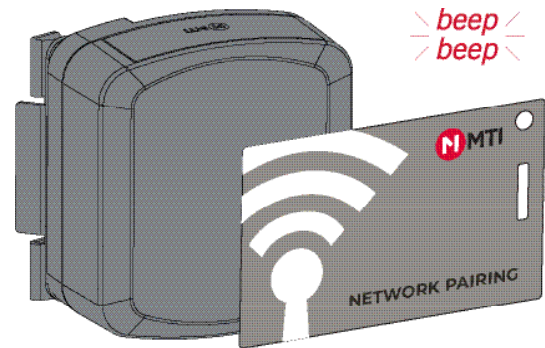
DELETING KEYS (Non-Connect Mode Only)

<p>1 Hold Authorization Card to lock for 10 seconds.</p>	<p>2 After 10 seconds you will hear a double beep, and the whitelist will be cleared. Lock automatically enters key enrollment mode. At least one Versa User Key needs to be added successfully. If no User Key is added during enrollment mode, authorization card will be deleted and lock will return to default mode.</p>
--	---

- 1 Insert MTI Connect® IntelliKey™ into Connect Hub for 10 seconds. This will enter pairing mode for 15 minutes.

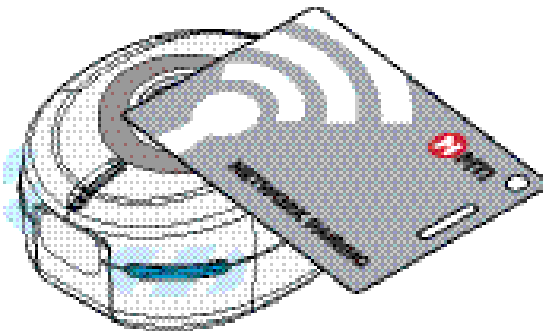


- 2 Swipe Pairing card to lock. Lock will start slowly beeping confirming it is looking for Connect® network. Upon successfully pairing the lock will emit a double beep. Lock will automatically download key whitelist from network.

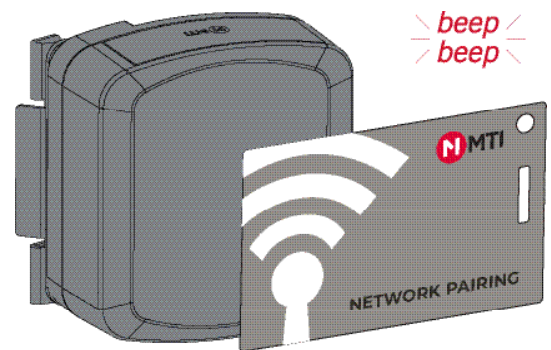


PAIRING VERSA EX

- 1 Place Pairing Card over the RFID icon to place Versa EX in pairing mode. LED will be flashing blue.

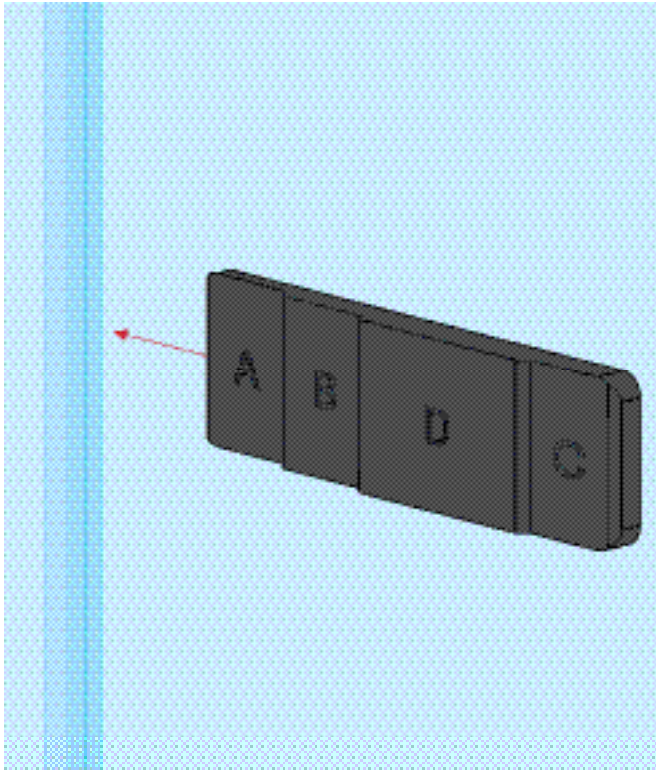


- 2 Swipe Pairing card to lock. Lock will start slowly beeping confirming it is looking for Versa EX network. Upon successfully pairing the lock will emit a double beep. Lock will automatically download key whitelist from Versa EX.

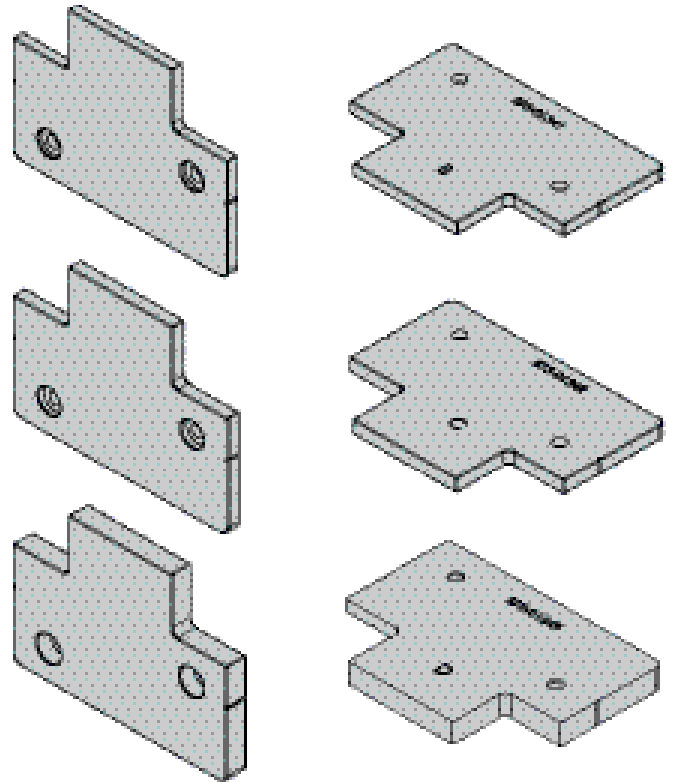


Full Versa EX programming can be found in guide 063-00393

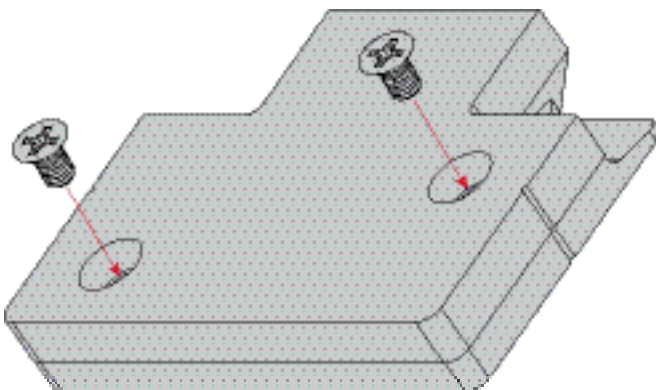
- 1 Insert the gauge into the gap between the front and back panel doors.



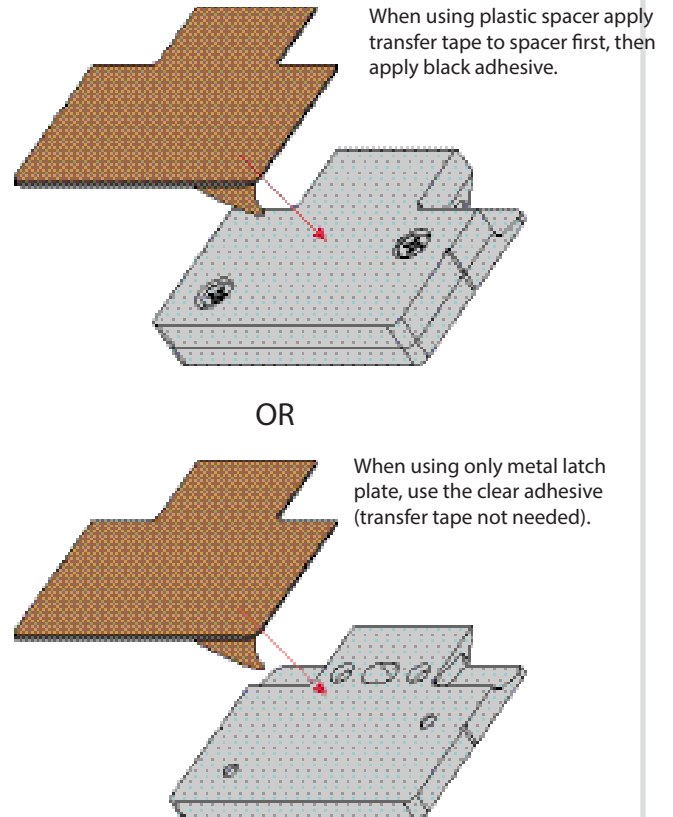
- 2 The letter closest to the edge behind the front panel indicates the spacer required to fill the gap. "A" does not require an additional spacer.



- 3 If spacer is required, secure spacer to latch using the two included screws. If no spacer is required, proceed to step 4.

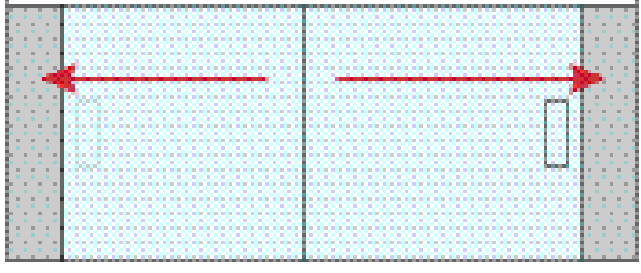


- 4 Apply adhesive to the back of the spacer or to the back of the latch if the spacer is not used.

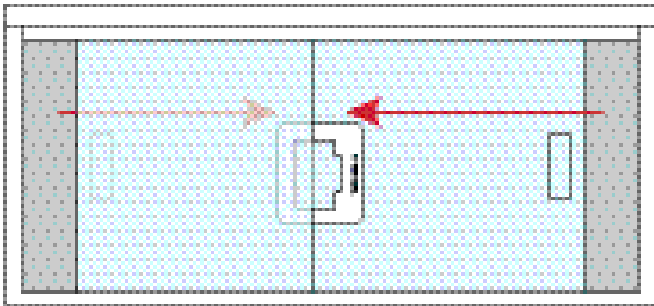


- 1** Ensure that keys have been correctly registered and locks have been completely set up before installing.

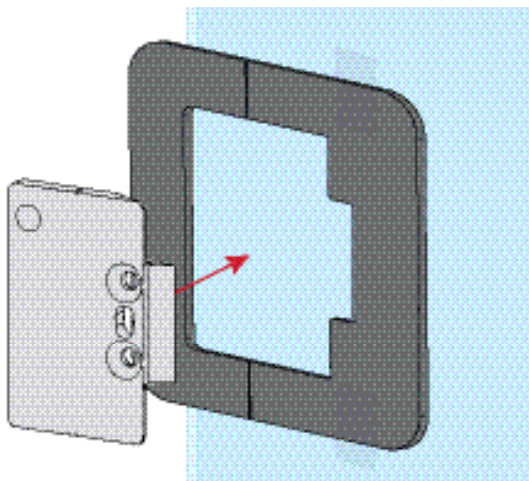
Fully close the sliding doors. Clean the area where lock will be placed with alcohol wipe.
For glass doors, Novus primer is recommended to improve adhesion.



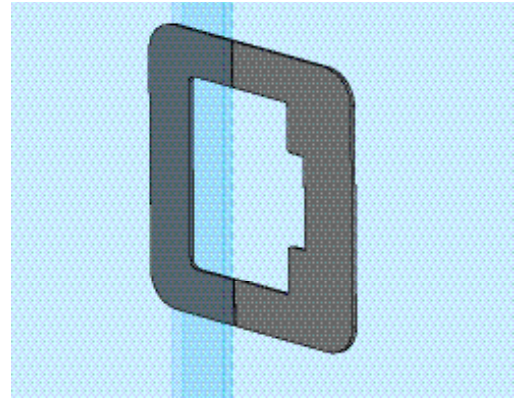
- 3** Open the sliding doors to fully expose the latch template, which will aid in placement.



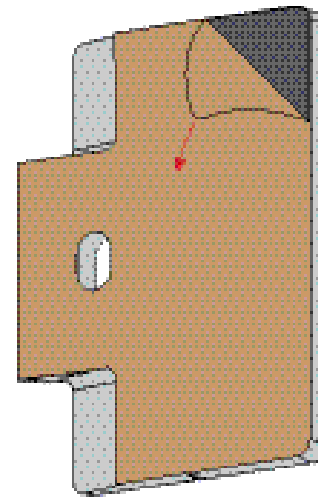
- 5** Place the latch into the opening on the template taped to the back cabinet door's surface.



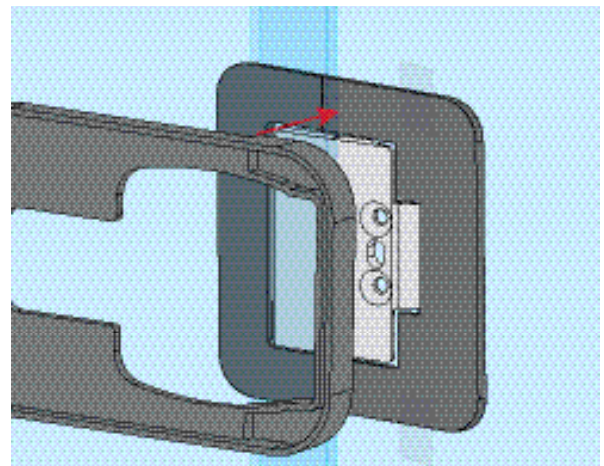
- 2** Place Template B on the back panel and slip it between the panels. The template notch should face away from the front panel, aligning the molded line on the template with the edge of the front glass pane. Use tape to set the template in place.



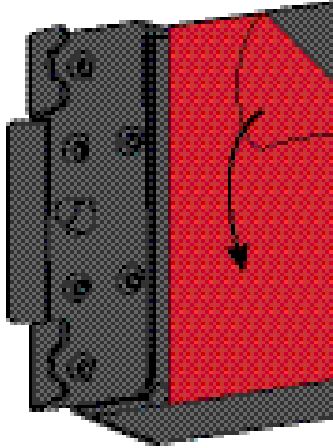
- 4** Peel the backing off the VHB on the latch.



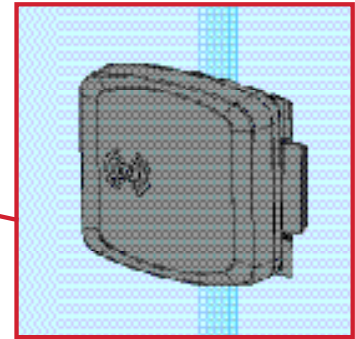
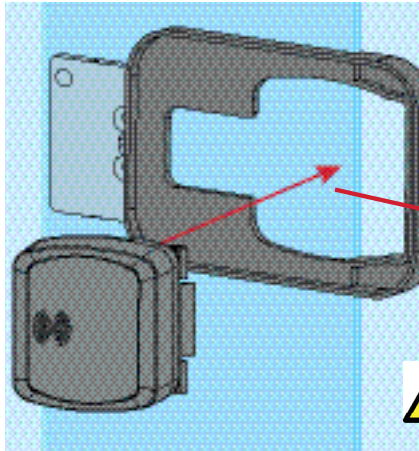
- 6** Slide the remaining door so lines up with the line on Template B. Place Template A on the front door so it lines up with Template B. Remove Template B.



7 Peel VHB on the back of the lock body.



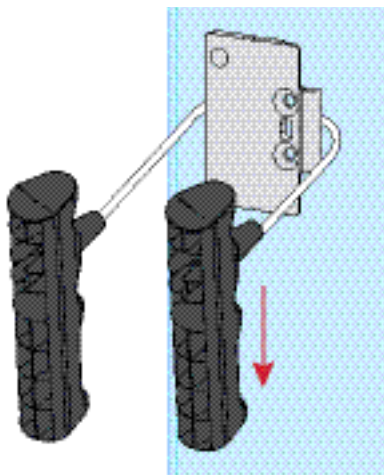
8 Place the lock body in Template A, ensuring that the latch on the back is flush to the edge of the door. Remove Template A.



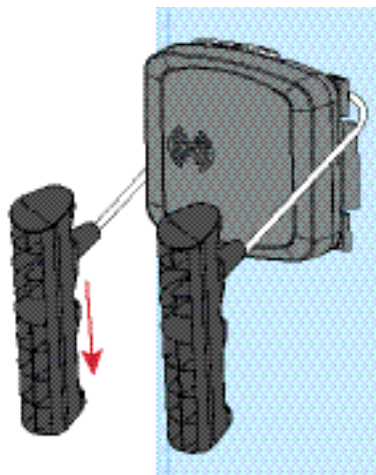
Note: Make sure keys have been programmed to lock prior to this step.

LOCKREMOVAL

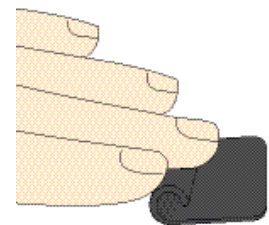
1



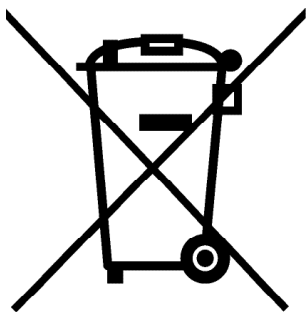
2



3



CORRECT DISPOSAL OF PRODUCT



This marking indicates that this product should not be disposed with other household wastes throughout the EU. To prevent harm to the environment or human health from uncontrolled waste disposal, recycle it responsibly to promote the sustainable reuse of material resources. To dispose of used devices contact MTI Global Services Contact Center at 503-648-6500 or contact local recycling company for proper recycling instructions for electronic devices.

FCC ID: 2AA2X-1500011824

Model: Plunger Lock

FCC STATEMENT

This device complies with Part 15 of the FCC Rules.

Caution: If any changes or modifications not expressly approved by the party responsible for compliance could void the user's authority to operate the equipment.

Operation is subject to the following two conditions: (1) This device may not cause harmful interference, and (2) This device must accept any interference received, including interference that may cause undesired operation.

The grantee is not responsible for any changes or modifications not expressly approved by the party responsible for compliance. Such modifications could void the user's authority to operate the equipment.

The RF Exposure Compliance distance is 20 millimeters.

NOTE: This equipment has been tested and found to comply with the limits for a Class B digital device, pursuant to part 15 of the FCC Rules. These limits are designed to provide reasonable protection against harmful interference in a residential installation. This equipment generates, uses and can radiate radio frequency energy and, if not installed and used in accordance with the instructions, may cause harmful interference to radio communications. However, there is no guarantee that interference will not occur in a particular installation. If this equipment does cause harmful interference to radio or television reception, which can be determined by turning the equipment off and on, the user is encouraged to try to correct the interference by one or more of the following measures:

- Reorient or relocate the receiving antenna.
- Increase the separation between the equipment and receiver.
- Connect the equipment into an outlet on a circuit different from that to which the receiver is connected.
- Consult the dealer or an experienced radio/TV technician for help.

ISED Certification Number: 24439-1500011824

Model: Plunger Lock

ISED Statement

This device complies with Innovation, Science and Economic Development Canada licence-exempt RSS standard(s).

Operation is subject to the following two conditions: (1) this device may not cause interference, and (2) this device must accept any interference, including interference that may cause undesired operation of the device.

CAN ICES-3(B)/NMB-3(B)

Le présent appareil est conforme aux CNR Innovation, Sciences et Développement économique Canada applicables aux appareils radio exempts de licence. L'exploitation est autorisée aux deux conditions suivantes:

(1) il ne doit pas produire de brouillage et (2) l'utilisateur du dispositif doit être prêt à accepter tout brouillage radioélectrique reçu, même si ce brouillage est susceptible de compromettre le fonctionnement du dispositif.

CAN ICES-3(B)/NMB-3(B)

The device meets the exemption from the routine evaluation limits in section 2.5 of RSS 102 and compliance with RSS-102 RF exposure, users can obtain Canadian information on RF exposure and compliance.

Le dispositif rencontre l'exemption des limites courantes d'évaluation dans la section 2.5 de RSS 102 et la conformité à l'exposition de RSS-102 rf, utilisateurs peut obtenir l'information canadienne sur l'exposition et la conformité de rf.

This transmitter must not be co-located or operating in conjunction with any other antenna or transmitter. This equipment should be installed and operated with a minimum distance of 20 millimeters between the radiator and your body.

Cet émetteur ne doit pas être Co-placé ou ne fonctionnant en même temps qu'aucune autre antenne ou émetteur. Cet équipement devrait être installé et actionné avec une distance minimum de 20 millimètres entre le radiateur et votre corps.

Technical Data

Operating frequency 125KHz , 2.4GHz : 2405- 2480MHz

Operating temperature: 0° C to 40° C

Max power : 125KHz <42dBuA/m at 10m, 2.4GHz < 20 dBm

WARNING: This product contains chemicals known to the State of California to cause cancer and birth defects or other reproductive harm.