



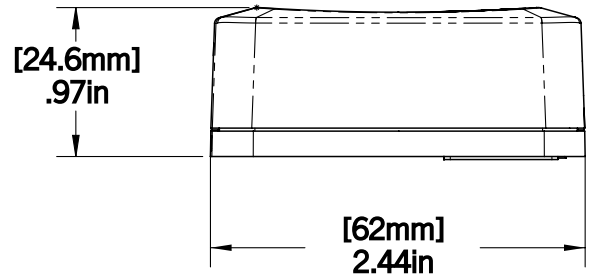
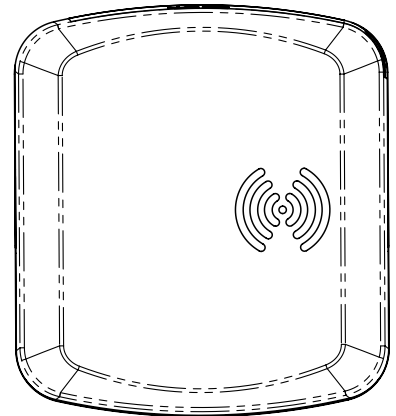
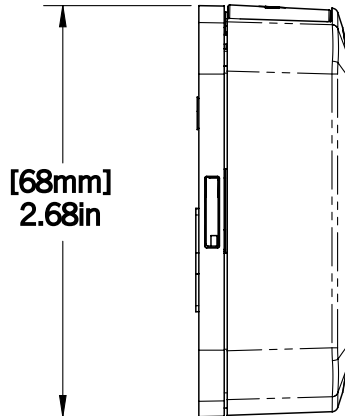
Installation Guidelines for MTI RFID SmartLocks

Contents

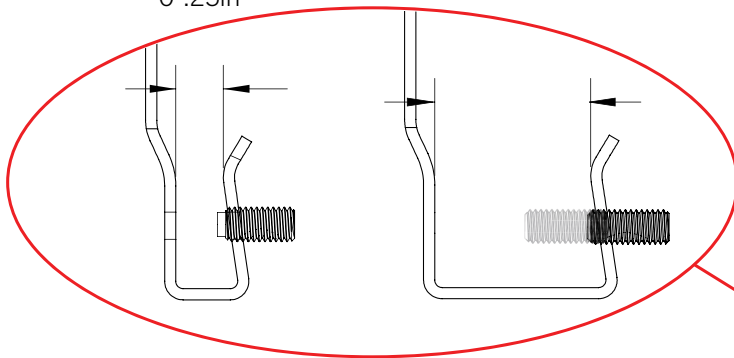
1.	Ratcheting Glass Lock	2
2.	Universal Door/Drawer Lock	4
3.	Sliding Door Lock	6
4.	Cam Lock	8
5.	Plunger Lock	11

RATCHETING GLASS DOOR LOCK

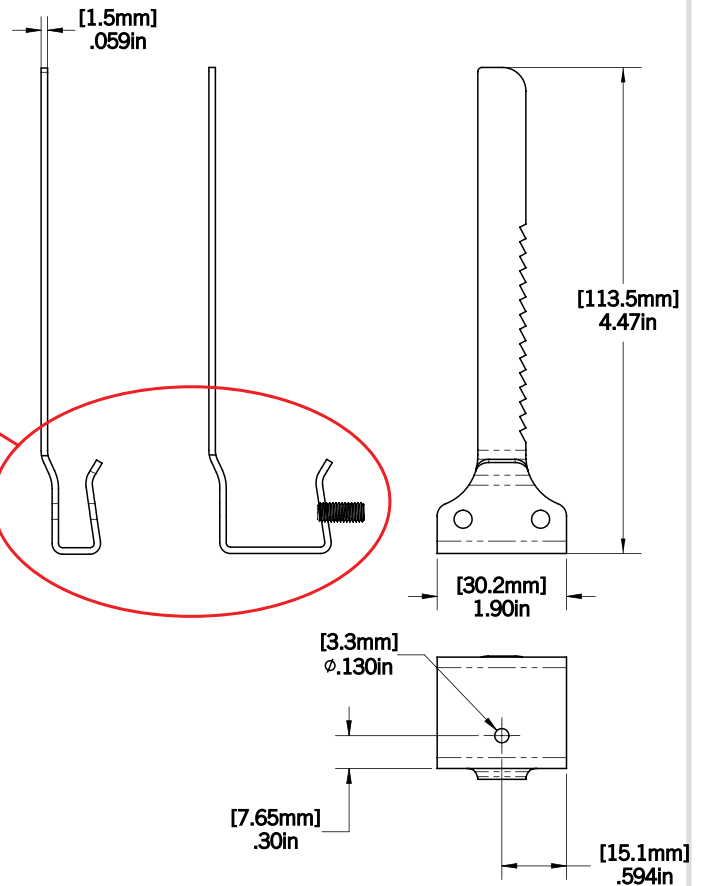
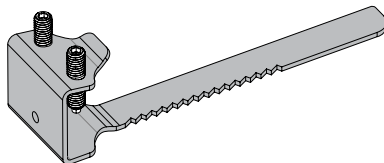
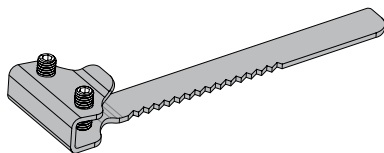
185-01186	RS1 Ratcheting Door Lock (0-.25in door)
185-01187	RS2 Ratcheting Door Lock (.31-.78in door)



RS1 Thin Latch Door Thickness
[0-6mm]
0-.25in



RS2 Thick Latch Door Thickness
[8-20mm]
.3125-.78in

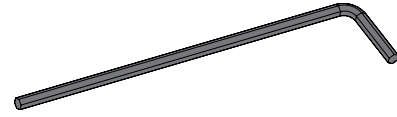


Required Tools

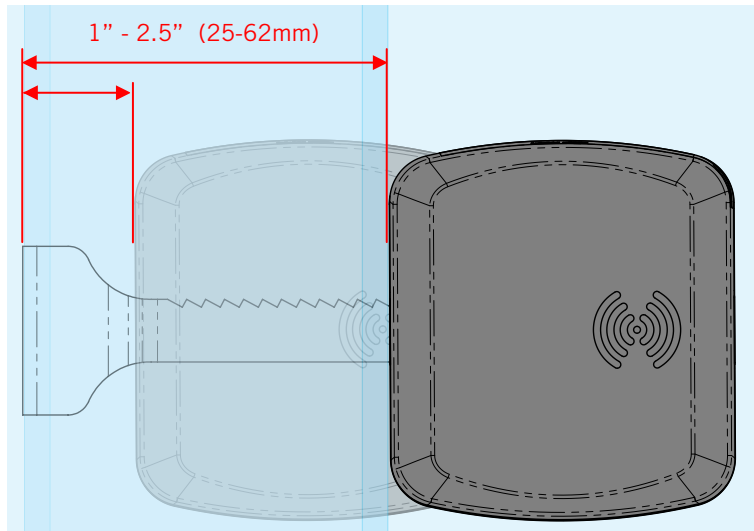
MTI Retail Tool - For Battery Door - 003-00087



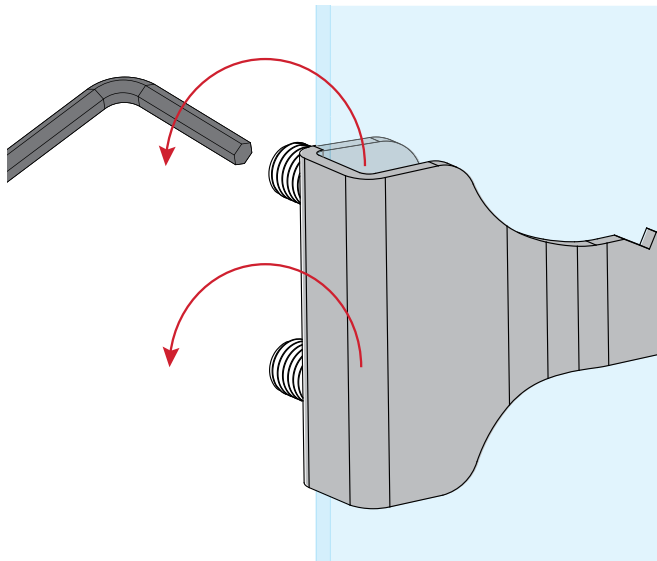
2.5mm Allen Wrench - For Set Screw 003-0091-00



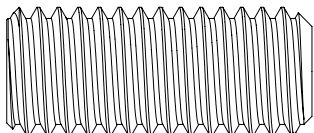
Door Overlap - Min/Max



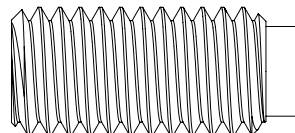
Mount latch to door with set screws - Standard



M5 x 11 Set Screws - Both Included

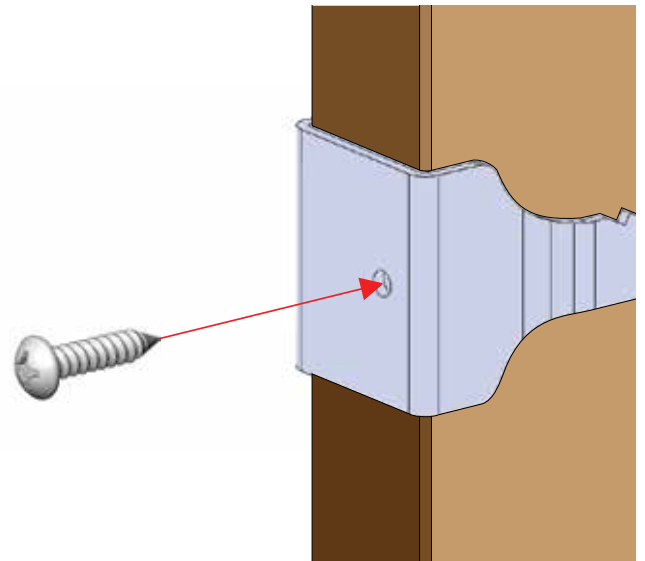


Standard Tip



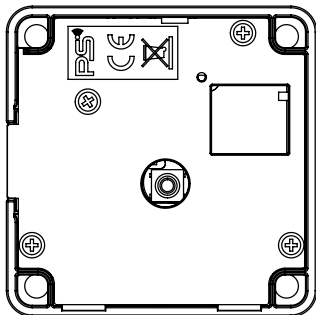
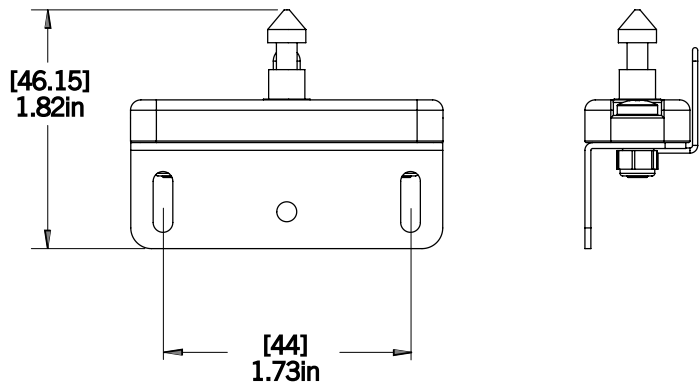
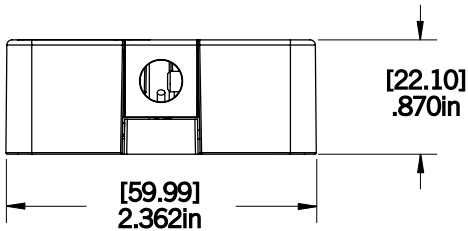
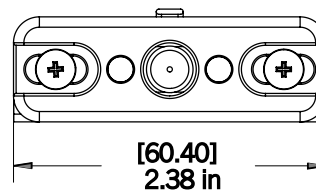
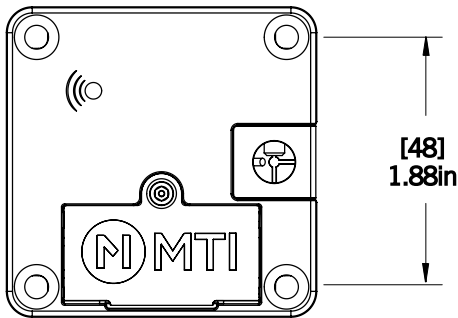
Nylon Tip - For Glass Doors


Mount latch to wooden door with #8 screw Optional. Screw not included

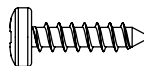


185-01212

UL1 Universal Door/Drawer Lock



 #7-16 x 1.3in Wood Screw - 4 pieces

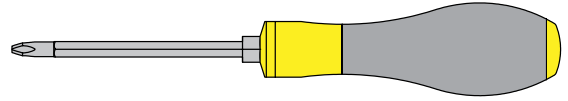
 #7-16 x .60in Wood Screw - 2 pieces

Required Tools

MTI Retail Tool - For Battery Door - 003-00087

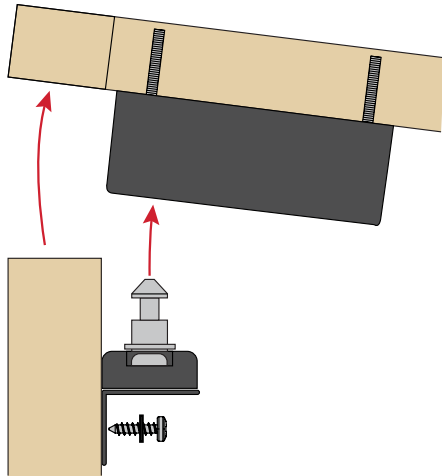


No. 2 Philips Screwdriver - Lock/Latch Mounting

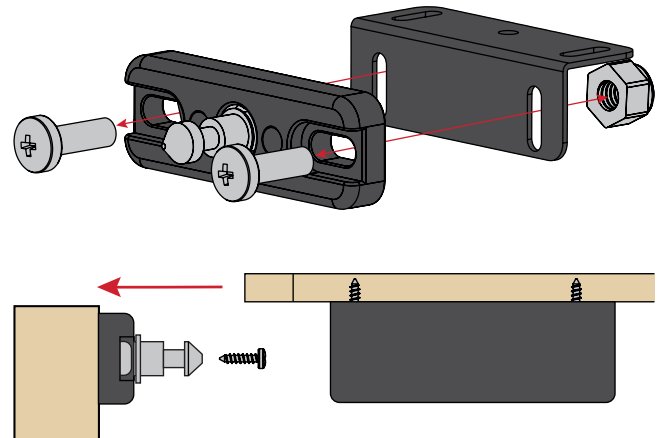


Mounting Options

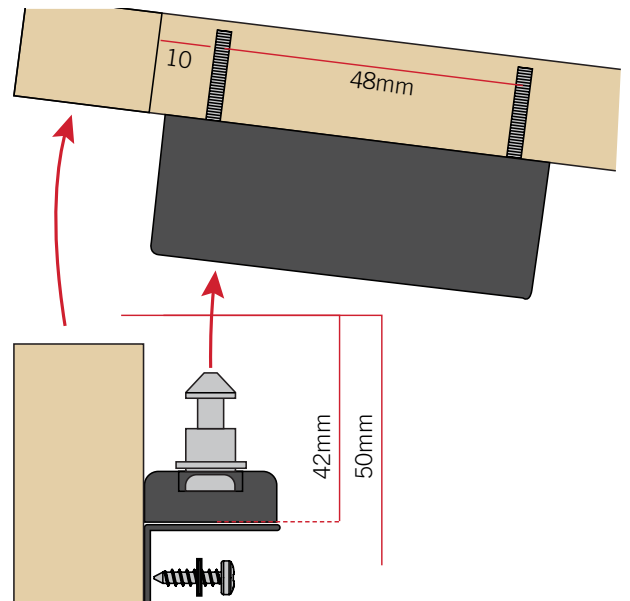
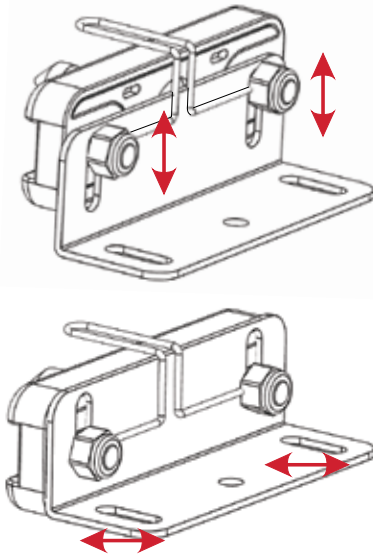
Swinging Door or Drawer



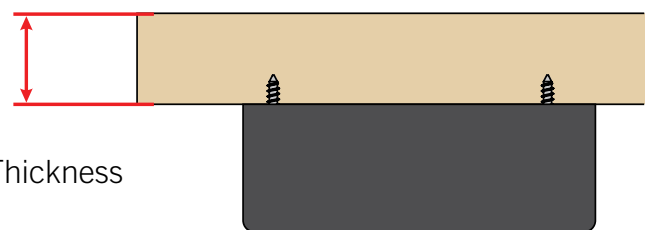
Sliding door - Remove "L" bracket



Latch can be adjusted for better alignment

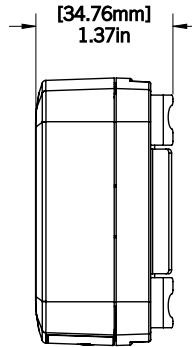
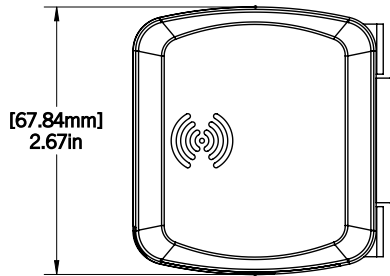
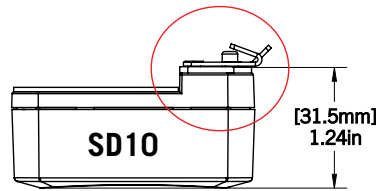
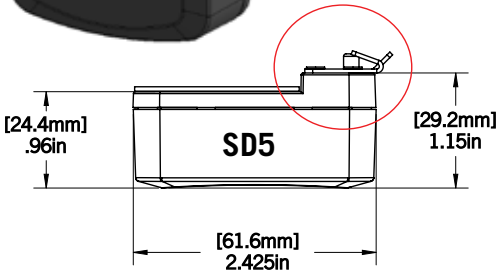


Door material must be wood, plastic, or glass.
RFID antenna cannot read through a metal door.

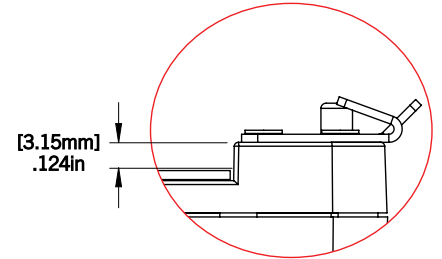


1in./25mm Max Thickness

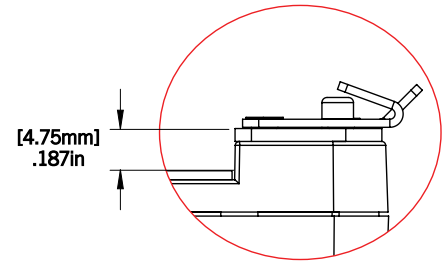
185-01182	SD5 Sliding Door Lock (0-.125in door)
185-01183	SD10 Sliding Door Lock (.187-.25in door)



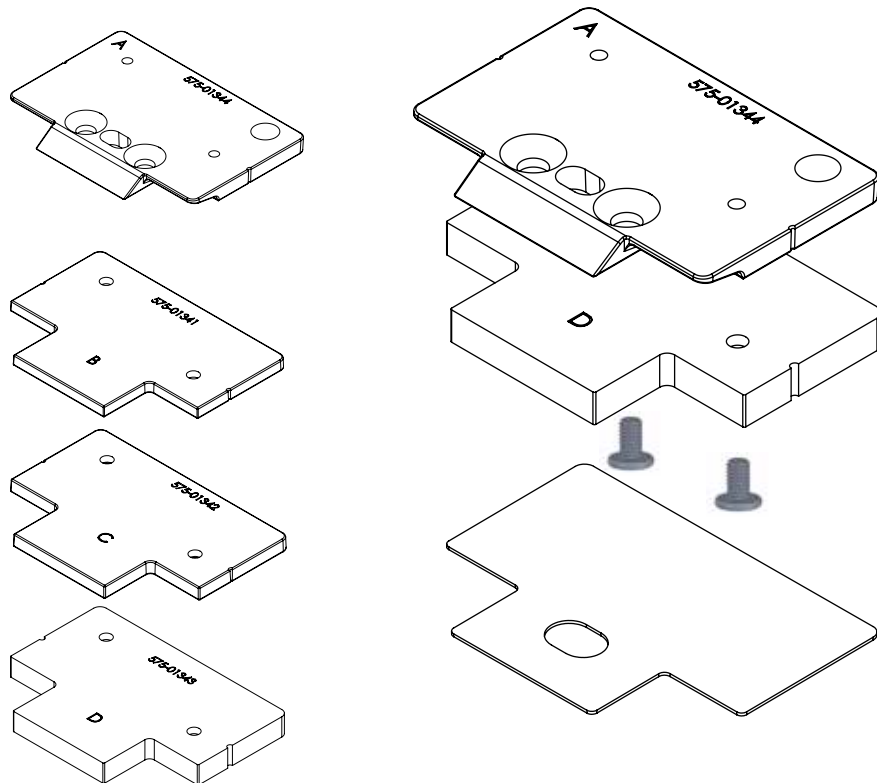
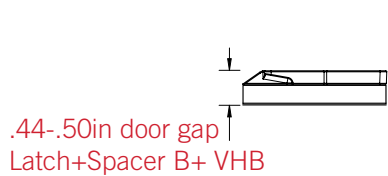
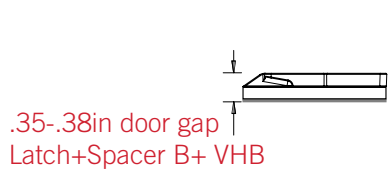
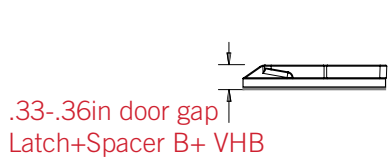
SD5 - For .125in door thickness



SD10 - For .25in door thickness



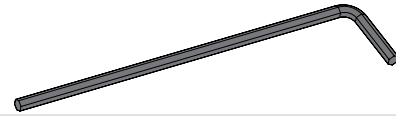
Latch/Spacer Door Gap Range



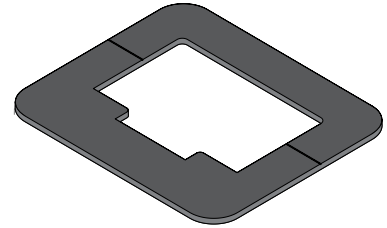
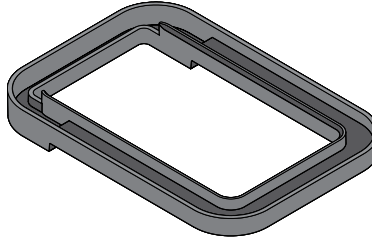
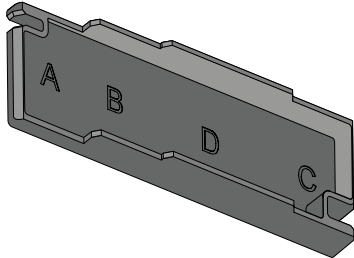
Required Tools

MTI Retail Tool - For Battery Door - 003-00087

2.5mm Allen Wrench - For Set Screw 003-0091-00

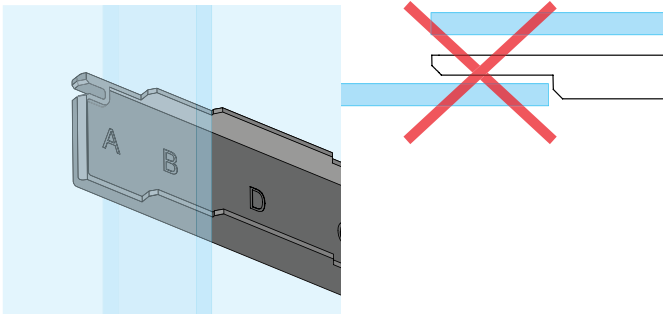
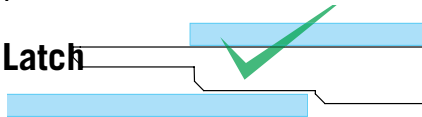


Optional Install Aids

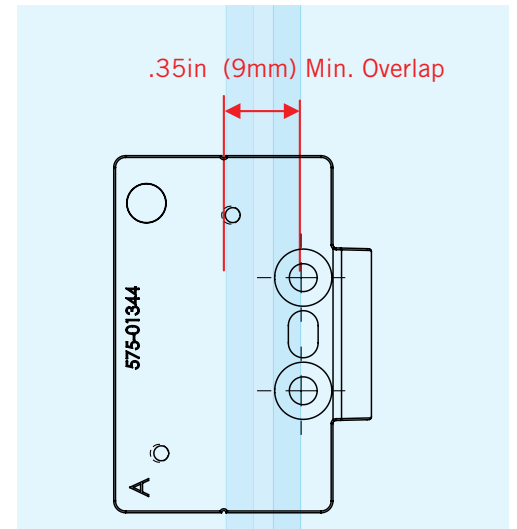


Door Gap - Insert gap gauge between doors. Latch/Spacer combination should be for tightest fit between doors.

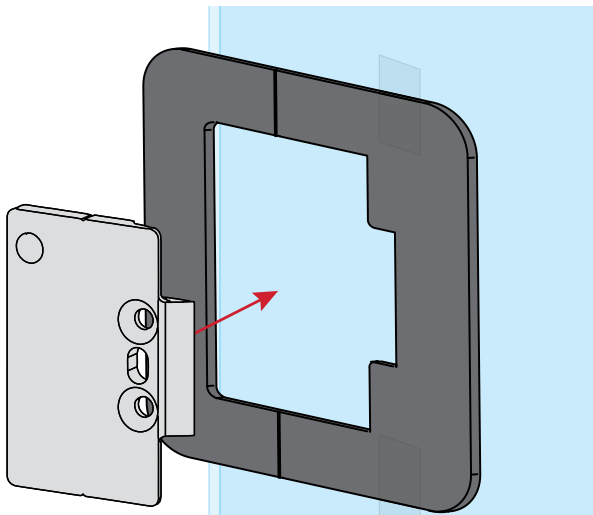
B Latch



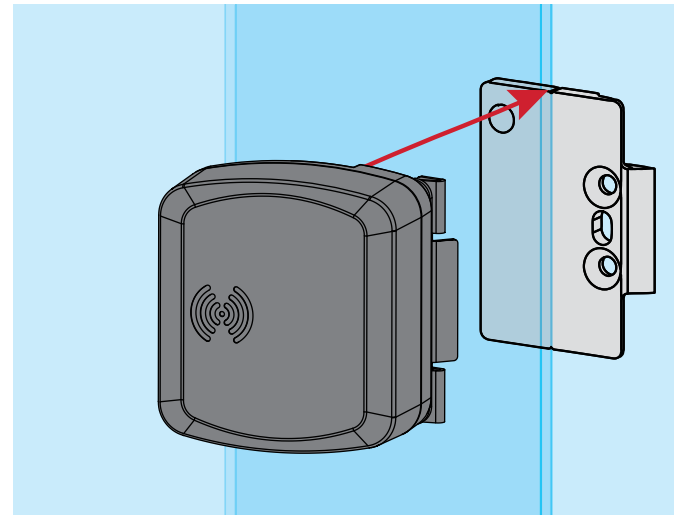
Door Overlap - Min/Max

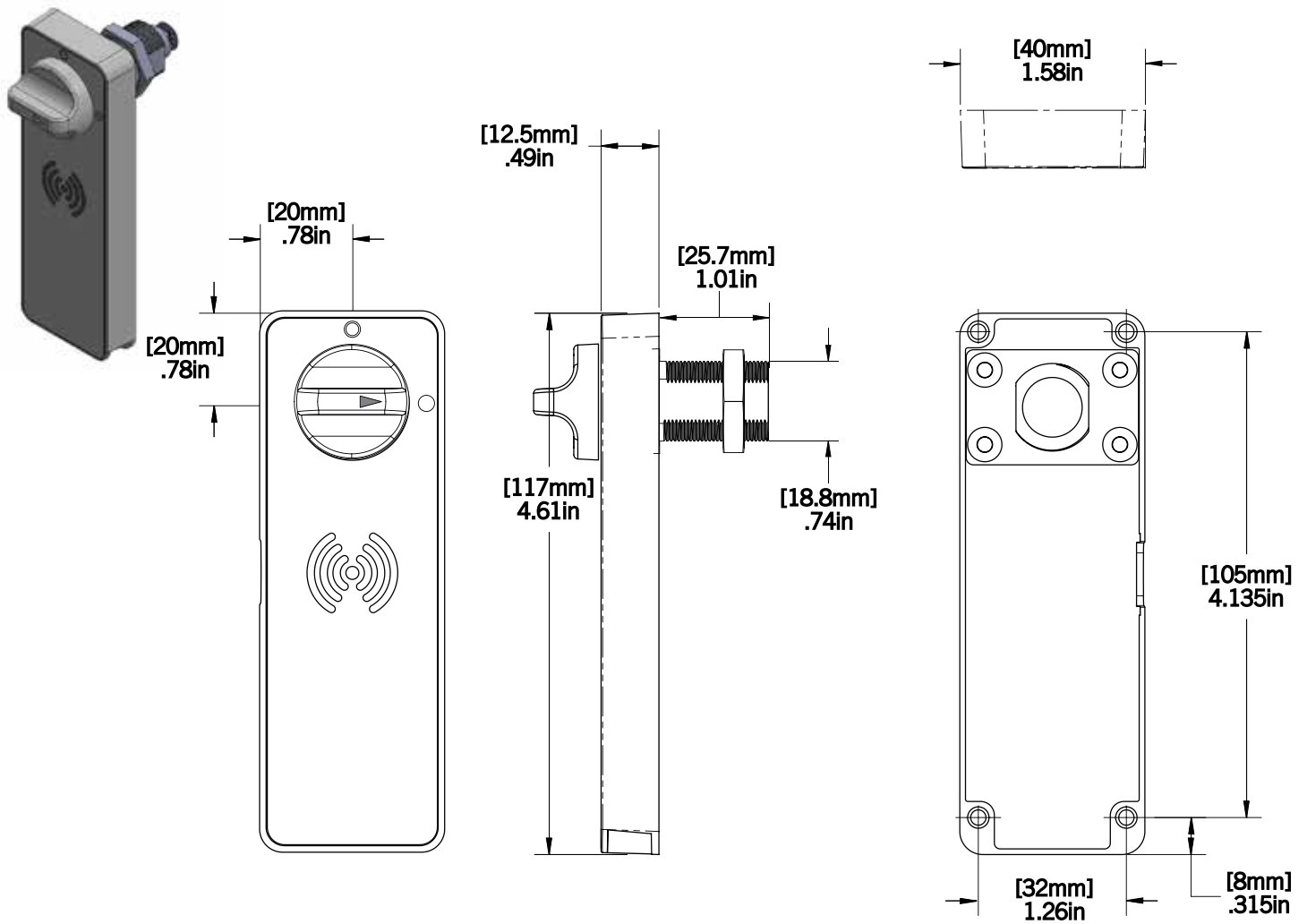


Latch - Attach to door with VHB.
Optional - Attach with screws, (not included)

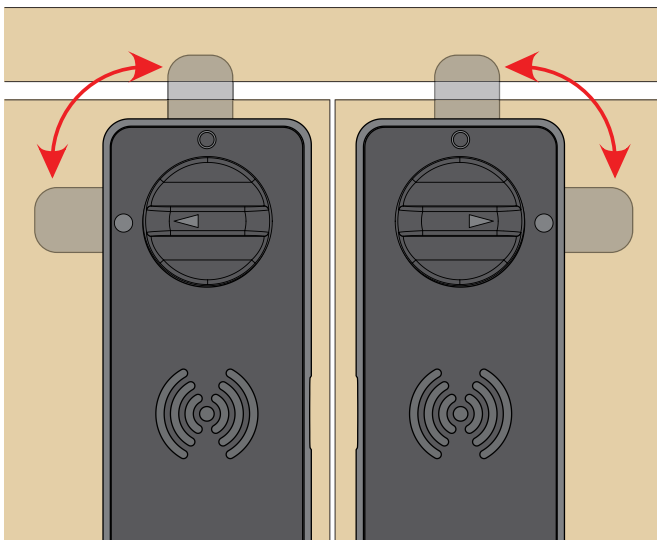


Lock Body - Attach to door with VHB

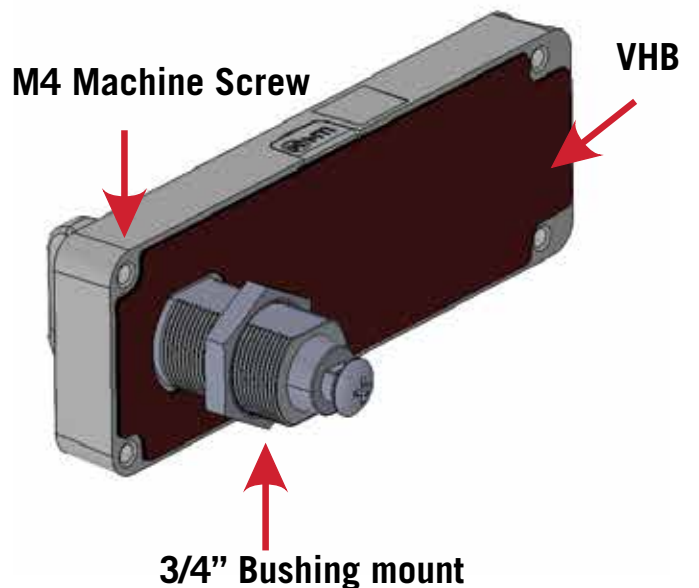




Clockwise and Counter-Clockwise versions for left or right hinged doors



Lock can mount with VHB or machine screw, or with bushing mount.



Required Tools

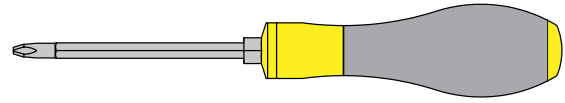
MTI Retail Tool - For Battery Door - 003-00087



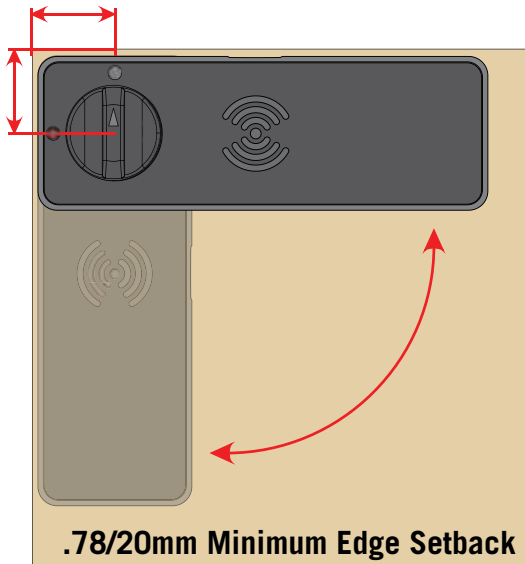
22mm or 7/8in Wrench - For mounting nut



No. 2 Philips Screwdriver - Cam Mounting

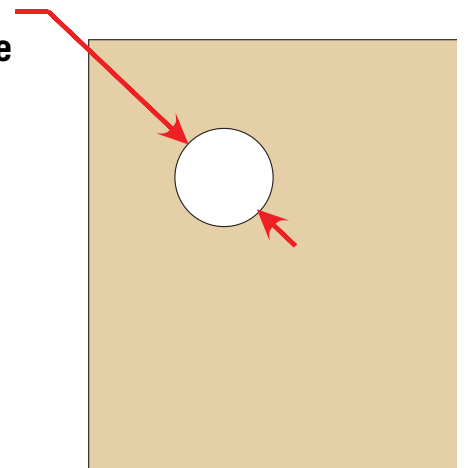


Lock may be mounted vertically or horizontally.
Minimum setback from edge required



Through Hole Required - Ensure hole is drilled square to the surface.

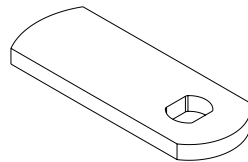
.75in/19mm Through Hole



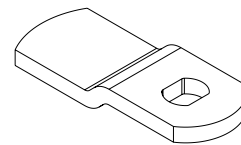
CAM Style - Adapter Kits available

Adapter kits designed to use readily available Cams from a variety of suppliers. Cams not included. Examples shown.

Straight CAM



Offset CAM

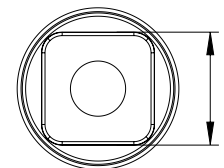
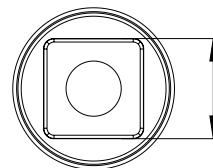
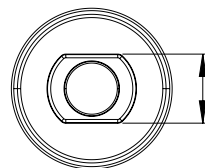
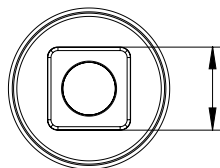
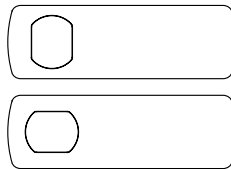


6.5mm drive
165-01215

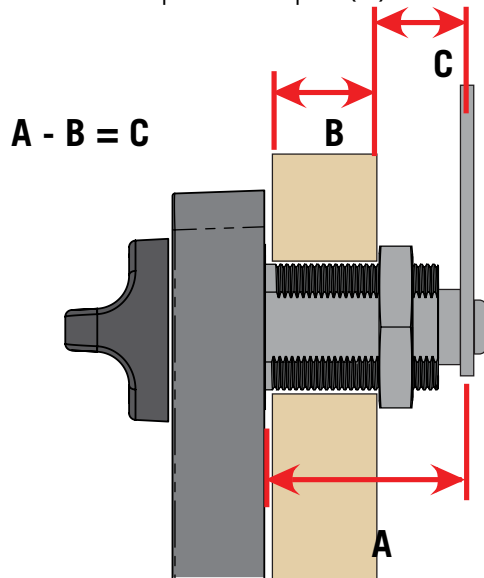
5.5mm D-drive
165-01216

8mm drive
165-01222

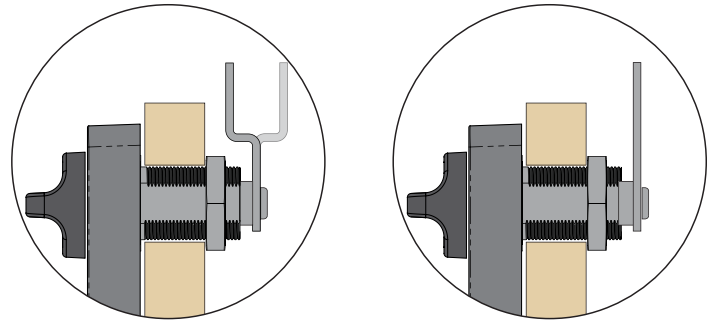
9mm drive
165-01223

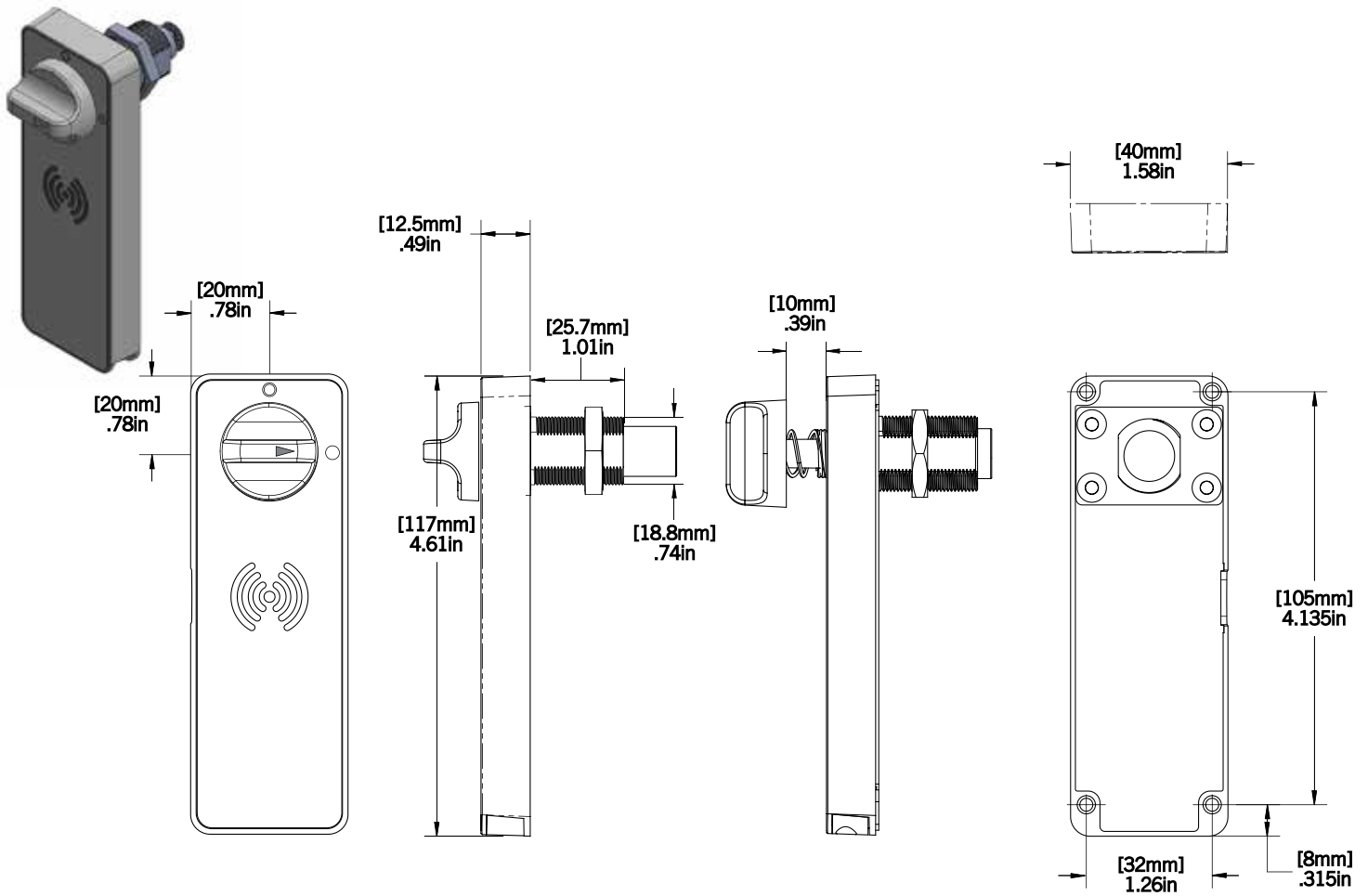


Pocket location for Cam is determined by max distance vs door thickness. Door thickness may determine pocket depth (C)



Use straight, or offset cams depending on application.

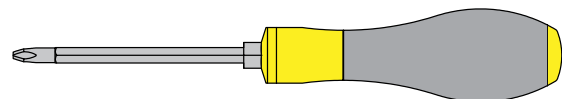




Required Tools

MTI Retail Tool - For Battery Door - 003-00087

No. 2 Philips Screwdriver - For Plunger Extensions



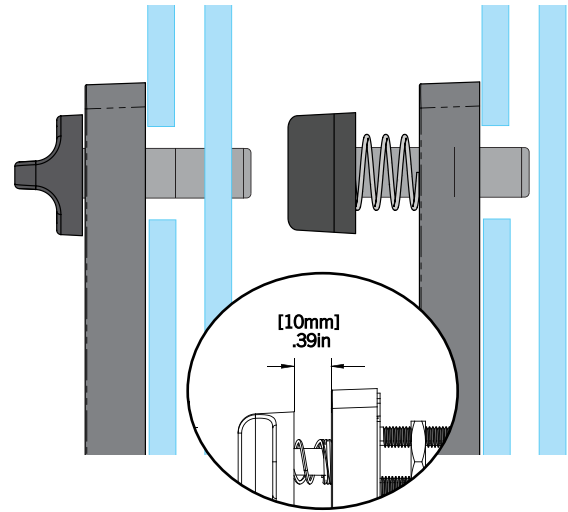
22mm or 7/8in Wrench - For mounting nut



Twist Lock to unlock

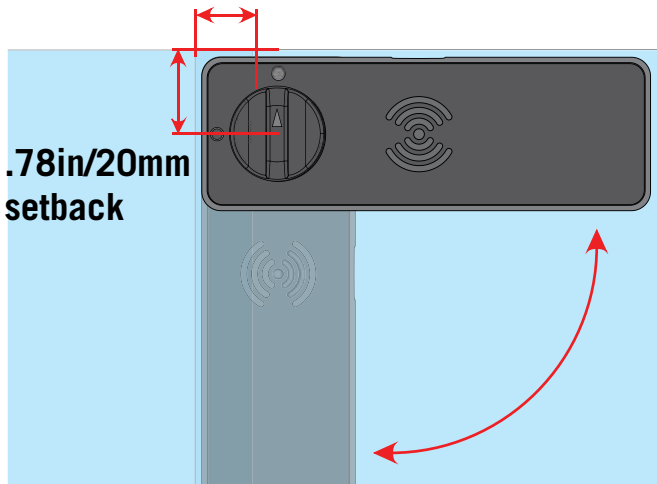


Plunger will pop out, but remain captured by lock



Lock may be mounted vertically or horizontally. Minimum setback and door overlap required

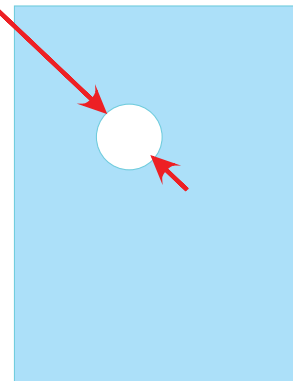
.63in/16mm minimum door overlap



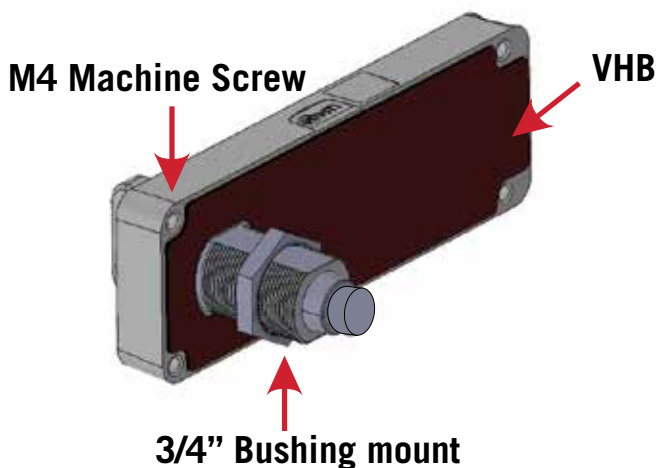
.78in/20mm setback

Through Hole Required

.315in/8mm minimum



Lock can mount with VHB or machine screw, or with bushing mount.

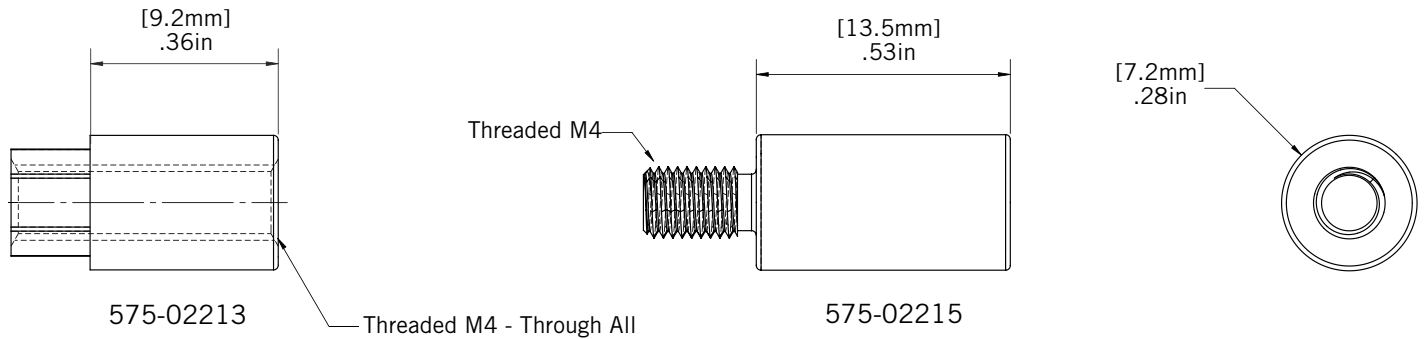


M4 Machine Screw

VHB

3/4" Bushing mount

Plunger adapters as standard. Custom adapter extensions can attach easily with M4 screw.



Lock can mount with a combination of plunger extension and mounting options. It can attach with VHB with a simple flush mount for most glass/metal/plexi doors. For thicker wooden doors, a threaded bushing that allows eash retrofit is also available.

