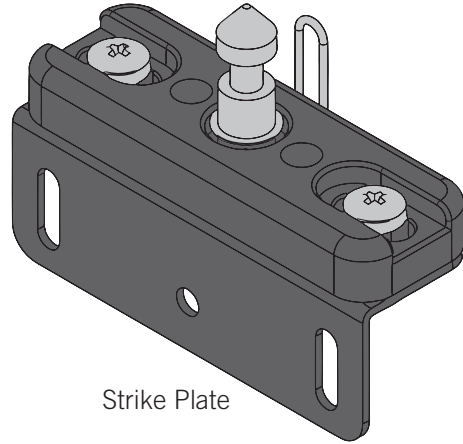
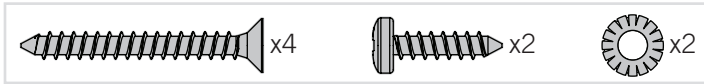


Door Drawer Lock Body



Strike Plate

Screw Kit

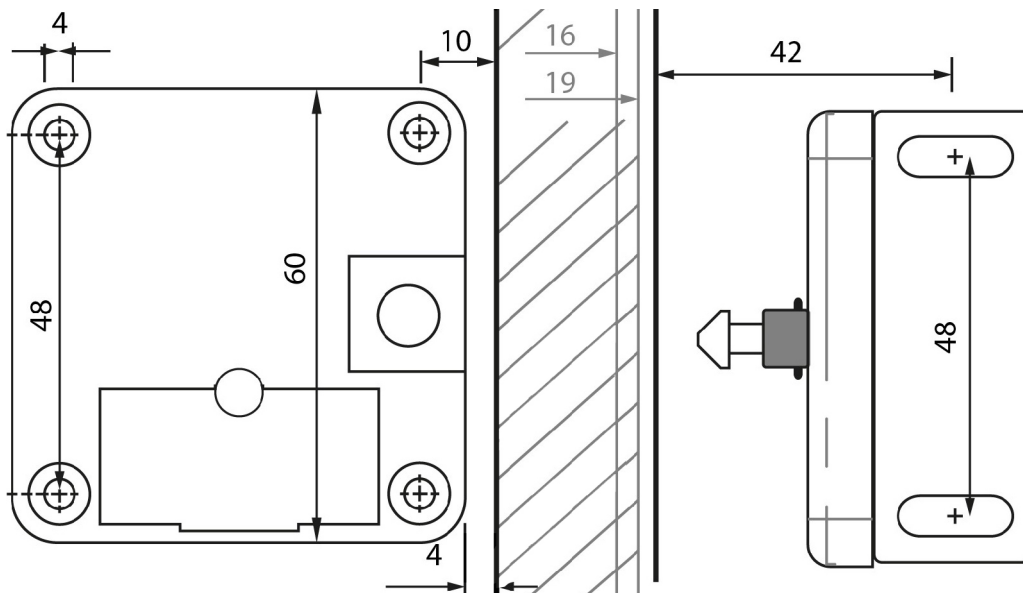


Battery

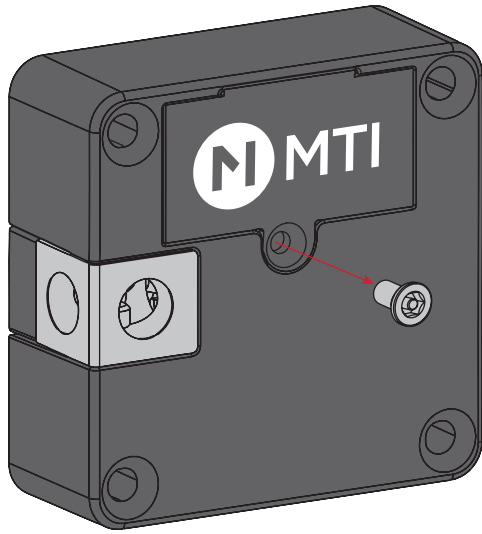


Keys not included. See Page 6.

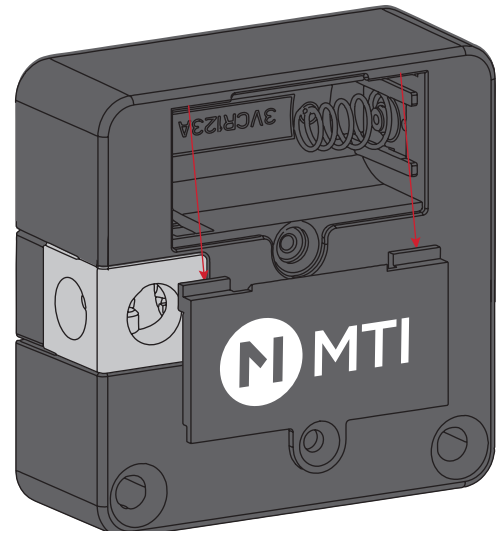
MOUNTING TEMPLATE Print or Photocopy at 100% to assist in placing the Door/Drawer Lock.



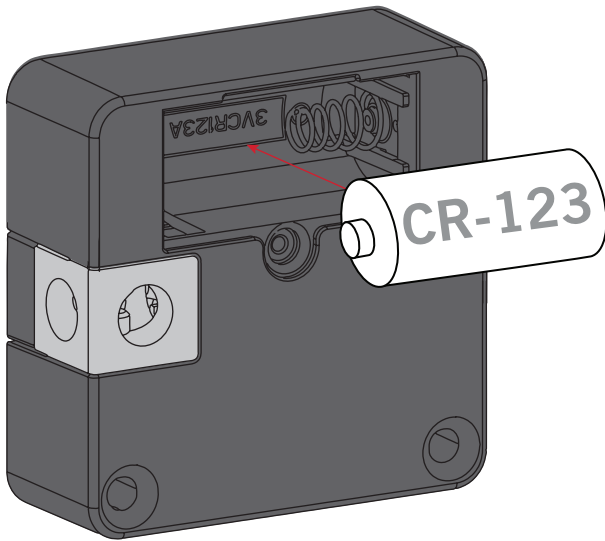
1



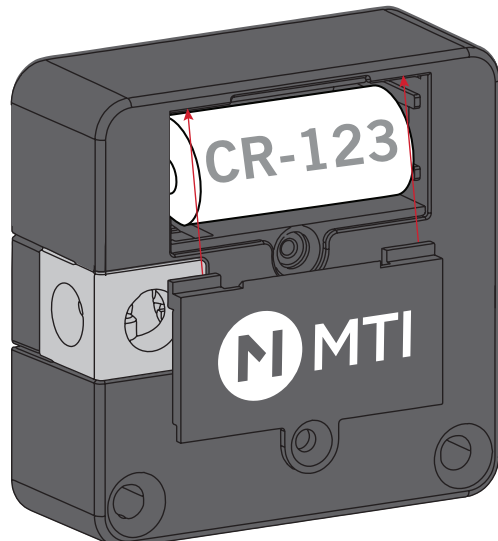
2



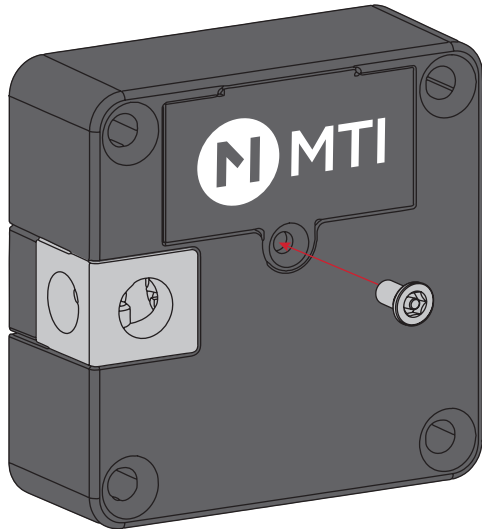
3



4



5

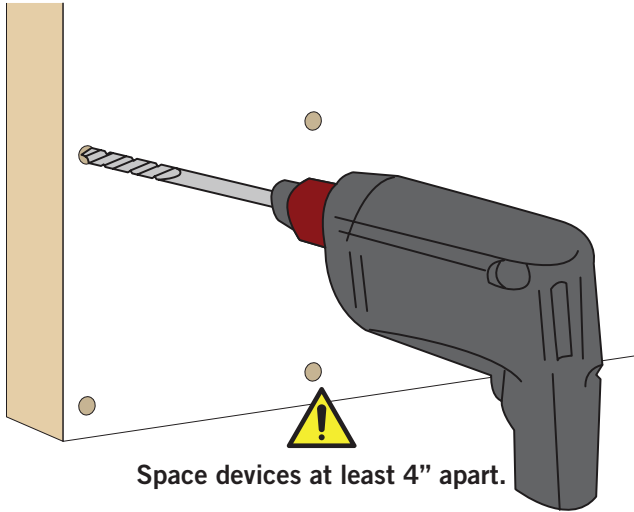


Battery Caution

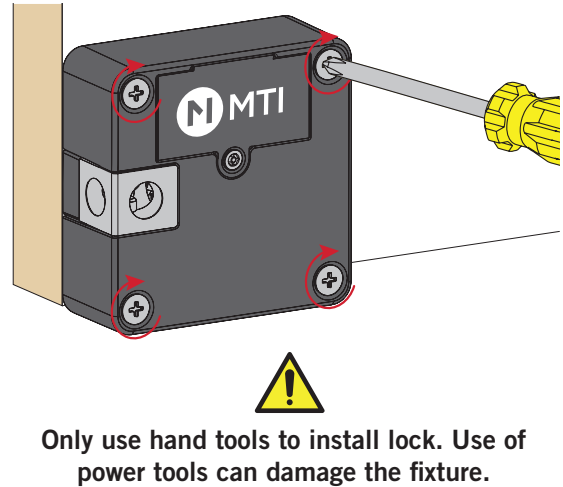
Risk of explosion if battery is replaced by an incorrect type. Dispose of used batteries according to the instructions.

Remove batteries of uninstalled locks before storing.

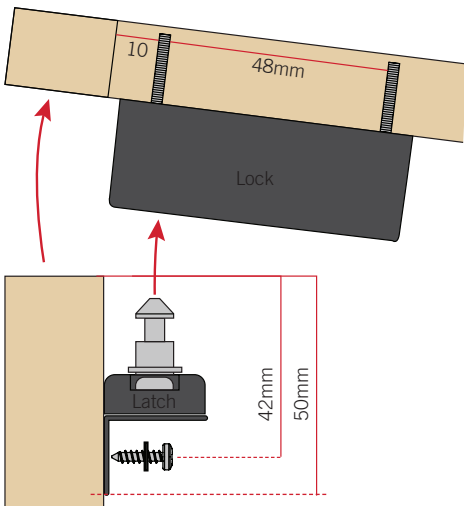
1 Drill pilot holes for the lock mounting screws. See page 1 for a mounting template to assist in placement.



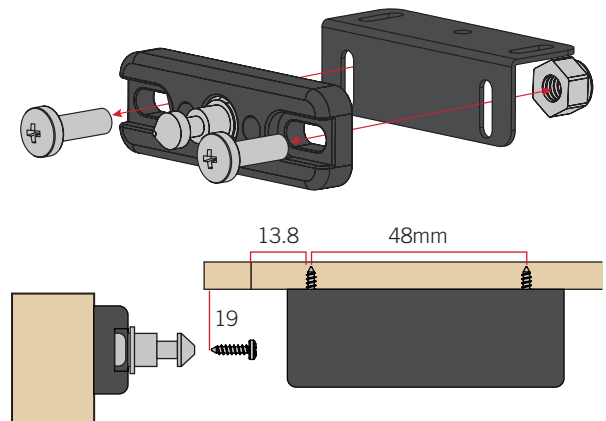
2 Line up the holes on the lock with the pilot holes in the fixture and secure into place with a Phillips-head screwdriver.



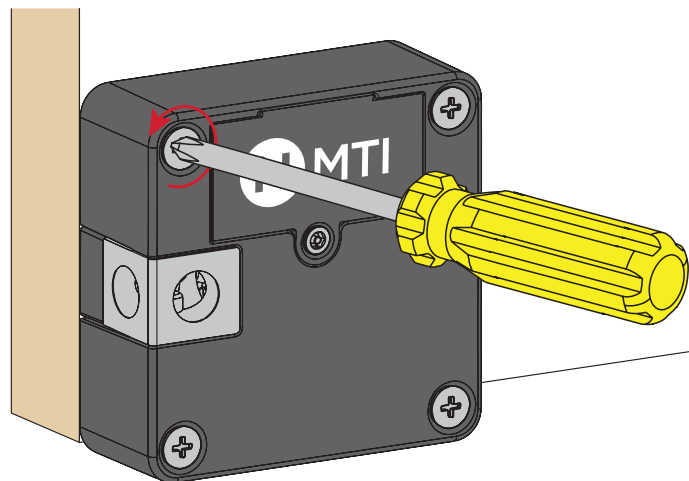
3a See diagram below for placement on a swinging cabinet door:



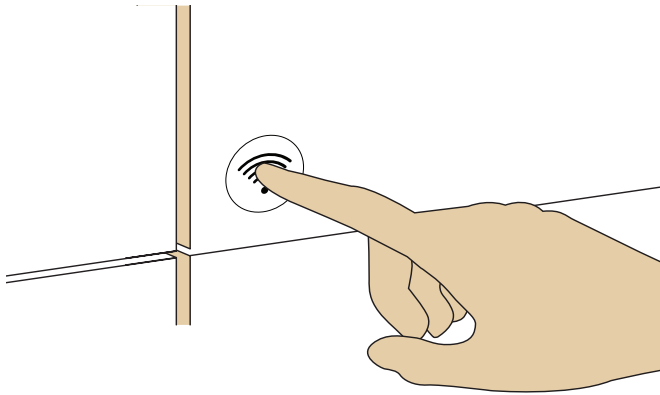
3b For sliding doors, the 90° bracket can be removed from the latch (using the #2 Phillips Screwdriver and the 9/32" socket) and hard mounted to a fixture with wood screws. See diagram below for placement on a sliding cabinet door:



Note: If the lock emits a slow, low beep tone, then the motor is stuck due to overtightening the mounting screws. Slowly unscrew the screw to the left of the battery door (when the MTI logo is right-side-up) one-quarter turn at a time until the motor can spin, opening the lock.



- 4** Place Sticker on door front where the lock is situated so there is a marked spot to tap your user card.



After programming the locks, place the User Card within 30 mm of where the lock is placed. Or, open mobile application on phone and tap phone to the lock. Once the phone detects the lock, the mobile app will present UNLOCK button. Touch button to unlock. Lock will emit a single beep immediately followed by a double beep. Once you hear a click, open the door or drawer. Close door or drawer to relock.

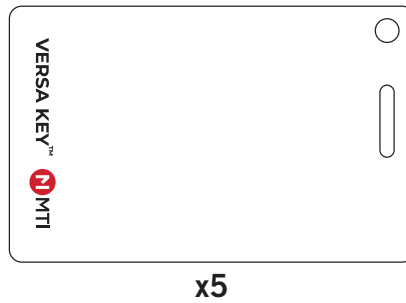


KEY SETS (SOLD SEPARATELY)

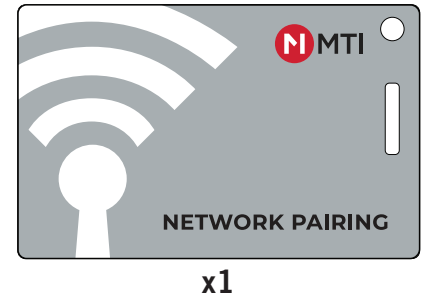
Key Starter Set –
185-00459



User Key Bulk (x5) Pack -
185-00460

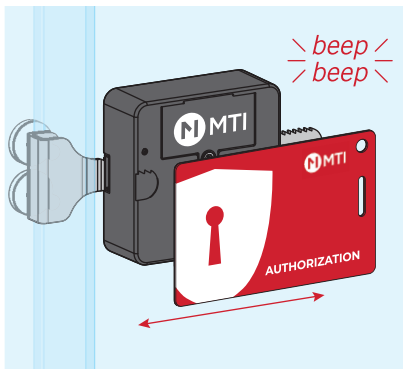


Connect Card -
401-00008

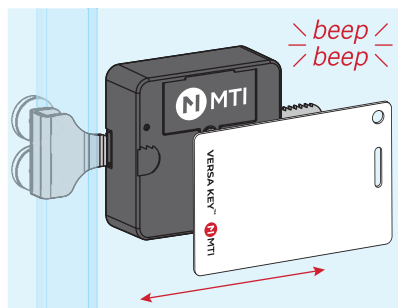


KEY REGISTRATION

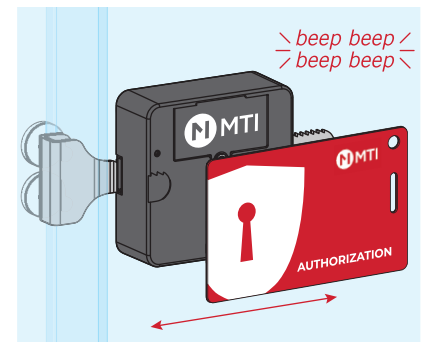
- 1** Swipe Authorization card to enter enrollment mode. You will hear a double beep tone, indicating enrollment mode has been entered.



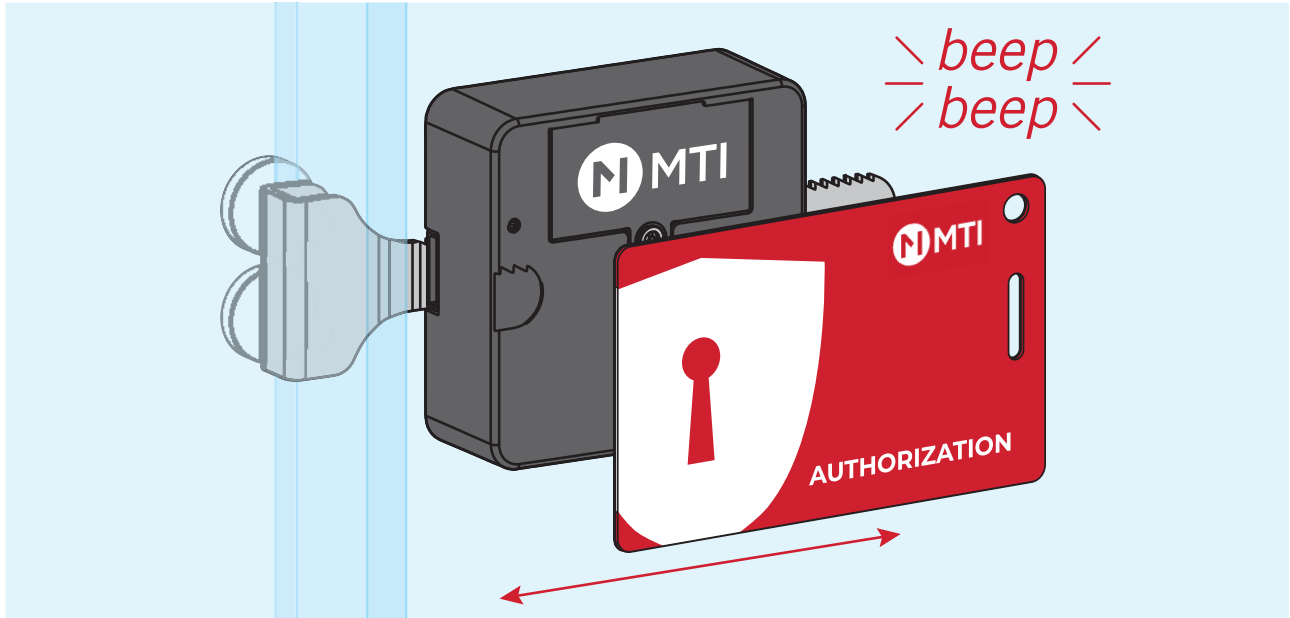
- 2** Swipe each User card to lock. A double beep tone indicates a card is now enrolled. Repeat for each user card, up to 250 user cards. If a card fails to be recognized, the lock will emit 4 fast beeps.



- 3** Swipe Authorization card again to close enrollment mode. Enrollment mode times out after 3 minutes of no activity. Lock will emit 4 fast beeps when enrollment has timed out.



- 1 Hold Authorization card to lock for 10 seconds. You will hear an initial double beep upon initial hold, and then a confirmation double beep confirming successful deletion. Lock will automatically enter key enrollment mode and at least one user key is must be added or the lock will delete the Auth card and return to default mode



FCC ID: 2AA2X-1500011824V2

Model: Bluetooth Drawer Door Lock

FCC STATEMENT

This device complies with Part 15 of the FCC Rules.

Caution: If any changes or modifications not expressly approved by the party responsible for compliance could void the user's authority to operate the equipment.

Operation is subject to the following two conditions: (1) This device may not cause harmful interference, and (2) This device must accept any interference received, including interference that may cause undesired operation.

The grantee is not responsible for any changes or modifications not expressly approved by the party responsible for compliance. Such modifications could void the user's authority to operate the equipment.

The RF Exposure Compliance distance is 20 millimeters.

NOTE: This equipment has been tested and found to comply with the limits for a Class B digital device, pursuant to part 15 of the FCC Rules. These limits are designed to provide reasonable protection against harmful interference in a residential installation. This equipment generates, uses and can radiate radio frequency energy and, if not installed and used in accordance with the instructions, may cause harmful interference to radio communications. However, there is no guarantee that interference will not occur in a particular installation. If this equipment does cause harmful interference to radio or television reception, which can be determined by turning the equipment off and on, the user is encouraged to try to correct the interference by one or more of the following measures:

- Reorient or relocate the receiving antenna.
- Increase the separation between the equipment and receiver.
- Connect the equipment into an outlet on a circuit different from that to which the receiver is connected.
- Consult the dealer or an experienced radio/TV technician for help.

ISED Certification Number: 24439-1500011824V2

Model: Bluetooth Drawer Door Lock

ISED Statement

This device complies with Innovation, Science and Economic Development Canada licence-exempt RSS standard(s). Operation is subject to the following two conditions: (1) this device may not cause interference, and (2) this device must accept any interference, including interference that may cause undesired operation of the device.

CAN ICES-3(B)/NMB-3(B)

Le présent appareil est conforme aux CNR Innovation, Sciences et Développement économique Canada applicables aux appareils radio exempts de licence. L'exploitation est autorisée aux deux conditions suivantes:

(1) il ne doit pas produire de brouillage et (2) l'utilisateur du dispositif doit être prêt à accepter tout brouillage radioélectrique reçu, même si ce brouillage est susceptible de compromettre le fonctionnement du dispositif.

CAN ICES-3(B)/NMB-3(B)

The device meets the exemption from the routine evaluation limits in section 2.5 of RSS 102 and compliance with RSS-102 RF exposure, users can obtain Canadian information on RF exposure and compliance.

Le dispositif rencontre l'exemption des limites courantes d'évaluation dans la section 2.5 de RSS 102 et la conformité à l'exposition de RSS-102 rf, utilisateurs peut obtenir l'information canadienne sur l'exposition et la conformité de rf.

This transmitter must not be co-located or operating in conjunction with any other antenna or transmitter. This equipment should be installed and operated with a minimum distance of 20 millimeters between the radiator and your body.

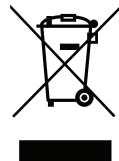
Cet émetteur ne doit pas être Co-placé ou ne fonctionnant en même temps qu'aucune autre antenne ou émetteur. Cet équipement devrait être installé et actionné avec une distance minimum de 20 millimètres entre le radiateur et votre corps.

Technical Data

Operating frequency 125KHz , 2.4GHz : 2405- 2480MHz

Operating temperature: 0° C to 40° C - 41°-95° F

Max power : 125KHz <42dBuA/m at 10m, 2.4GHz < 20 dBm



Correct Disposal of Product

This marking indicates that this product should not be disposed with other household wastes throughout the EU. To prevent harm to the environment or human health from uncontrolled waste disposal, recycle it responsibly to promote the sustainable reuse of material resources. To dispose of used devices contact MTI Global Services Contact Center at 503-648-6500 or contact local recycling company for proper recycling instructions for electronic devices.