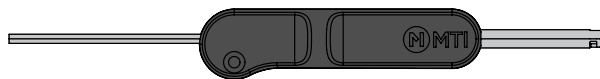


Bushing Mount (Included)

Not included

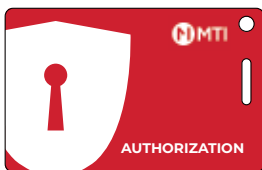
003-00036 - For battery door



22mm Wrench - For Bushing Mounts



Key Starter Set – 185-00459



x1



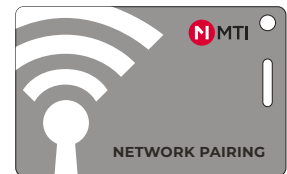
x2

User Key Bulk (x5) Pack - 185-00460



x5

Connect Card - 401-00008



x1

BATTERY



Battery Caution

Do not ingest the battery, Chemical Burn Hazard.
Keep new and used batteries away from children.

The product contains a lithium coin/button cell battery. If the coin/button cell battery is swallowed, it can cause severe internal burns in just 2 hours and can lead to death.

If you think batteries might have been swallowed or placed inside any part of the body, seek immediate medical attention.

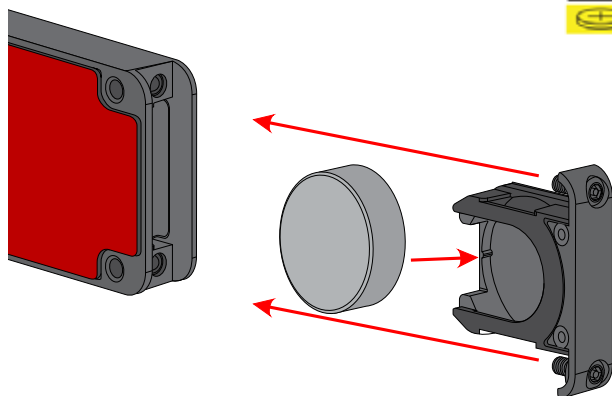
If the battery compartment does not close securely, stop using the product and keep it away from children.

CAUTION:

Risk of fire or explosion if the battery is replaced by an incorrect type.

-battery type: CR 2477 (non-rechargeable)

-chemical system of the battery: Lithium

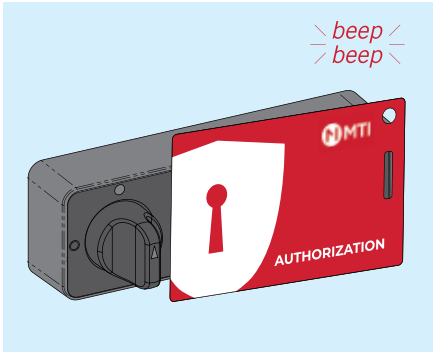


CR 2477 Coin Cell Battery

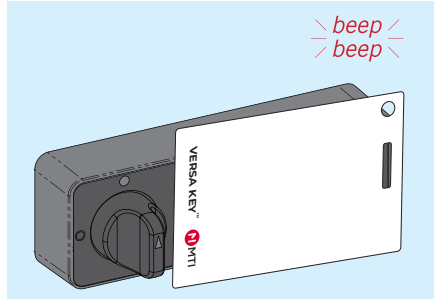
KEY REGISTRATION (Standard Mode) - Complete Before Installation



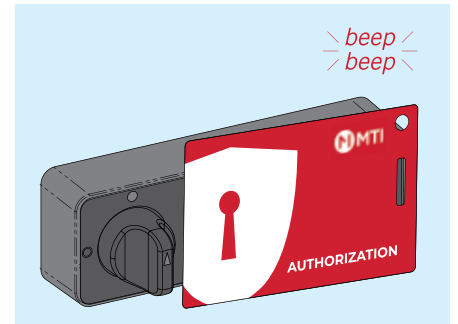
- 1 Swipe Authorization card to enter enrollment mode. You will hear a double beep tone, indicating enrollment mode has been entered.



- 2 Swipe each User card to lock. A double beep tone indicates a card is now enrolled. Repeat for each user card, up to 250 user cards. If a card fails to be recognized, the lock will emit 4 fast beeps.

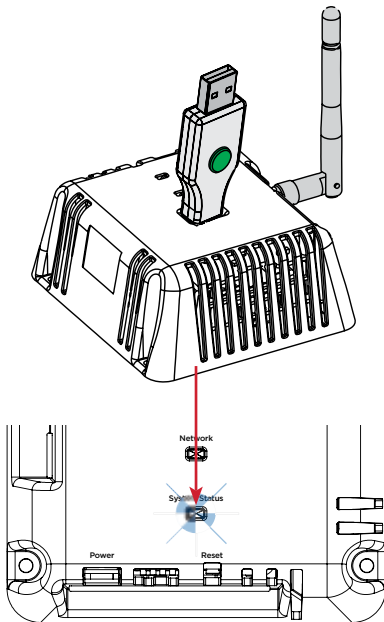


- 3 Swipe Authorization card again to close enrollment mode. Enrollment mode times out after 3 minutes of no activity. Lock will emit 4 fast beeps when enrollment has timed out.

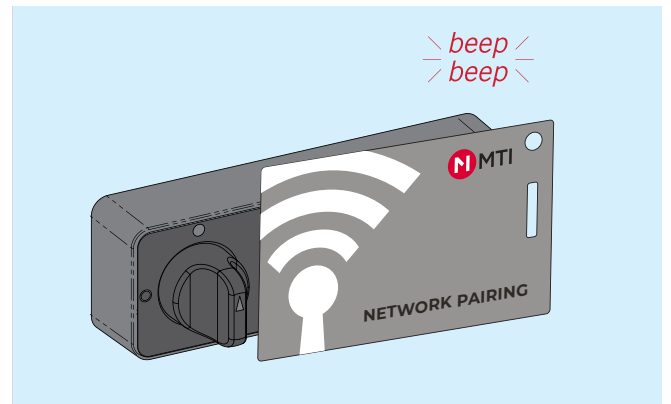


NETWORK MODE - Versa EX or Managed Access

- 1 Insert Intellikey into Connect[®] hub. After 10 seconds, the System Status LED will be flashing blue, indicating it is in pairing mode. It will automatically time out after 15 minutes.



- 2 Swipe Pairing card to lock. Lock will start slowly beeping confirming it is looking for Connect[®] network. Upon successfully pairing the lock will emit a double beep. Lock will automatically download key whitelist from network.

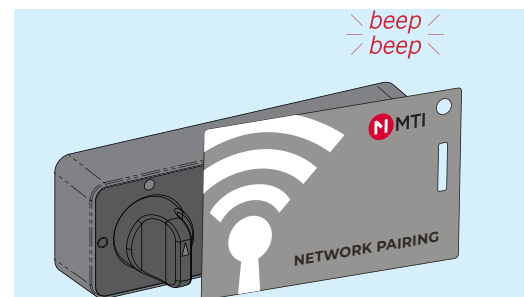


Full Connect Hub programming can be found in guide 063-00210

- 1 Place Pairing Card over the RFID icon to place Versa EX in pairing mode. LED will be flashing blue.

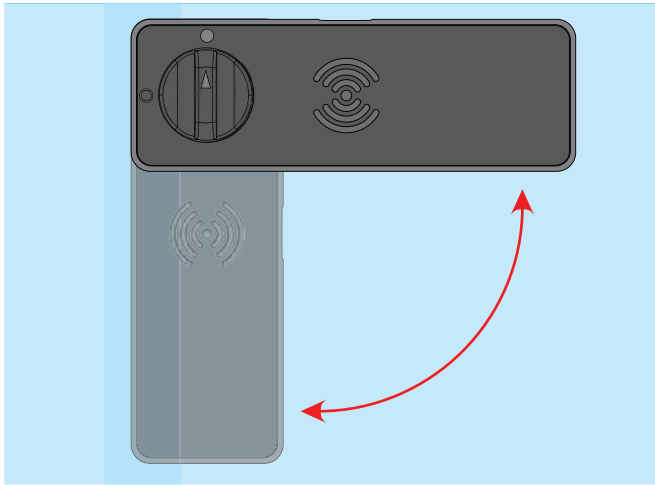


- 2 Swipe Pairing card to lock. Lock will start slowly beeping confirming it is looking for Versa EX network. Upon successfully pairing the lock will emit a double beep. Lock will automatically download key whitelist from Versa EX.

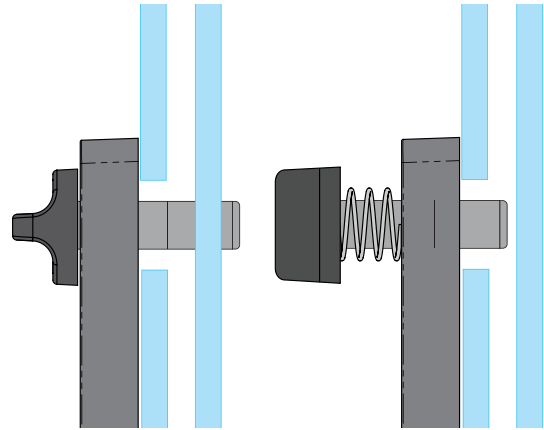


Full Versa EX programming can be found in guide 063-00393

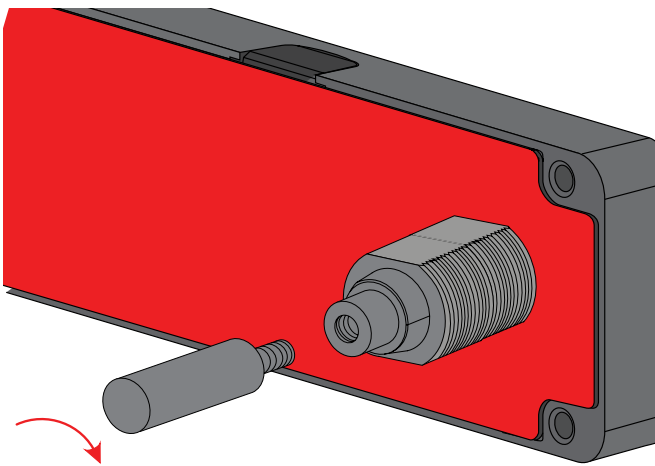
1 Determine if lock will be mounted vertical or horizontally.



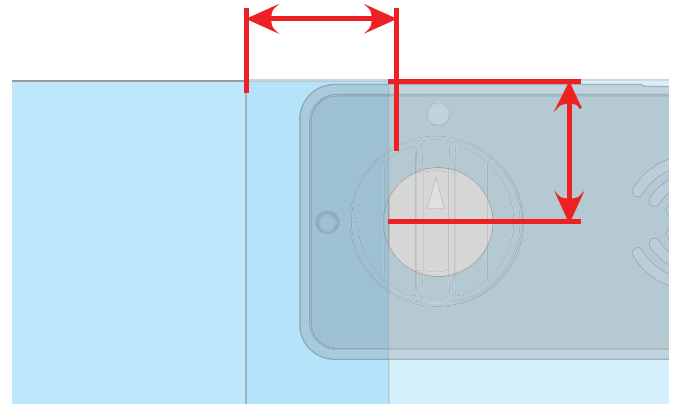
2 Measure total thickness of both doors plus door gap. This will determine which plunger, or plunger + extension to use. Plunger must be long enough to engage back sliding door, and clear it when the lock is open. Lock travel is 10mm.



3 If plunger extensions are needed, they simply screw into the lock plunger. Threads are M4.

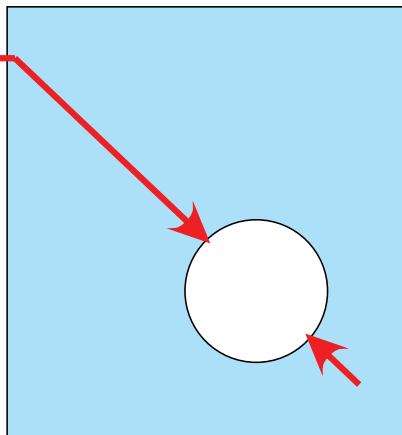


4 Measure Door Overlap (A) plus diameter of hole for plunger. Will range from 10-19mm. For Plunger only a 10mm clearance hole is needed. If using optional threaded bushing mount, drill a 19mm hole. Edge of hole should be even with edge of door overlap.

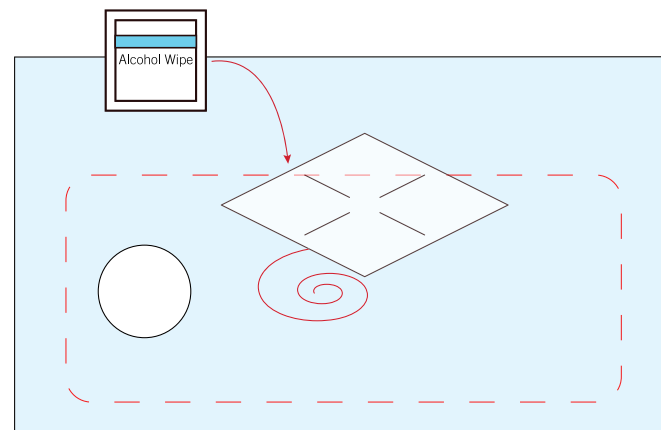


5 Drill hole in front door panel where marked in previous step. Hole size will vary depending on mounting type.

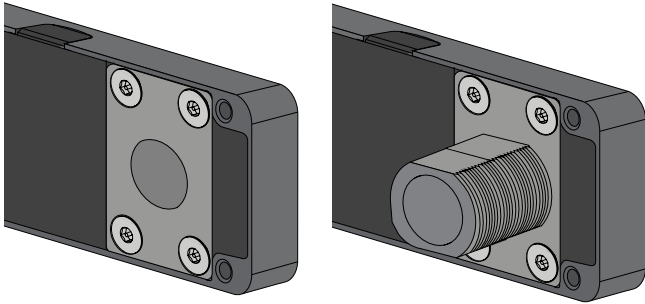
(10-19mm)
.39-.75in



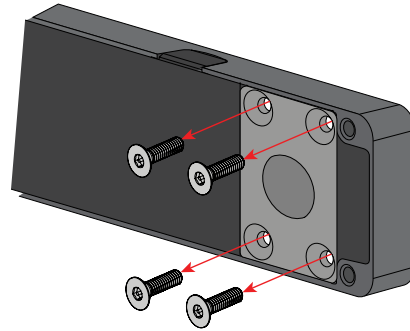
6 Clean surface of door with alcohol wipe in the area where lock will contact. Allow to dry thoroughly.



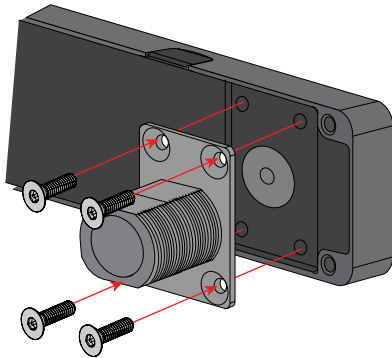
1 Mount back plates are either a simple flush mount (standard) or the optional threaded bushing kit included in the kit. If using flush mount, skip to step 4



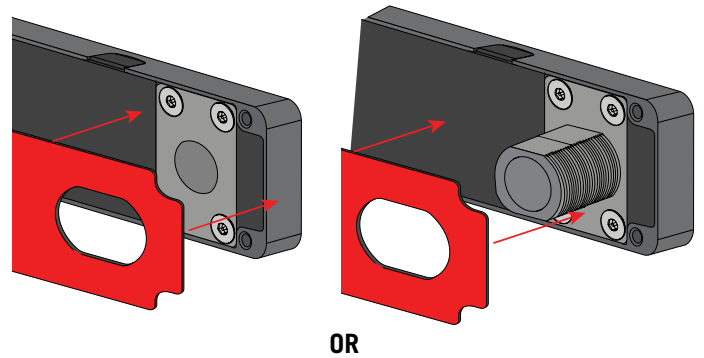
2 Change to bushing mount by removing four screws holding flush mount plate. Use MTI Retail Tool to remove.



3 Install threaded bushing with the screws removed in step 2. Tighten until they are snug. Do not over tighten.



4 Apply VHB to back of lock. Place pressure all around VHB pad to ensure good adhesion.

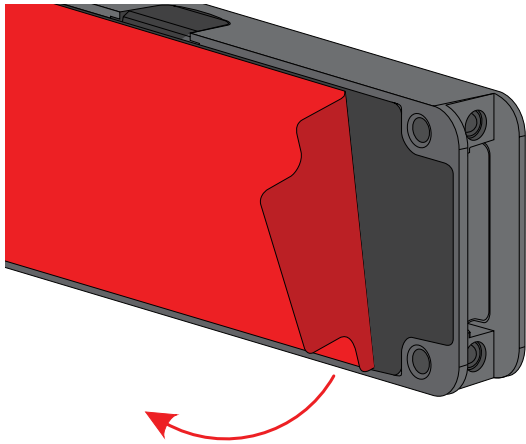


Plunger Lock Installation

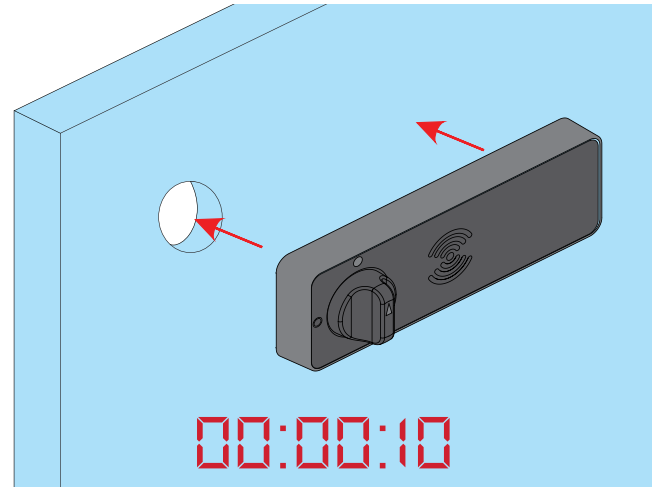
MTI PLUNGER LOCK™



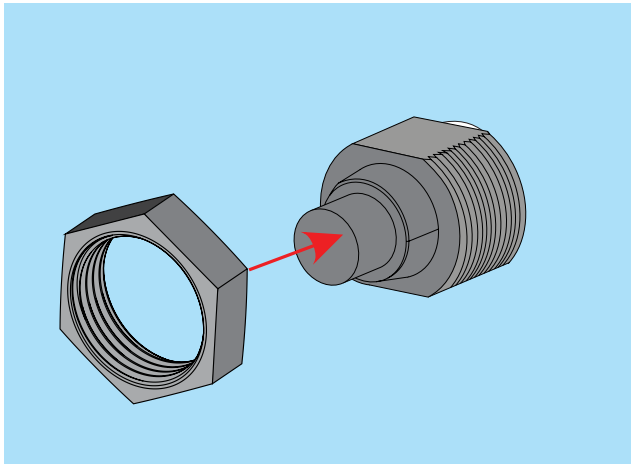
7 Peel red liner from VHB tape.



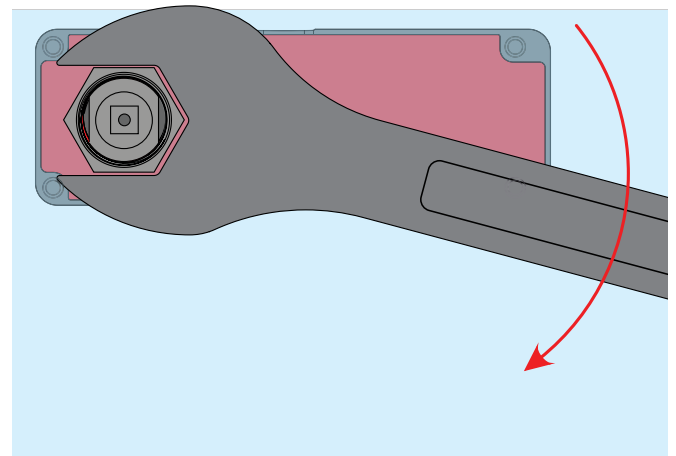
8 Apply lock to door, ensuring it is straight. Apply pressure to VHB for 10 seconds to ensure complete adhesion.



9 For applications using threaded bushing, attach nut to bushing.

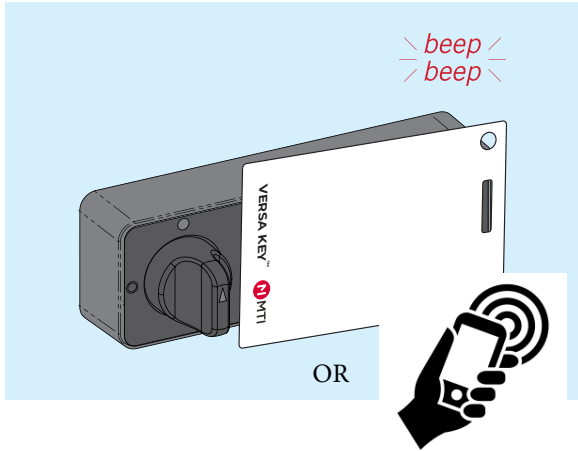


10 Tighten nut with wrench until nut is firmly in place.

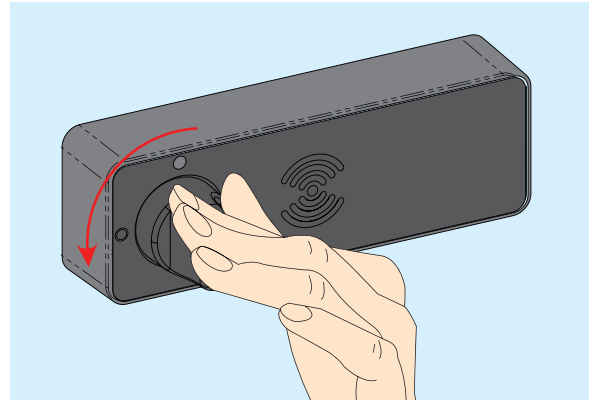


Do Not overtighten nut to avoid damaging door surface

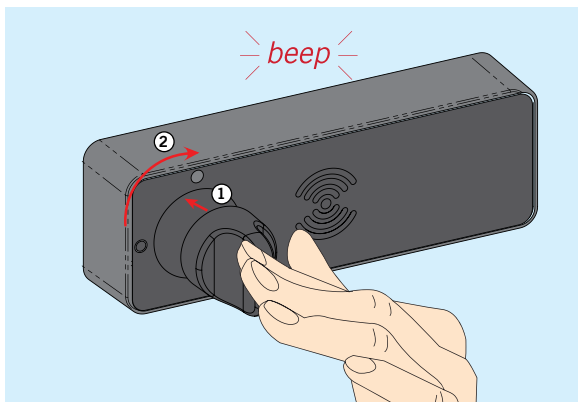
- 1** Swipe Versa User Card on lock. Lock will emit double beep if card is accepted. Motor will cycle to unlock state.
Or, open mobile application on phone and tap phone to the lock. Once the phone detects the lock, mobile app will present UNLOCK button. Touch button to unlock. Lock will emit a single beep immediately followed by a double beep.



- 2** User manually unlocks the lock by twisting knob and it will pop the knob/plunger out. Door may now be opened.



- 3** When finished, close door, push knob in, and twist knob to locked position. Lock will emit a single beep when it is locked. If lock is not returned to locked position, it will start alarming after 5 minutes of being unlocked.

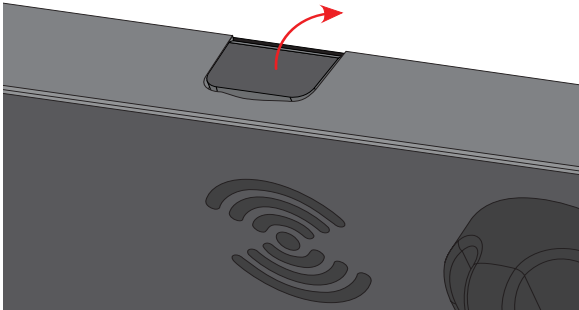


Correct Disposal of Product

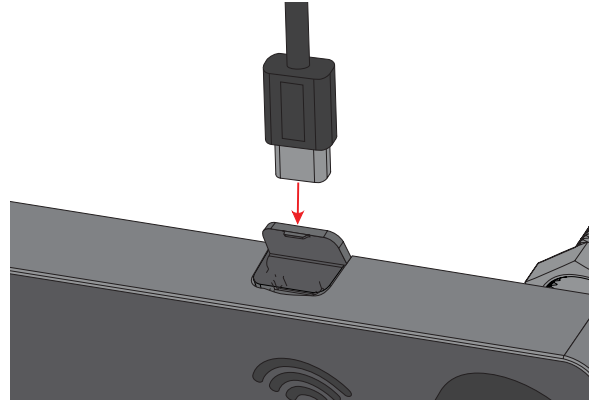
This marking indicates that this product should not be disposed with other household wastes throughout the EU. To prevent harm to the environment or human health from uncontrolled waste disposal, recycle it responsibly to promote the sustainable reuse of material resources. To dispose of used devices contact MTI Global Services Contact Center at 503-648-6500 or contact local recycling company for proper recycling instructions for electronic devices.

Powering Lock with Dead Battery

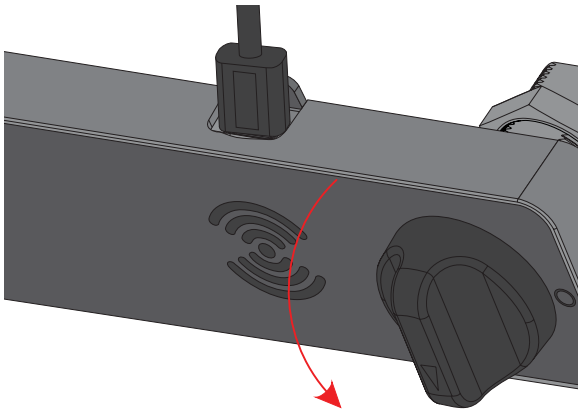
- 1** Flip up dust cover on power port.



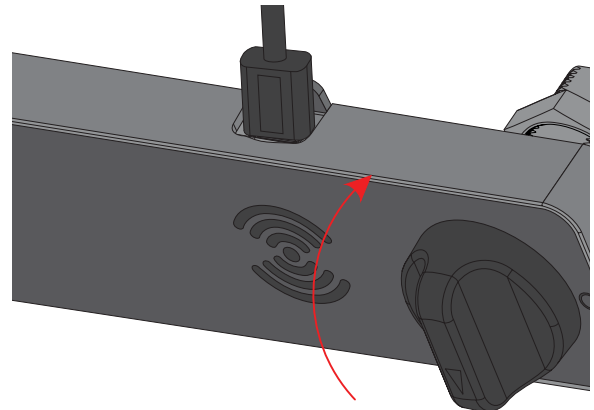
- 2** Insert USB-C from 5V USB-C power supply or external battery pack. We recommend MTI P/N 400-00186



- 3** Upon powering up, wait 10 seconds to initialize lock. Swipe RFID card. Twist lock to unlock normally.



- 4** Leave battery plugged in until you have re-locked the door. Replace battery as soon as possible.



FCC ID: 2AA2X-15000333V2

Model: Bluetooth Plunger Lock

FCC STATEMENT

This device complies with Part 15 of the FCC Rules.

Operation is subject to the following two conditions: (1) This device may not cause harmful interference, and (2) This device must accept any interference received, including interference that may cause undesired operation.

Caution: If any changes or modifications not expressly approved by the party responsible for compliance could void the user's authority to operate the equipment.

The grantee is not responsible for any changes or modifications not expressly approved by the party responsible for compliance. Such modifications could void the user's authority to operate the equipment.

This transmitter must not be co-located or operating in conjunction with any other antenna or transmitter. This equipment should be installed and operated with a minimum distance of 2 centimeters between the radiator and your body.

NOTE: This equipment has been tested and found to comply with the limits for a Class B digital device, pursuant to part 15 of the FCC Rules. These limits are designed to provide reasonable protection against harmful interference in a residential installation. This equipment generates, uses and can radiate radio frequency energy and, if not installed and used in accordance with the instructions, may cause harmful interference to radio communications. However, there is no guarantee that interference will not occur in a particular installation. If this equipment does cause harmful interference to radio or television reception, which can be determined by turning the equipment off and on, the user is encouraged to try to correct the interference by one or more of the following measures:

- Reorient or relocate the receiving antenna.
- Increase the separation between the equipment and receiver.
- Connect the equipment into an outlet on a circuit different from that to which the receiver is connected.
- Consult the dealer or an experienced radio/TV technician for help.

IC: 24439-15000333V2

Model: Bluetooth Plunger Lock

ISED Statement

This device contains licence-exempt transmitter(s)/receiver(s) that comply with Innovation, Science and Economic Development Canada's licence-exempt RSS(s). Operation is subject to the following two conditions:

(1) This device may not cause interference.

(2) This device must accept any interference, including interference that may cause undesired operation of the device.

L'émetteur/récepteur exempt de licence contenu dans le présent appareil est conforme aux CNR d'Innovation, Sciences et Développement économique Canada applicables aux appareils radio exempts de licence. L'exploitation est autorisée aux deux conditions suivantes :

- 1) L'appareil ne doit pas produire de brouillage;
- 2) L'appareil doit accepter tout brouillage radioélectrique subi, même si le brouillage est susceptible d'en compromettre le fonctionnement.

CAN ICES-3(B)/NMB-3(B)

The device meets the exemption from the routine evaluation limits in section 2.5 of RSS 102 and compliance with RSS-102 RF exposure, users can obtain Canadian information on RF exposure and compliance.

Le dispositif rencontre l'exemption des limites courantes d'évaluation dans la section 2.5 de RSS 102 et la conformité à l'exposition de RSS-102 rf, utilisateurs peut obtenir l'information canadienne sur l'exposition et la conformité de rf.

This transmitter must not be co-located or operating in conjunction with any other antenna or transmitter. This equipment should be installed and operated with a minimum distance of 2 centimeters between the radiator and your body.

Cet émetteur ne doit pas être Co-placé ou ne fonctionnant en même temps qu'aucune autre antenne ou émetteur. Cet équipement devrait être installé et actionné avec une distance minimum de 2 centimètres entre le radiateur et votre corps.

Technical Data

Operating frequency 125KHz , 2.4GHz : 2405- 2480MHz

Operating temperature: 0° C to 40° C

Max power : 125KHz <42dBuA/m at 10m, 2.4GHz < 20 dBm