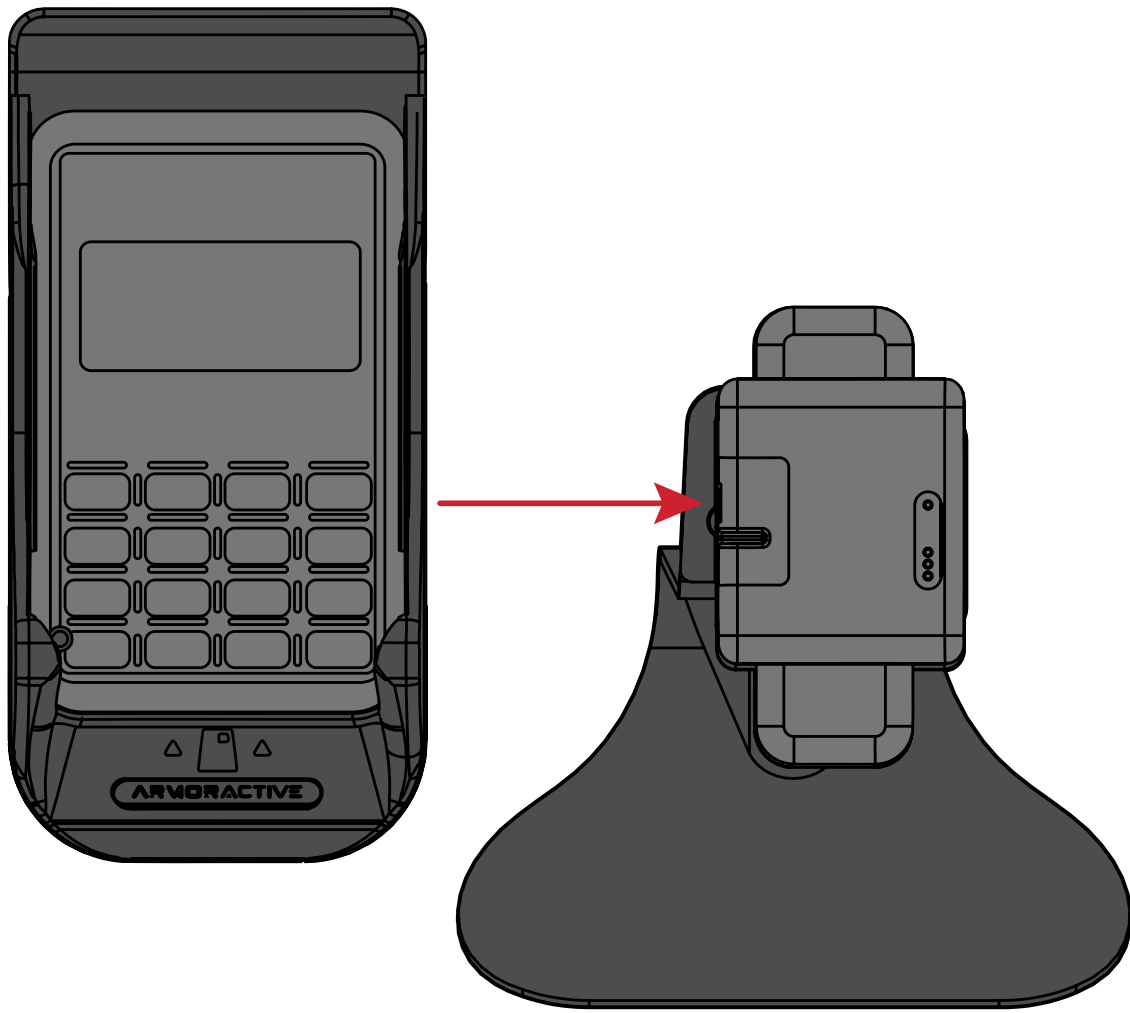
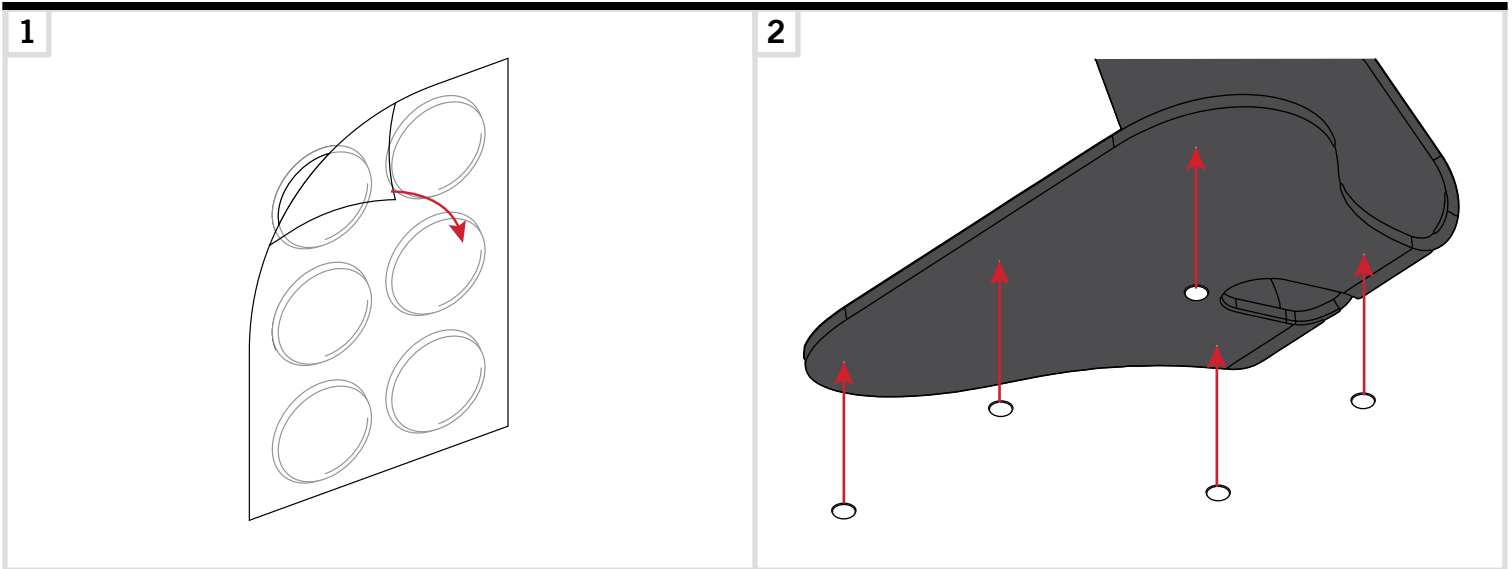


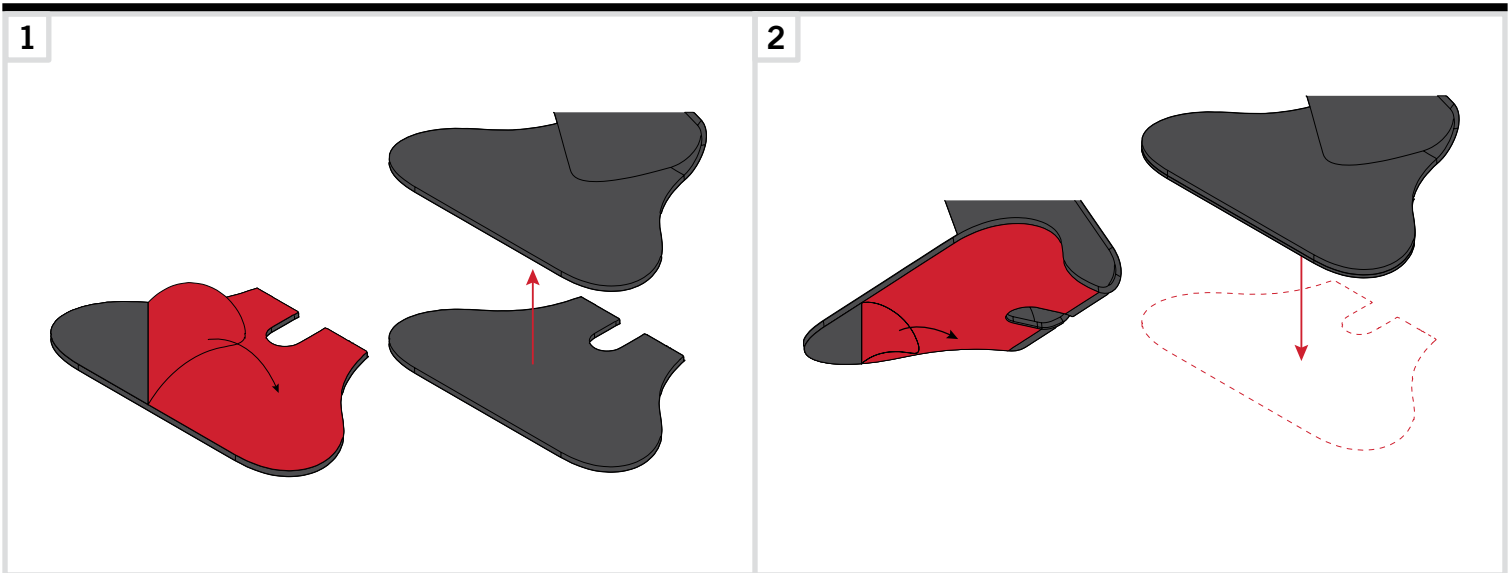
## PLACING CARD READER



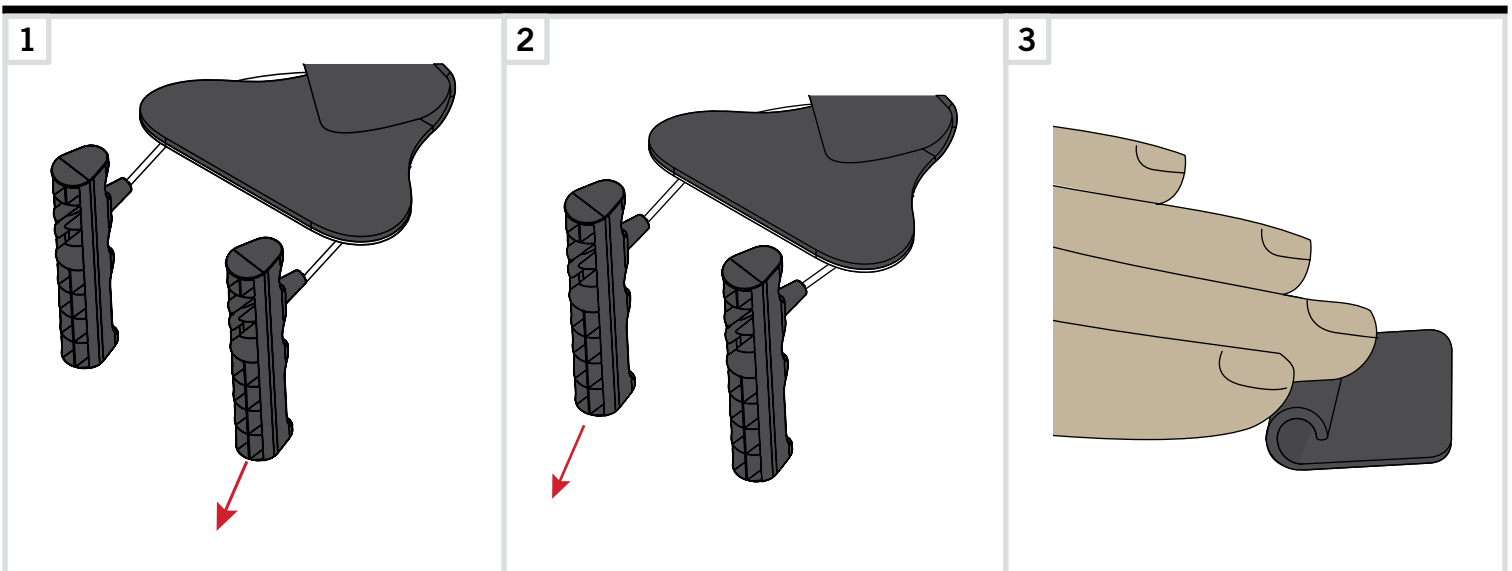
# RUBBER FEET



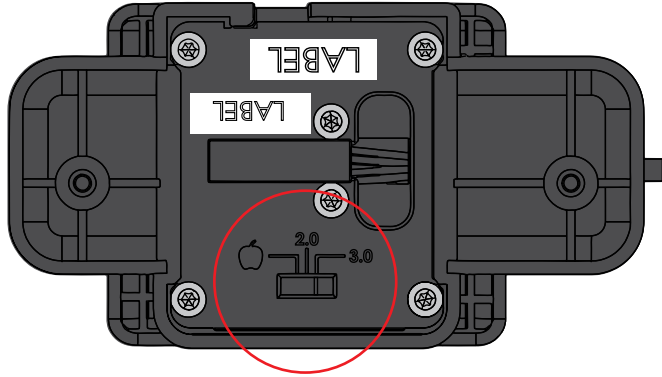
# VHB ADHESIVE



# REMOVING BASE VHB

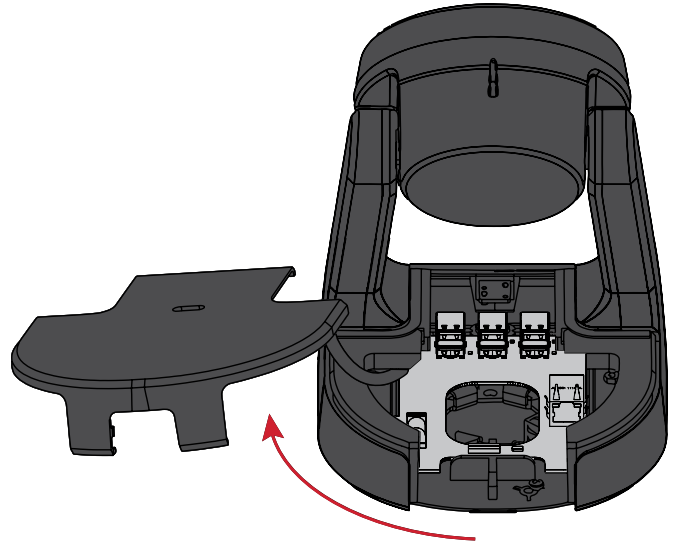


1

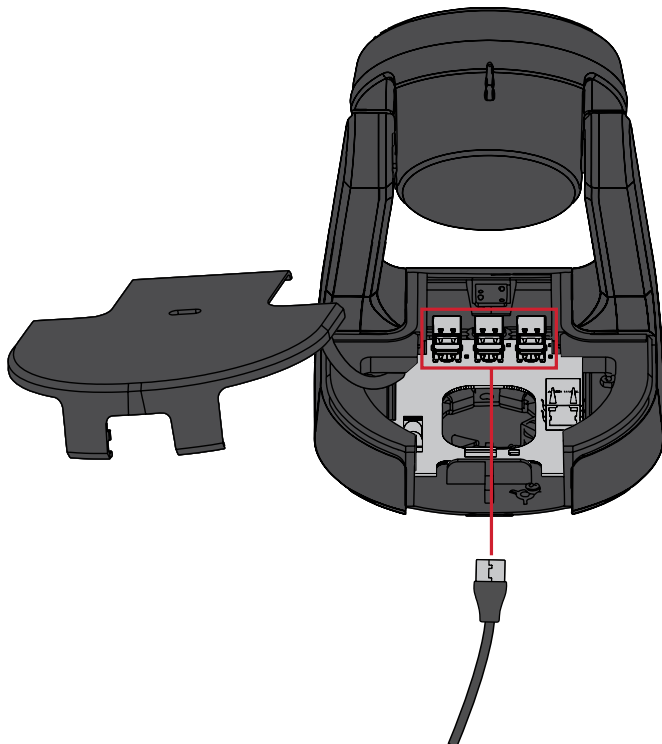


When using iSMP4 set switch to 3.0.  
When using Link 2500i set switch to 2.0.  
When using E355 set switch to 2.0.

2



3



4

