

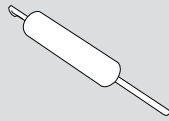
4-Point Generic Wing Bracket

 Please note that VHB
adhesion takes 24 hours.

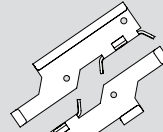
NOTES BEFORE INSTALLING: Space devices so they do not interfere with the install surface or other mounted devices. Clean back of device and top of Puck with alcohol wipe.



Puck



Quick-Release Tool

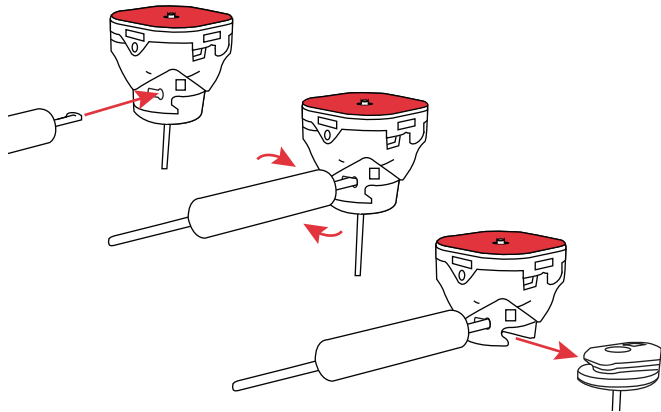


Brackets

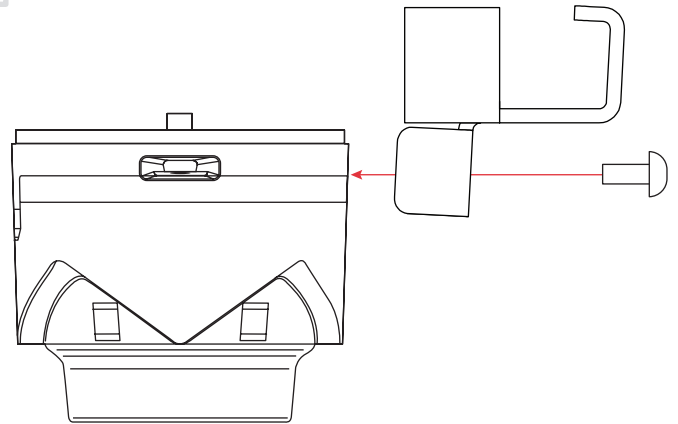


Security
Screws

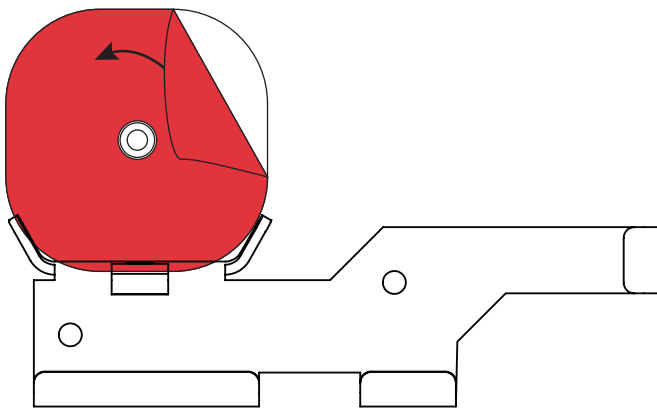
1



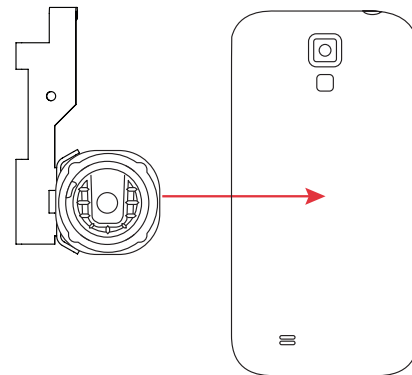
2




3

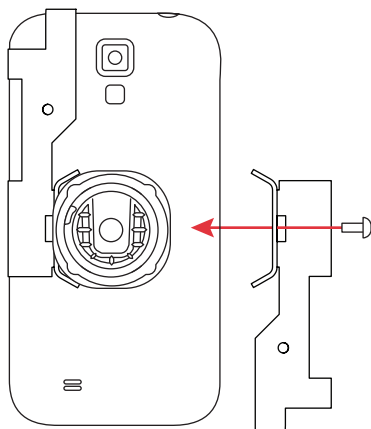


4



 Ensure bracket does not cover
buttons on the device.

5



6

