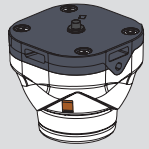




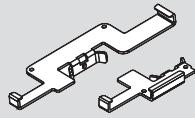
NOTES BEFORE INSTALLING: Do not overtighten screws. Overtightening screws may damage the threads on devices and MTI products. Disable alarm before installation and enable alarm after installation is complete.



Freedom Micro® Puck



VHB with Transfer



Bracket



Neoprene Pads



Double-Sided System Tool

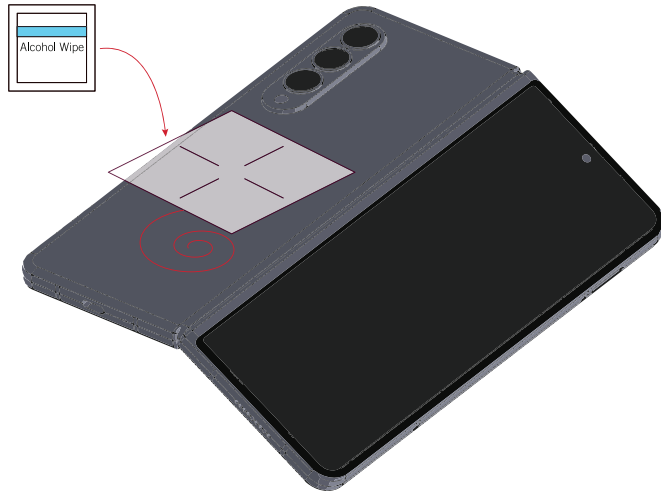


Security Screws

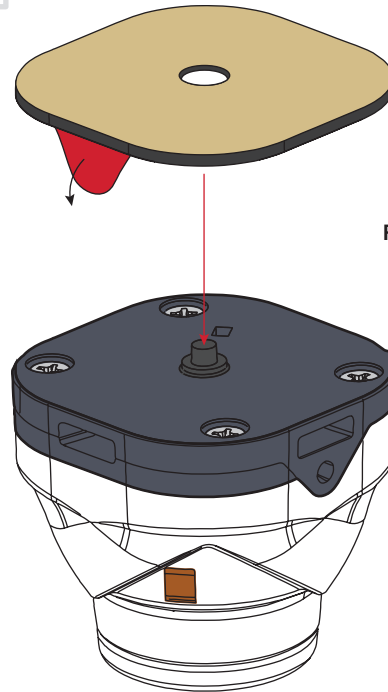


Alcohol Wipe

1

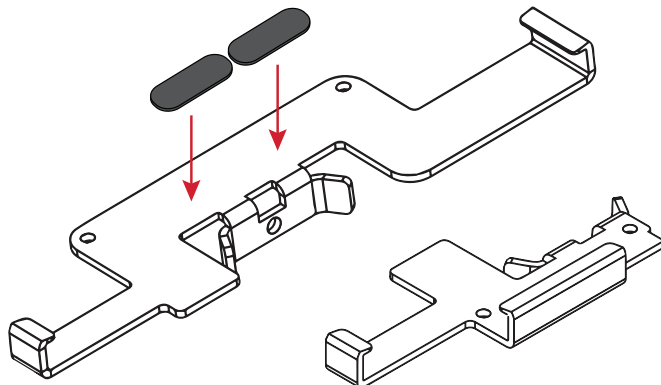


2



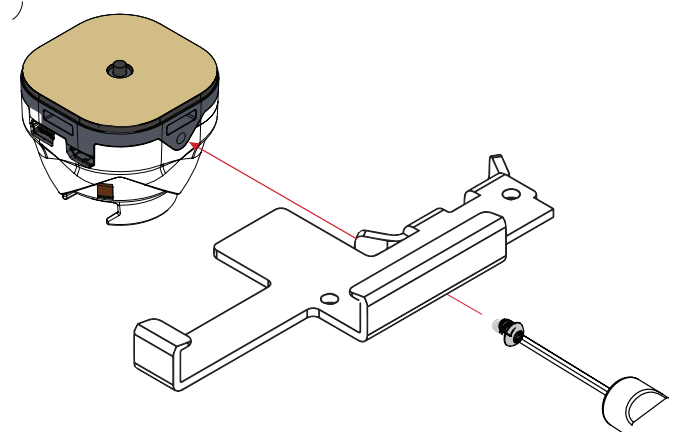
Red side of VHB should face puck, tan side should face device for proper adhesion.

3

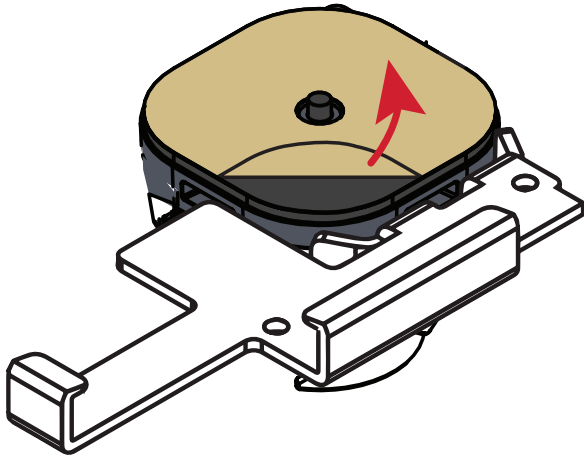


Neoprene pads should cover part number on bracket

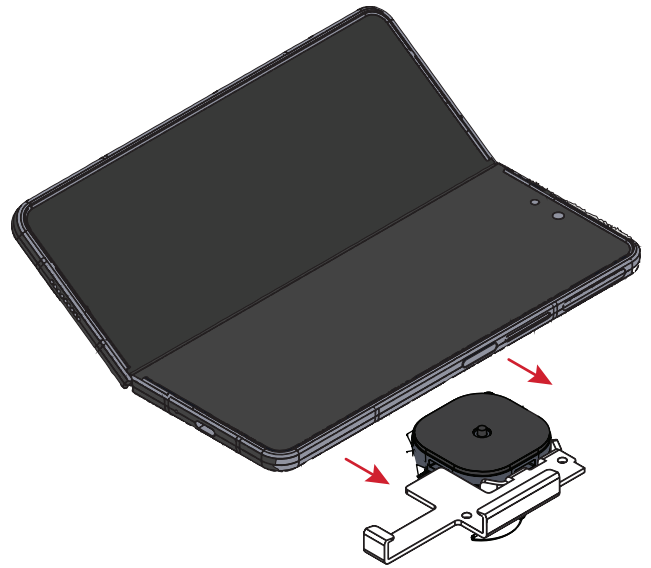
4



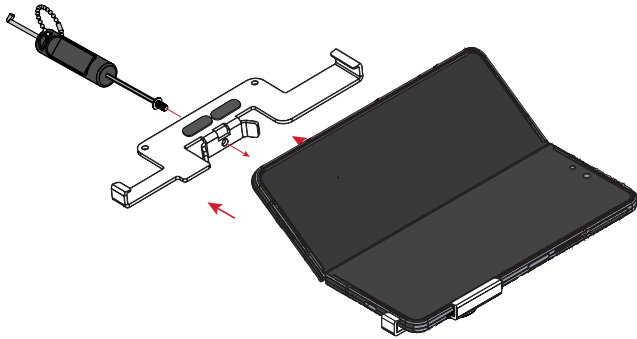
5



6



7



8

