

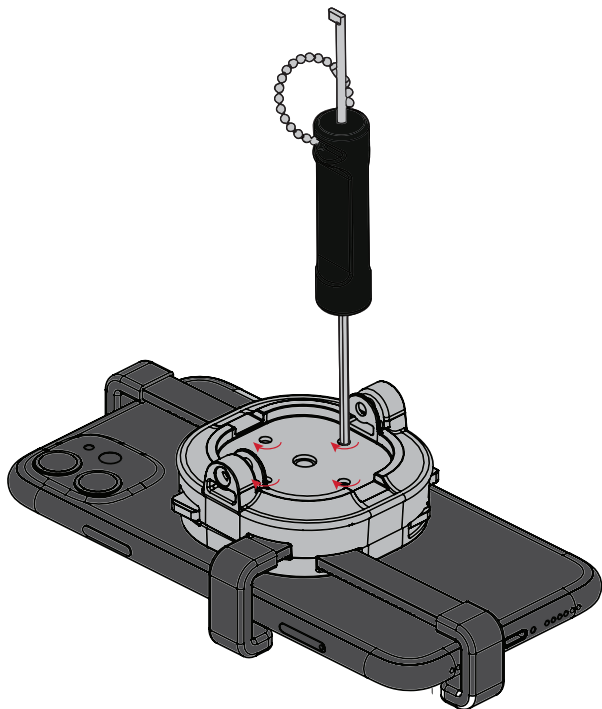
FREEDOM MICRO UNIVERSAL BRACKET


Part numbers 165-01034, 165-01404

FREEDOM MICRO® INSTALLATION GUIDE

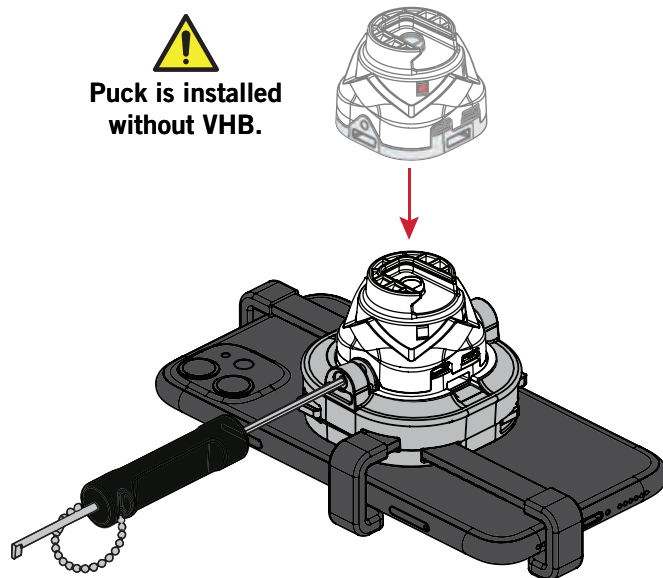



- 5** Tighten the bracket arms with the Double Sided System Tool via the access holes on the back. Squeeze arms together while tightening screws to ensure a snug fit.



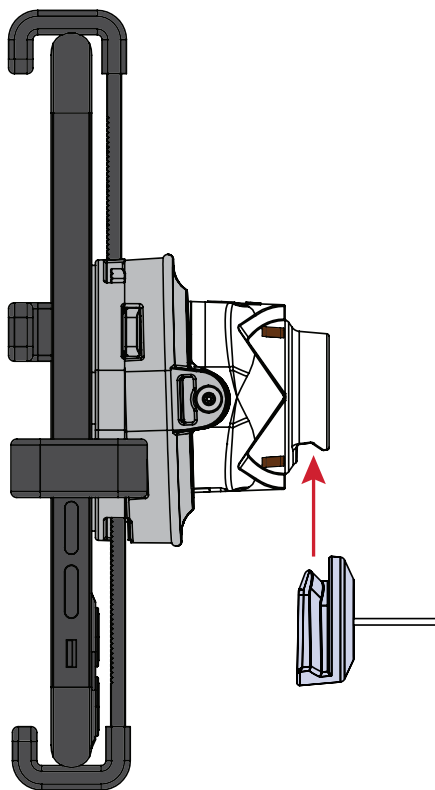
 **Double-check that arm screws are fully tightened! Also, check arms monthly to ensure they are tight. Arms may loosen over time with use.**

- 6** Insert puck without VHB and tighten the 2 captive security fasteners to either side of the puck. If using retrofit lockdown bracket, insert puck, then proceed to steps 7 and 8.

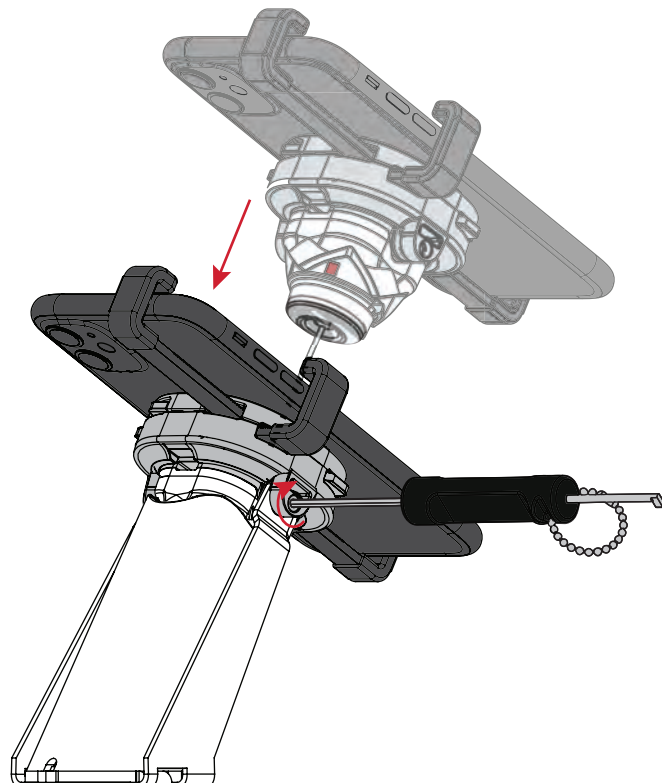


 **Check mounting screws monthly to ensure they have not loosened up due to use.**

- 7** Insert the AirTether™ dovetail into the puck and dock the puck/bracket/device assembly on the riser.



- 8** If using the retrofit position bracket, dock the puck, and tighten the 2 captive security fasteners to either side of the puck through bracket stirrup.

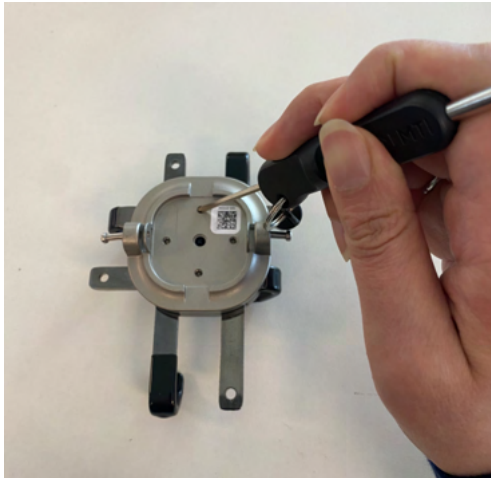


Occasionally, having the bracket medallion centered on the device may cover or partially cover a needed button on the edge of the phone. In those cases, the bracket can be offset on the device. The instructions below show the steps to offset up/ down. The same steps can be used to offset left/ right.

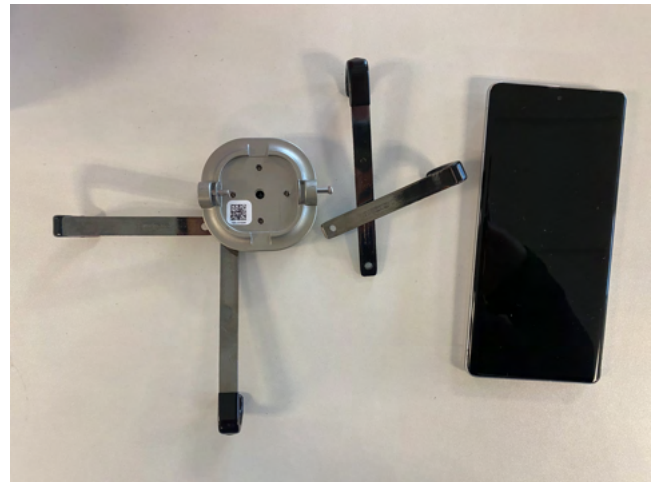
[Click here for video](#)



- 1** Using the Freedom Micro tool, loosen the 4 security screws on the back of the medallion to loosen the bracket arms.



- 2** Slide all 4 arms all the way out.



- 3** Place the side bracket arms on the device, lining up with where they need to fit on the phone. Ensure the medallion is in the upright orientation; the QR code label should be upright.



- 4** Slide in only the bottom bracket arm part way, not all the way flush with the device.



5 Then, start to slide in the top bracket arm.



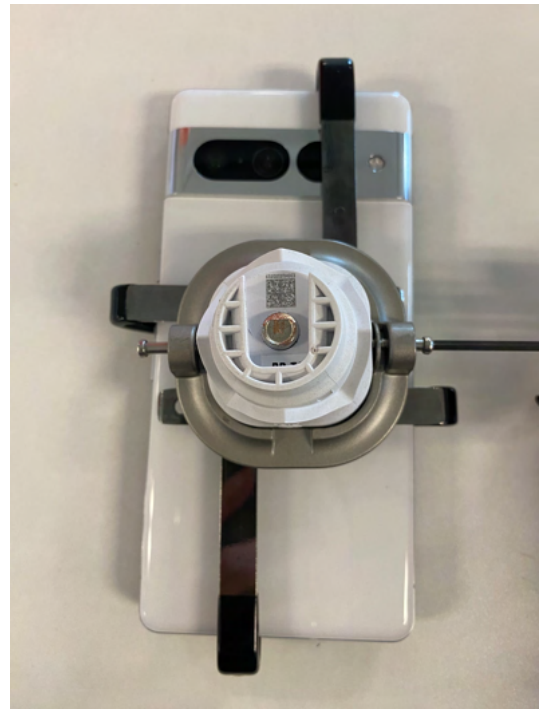
6 Slide both arms inwards and fit all bracket arms snugly around the device. Tighten the 4 screws using the MTI tool.



7 Make sure the bracket arms are not obstructing any needed buttons on the edge of the phone. If further adjustment is needed, repeat above steps until the bracket arms are lined up where they need to be.



8 Install the puck and tighten the 2 security screws on the back using the MTI tool.



1 In some cases, it may be necessary to put the bracket arms in different slots to clear side buttons on the phone. Loosen the screws on the back of the medallion and slide the arms all the way out.



2 Then, slide the arms into the new slots.



3 Make sure the bracket arms are not covering any side buttons on the phone. If any buttons are partially obstructed, follow procedure for offsetting arms.



4 Tighten the security screws on the back using the MTI tool.

