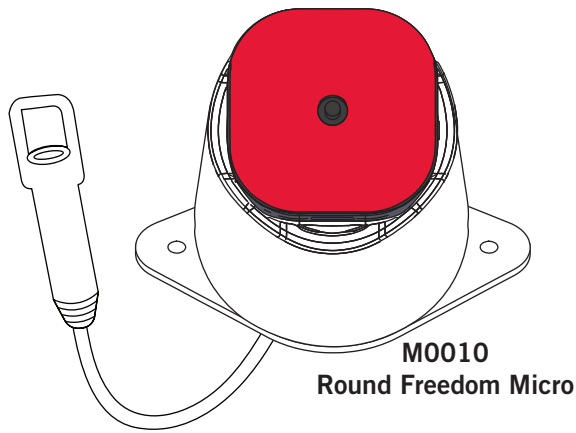


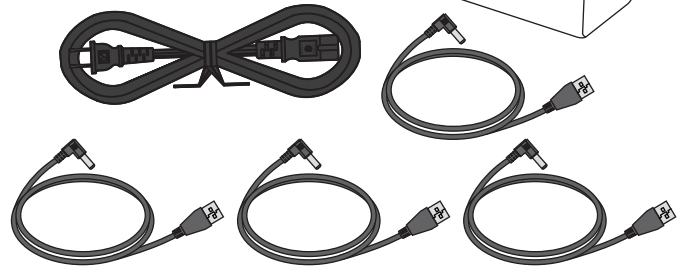
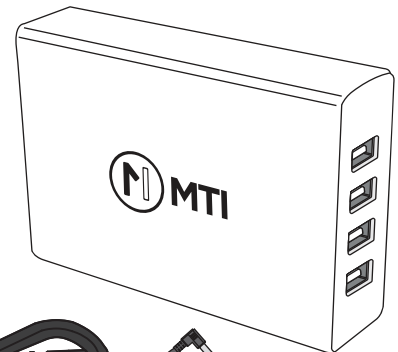
INSTALLING MICRO DEVICE SECURITY TO 60" IPHONE WALL



PARTS REQUIRED

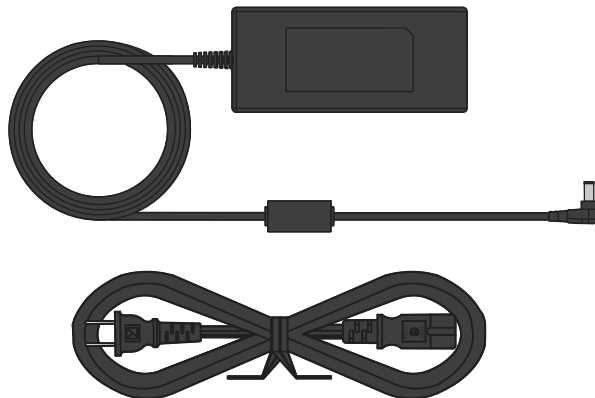


M0010
Round Freedom Micro



M0088
Power Supply & Power Cable
Optional: Use in place of 4-Port Power Hub

M0003
4-Port Power Hub Kit
Optional: Use in place of individual Power Supply



M0057
Double-Sided System Tool

M0001 - Track Adapter Kit

~~Spacer Adapter 1~~



~~Spacer Adapter 2~~



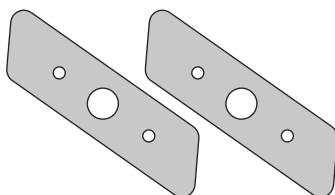
~~Spacer Adapter 3~~



~~Spacer Screws~~



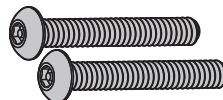
Track Mounting Tabs



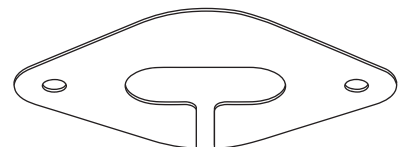
~~Mounting Tab Screws Short~~



Mounting Tab Screws Long



Plunger Adapter Plate



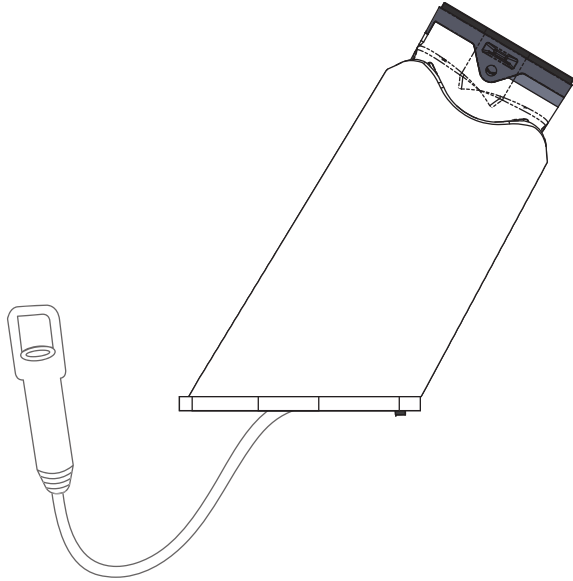
Parts with an "X" are NOT needed for this mounting configuration. Save any unused parts for future installations on different fixtures.



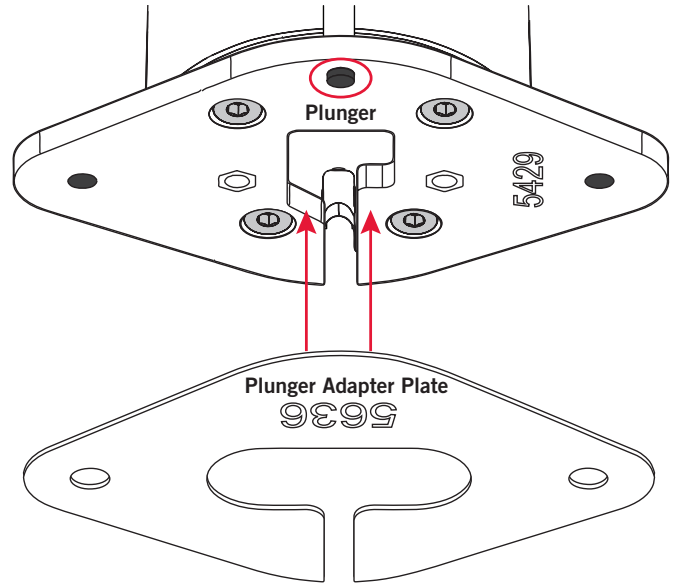
INSTALLING MICRO DEVICE SECURITY TO 60" iPHONE WALL



1 Route Freedom Micro power cable out the bottom.

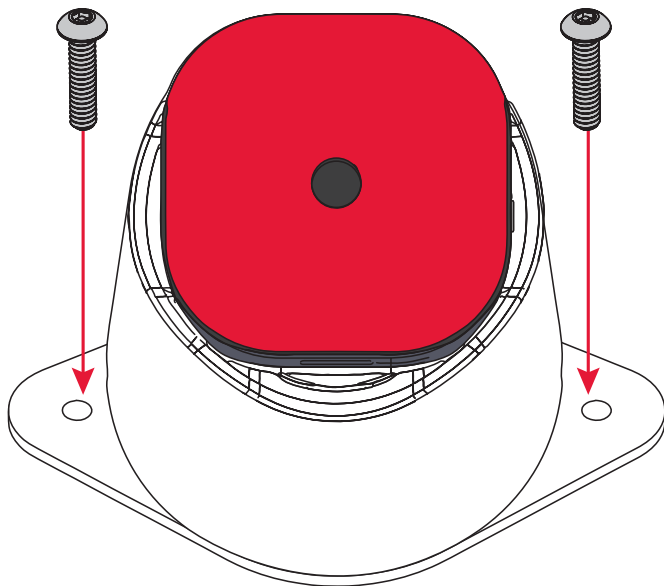


2 Install the plunger adapter plate up against the bottom of the baseplate.

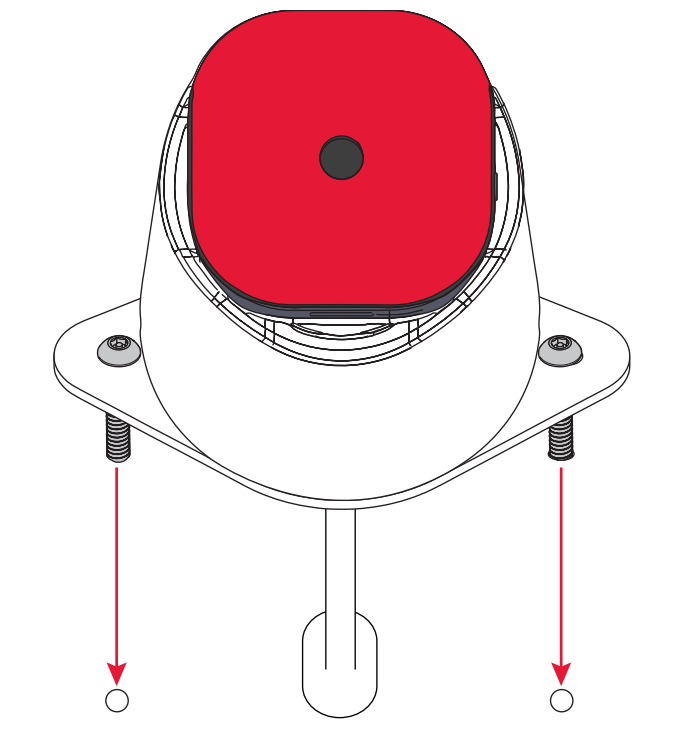


This is required to arm the alarm and charge the device.

3 Insert the Long Mounting Tab Screws into the holes on either side of the baseplate.



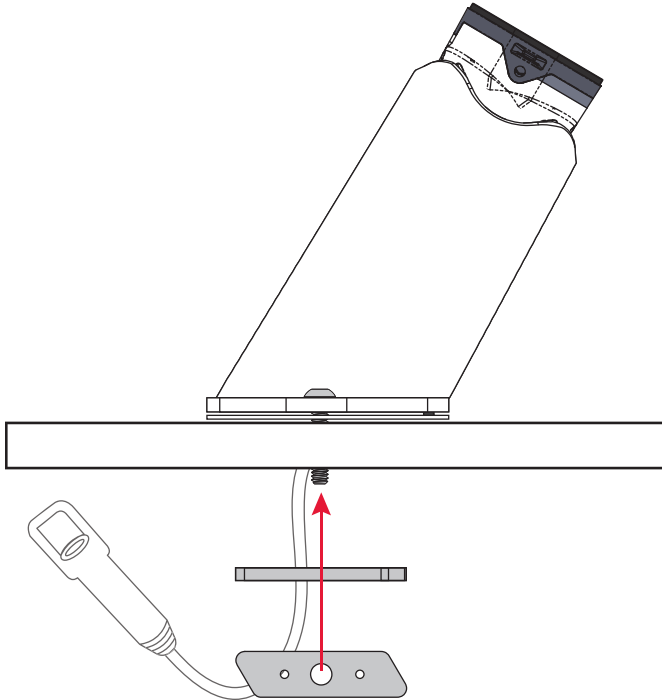
4 Insert the position into the fixture. Be sure to insert power cable into large hole in fixture.



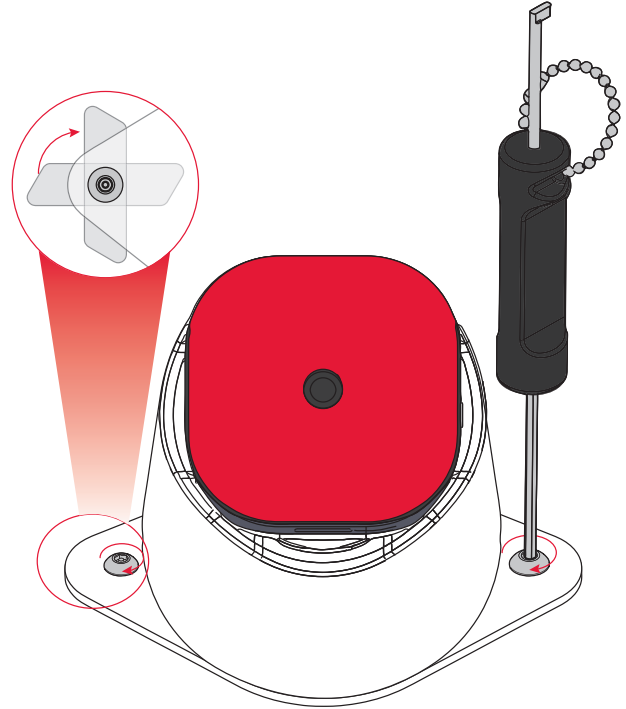
INSTALLING MICRO DEVICE SECURITY TO 60" iPHONE WALL



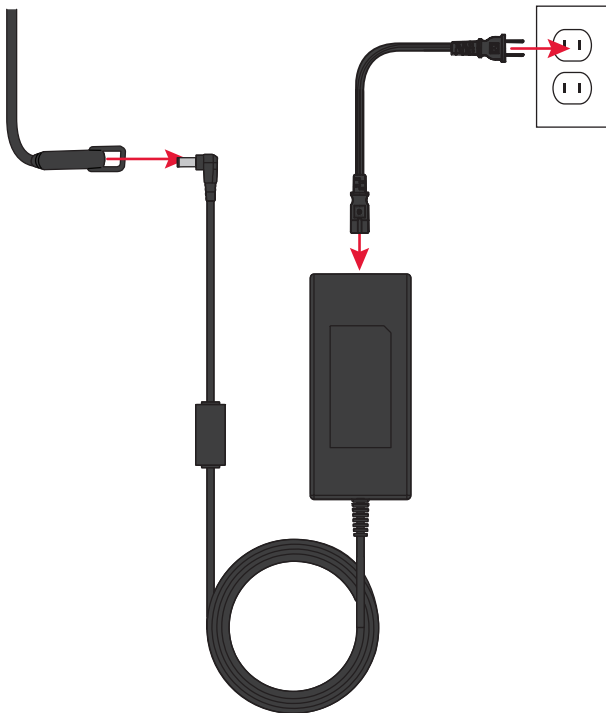
- 5** Rotate the mounting tabs onto the mounting screws until flush with bottom of screw. Make sure the DOTTED side of the mounting tabs is facing DOWN.



- 6** Hold the position steady with one hand. With your other hand use the Double-Sided System Tool to turn the screws to move the mounting tabs into position. Tighten screws to lock position to the fixture.



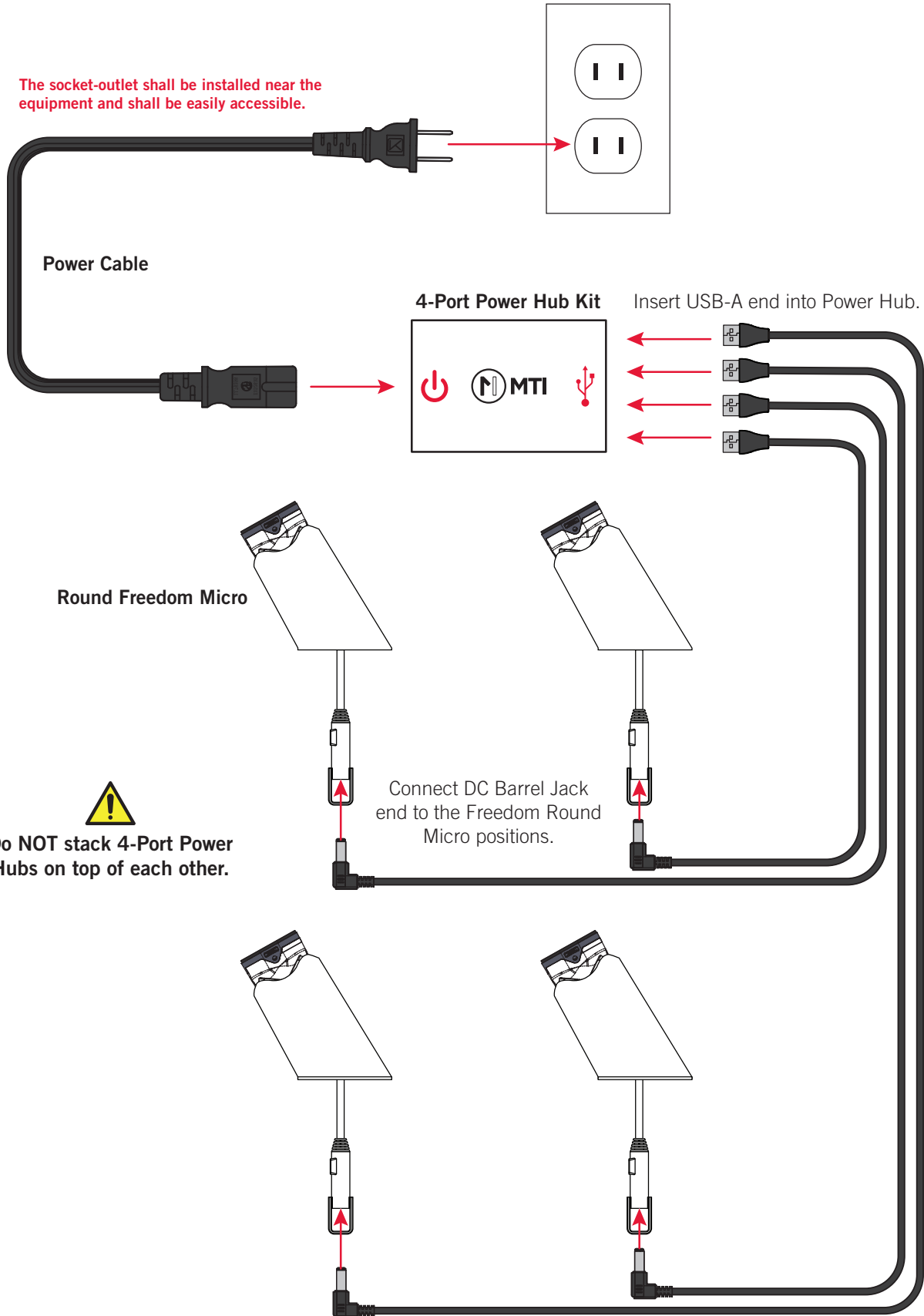
- 7** There are two options for connecting power. Option 1: Use the 4-Port Power Hub (detailed instructions on following page). Option 2: Use the individual power supply and plug it into the nearest outlet.



INSTALLING MICRO DEVICE SECURITY TO 60" iPHONE WALL



The socket-outlet shall be installed near the equipment and shall be easily accessible.




Do NOT stack 4-Port Power Hubs on top of each other.

Connect DC Barrel Jack end to the Freedom Round Micro positions.

Insert USB-A end into Power Hub.