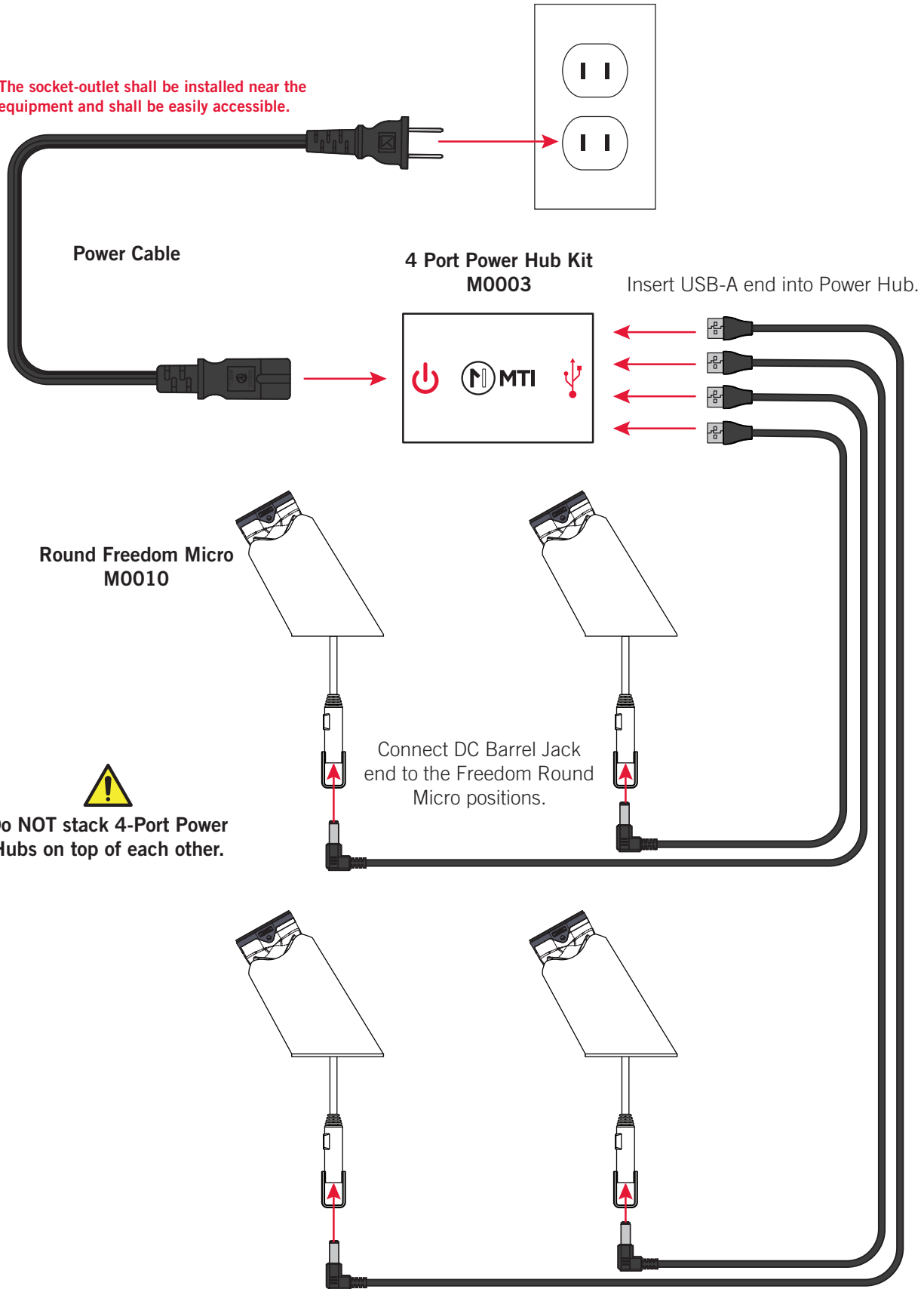


# MICRO 4-PORT POWER HUB - INSTALLATION GUIDE



The socket-outlet shall be installed near the equipment and shall be easily accessible.



# MICRO 4-PORT POWER HUB - INSTALLATION GUIDE



Please keep observed safety notes before use.

Technical data

Model: K-MU017H

Input: AC 100-240V, 50-60Hz, 1500mA(Max)

Output: USB\*4, 5V ===11.2A(Max),  
5V ===2.8A(Each port)

To comply with the published safety standards, the following must be observed when using this power supply.

1. For information technology equipment and office equipment use only.
2. The output power taken from the supply must not exceed the rating given on the power supply.
3. The charger is not intended to be repaired by service personnel in case of failure or component defect (unit can be thrown away).
4. For indoor use only.
5. The disconnection from line voltage is made by pulling the mains plug.
6. The socket-outlet shall be installed near the equipment and shall be easily accessible.
7. DISPOSAL: Do not dispose this product as unsorted municipal waste. Collection of such waste separately for special treatment is necessary.



## Correct Disposal Of This Product

This marking indicates that this product should not be disposed with other household wastes throughout the EU. To prevent possible harm to the environment or human health from uncontrolled waste disposal, recycle it responsibly to promote the sustainable reuse of material resources. To return your used device, please use the return and collection systems or contact the retailer where the product was purchased. They can take this product for environmental safe recycling.