

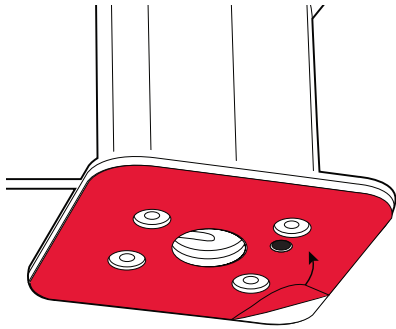


Please note that VHB adhesion takes a total of 24 hours.

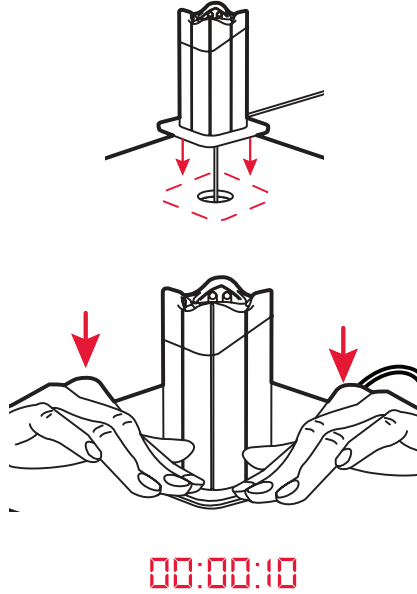
NOTES BEFORE INSTALLING: Clean top of fixture surface with alcohol wipe. Determine configuration (A or B) before installation.

Configuration A: Top-Mount

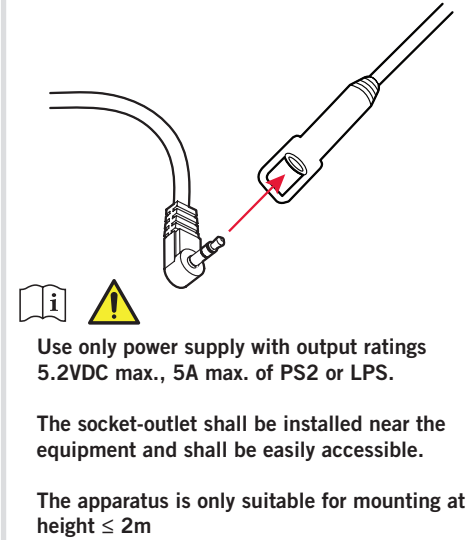
1



2

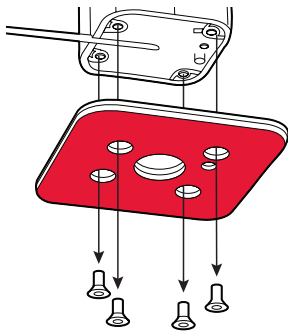


3

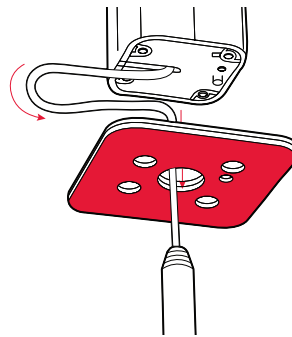


Configuration B: Through-Hole

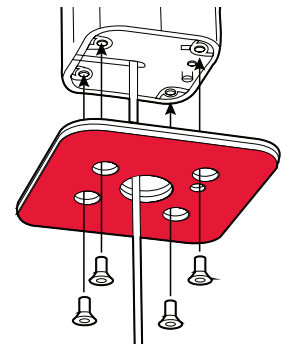
1



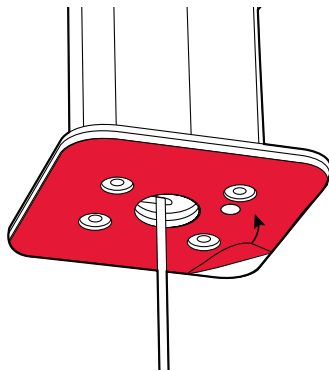
2



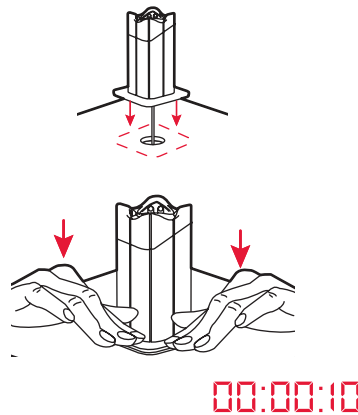
3



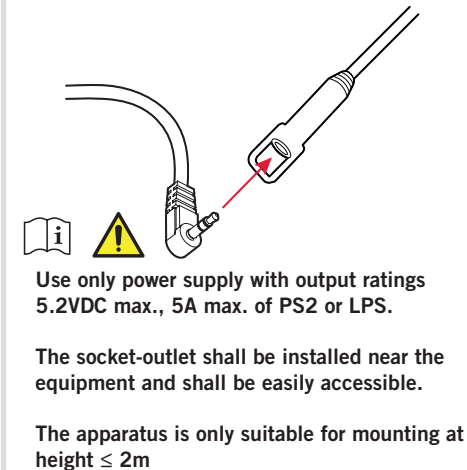
4



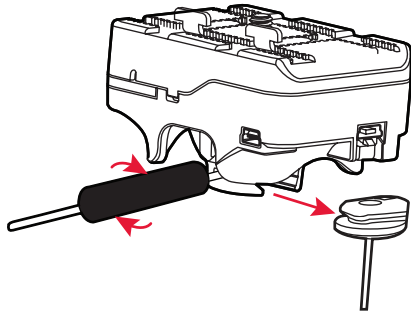
5



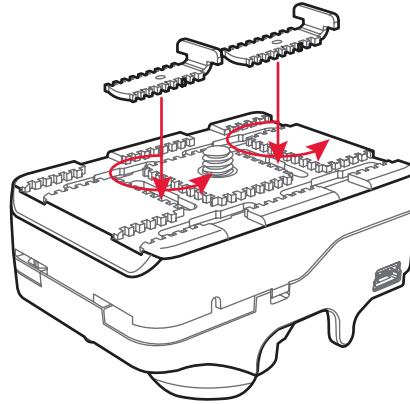
6



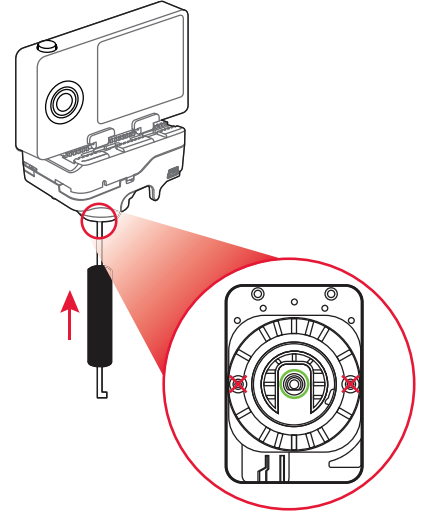
1



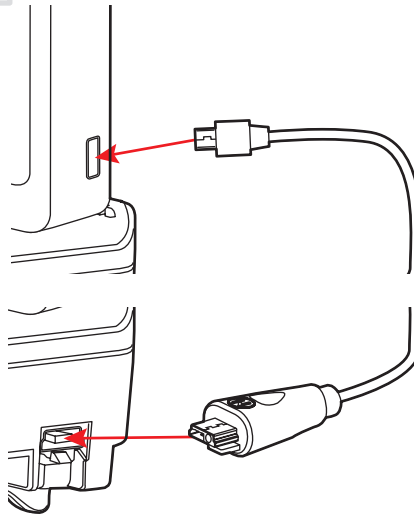
2



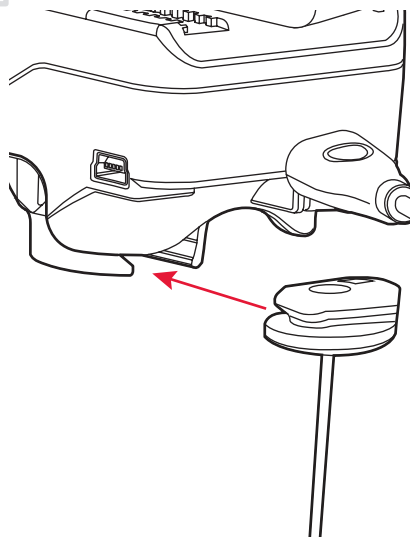
3



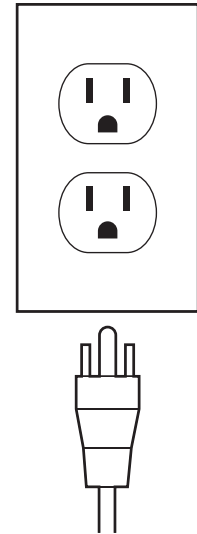
4



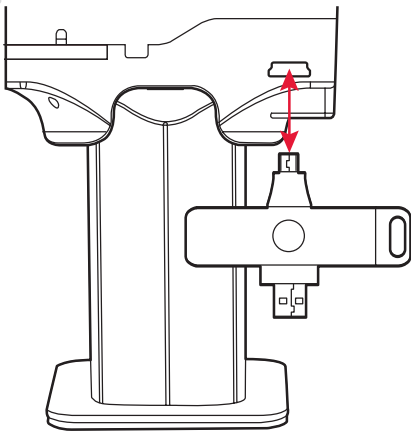
5



6

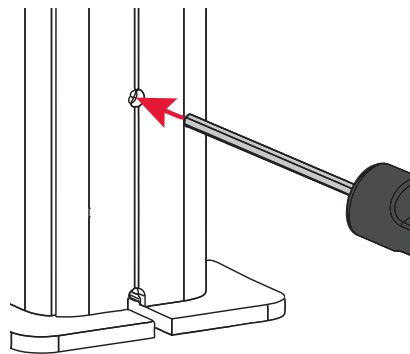


7

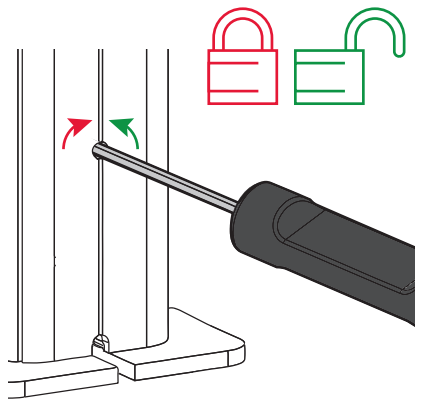


Arm the system.

8



9



Lock or unlock tether.

Federal Communication Commission interference statement

This equipment has been tested and found to comply with the limits for a Class B digital device, pursuant to part 15 of the FCC rules. These limits are designed to provide reasonable protection against harmful interference in a residential installation. This equipment generates, uses and can radiate radio frequency energy and, if not installed and used in accordance with the instructions, may cause harmful interference to radio communications. However, there is no guarantee that interference will not occur in a particular installation. If this equipment does cause harmful interference to radio or television reception, which can be determined by turning the equipment off and on, the user is encouraged to try

to correct the interference by one or more of the following measures: -Reorient or relocate the receiving antenna. -Increase the separation between the equipment and receiver. -Connect the equipment into an outlet on a circuit different from that to which the receiver is connected. -Consult the dealer or an experienced radio/TV technician for help.

FCC Caution

This device complies with Part 15 of the FCC Rules. Operation is subject to the following two conditions:

1. This device may not cause harmful interference and
2. This device must accept any interference received, including interference that may cause undesired operation

RF Exposure Warning

The equipment complies with RF exposure limits set forth for an uncontrolled environment. The antenna(s) used for this transmitter must not be co-located or operating in conjunction with any other antenna or transmitter. You are cautioned that changes or modifications not expressly approved by the party responsible for compliance could void your authority to operate the equipment.



Safety Precaution

1. Scan the QR code close to the product for install guide
2. Use only Power Supply with output ratings 5.2VDC 3A max., of PS2 or LPS. Other specification may cause damage.
3. The socket-outlet shall be installed near the equipment and shall be easily accessible

Technical Data

Operating Temperature: 0°C to 40°C

Additional Safety Information

1. For indoor use only. The apparatus shall not be exposed to water.
2. No user replaceable parts inside; refer servicing to manufacturer or qualified service personnel.
3. Only use accessories specified by the manufacturer.
4. Do not expose to excessive heat sources.

Disposal: All electrical and electronic products including batteries should be disposed of separately from the municipal waste stream via designated collection facilities appointed by the government or the local authorities.

Mesure de sécurité

1. Scannez le code QR à proximité du produit pour le guide d'installation
2. Utilisez uniquement une alimentation avec des valeurs de sortie de 5,2 V CC 3 A max., de PS2 ou LPS. D'autres spécifications peuvent causer des dommages.
3. La prise de courant doit être installée à proximité de l'équipement et doit être facilement accessible

données techniques

Température de fonctionnement : 0°C à 40°C

1. Pour une utilisation en intérieur uniquement. L'appareil ne doit pas être exposé à l'eau.
2. Aucune pièce remplaçable par l'utilisateur à l'intérieur ; confier l'entretien au fabricant ou personnel de service qualifié.
3. Utilisez uniquement les accessoires spécifiés par le fabricant.
4. Ne pas exposer à des sources de chaleur excessives.

Élimination : Tous les produits électriques et électroniques, y compris les batteries, doivent être éliminés séparément du flux de déchets municipaux via des centres de collecte désignés par le gouvernement ou les autorités locales.

This product contains a rechargeable battery. Proper storage, use, and disposal of the battery is important. Please refer to the guidelines below:



- i. Properly dispose of the battery; Do not dispose of the battery into a furnace/oven or into a fire or mechanically crush or cut the battery, as this could cause the battery to explode.
- ii. Storing the battery in an environment at higher temperatures than stated above can result in explosion or leaking of flammable liquid or gas.
- iii. Subjecting a battery to very low air pressure or high altitudes can result in explosion or leaking of flammable liquid or gas.



Ce produit contient une batterie rechargeable. Stockage, utilisation et l'élimination de la batterie est importante. Veuillez vous référer aux directives ci-dessous :

- i. Éliminez correctement la batterie ; Ne pas jeter de la batterie dans un four/oven ou dans un feu ou écraser ou couper mécaniquement la batterie, car cela pourrait faire exploser la batterie.
- ii. Stockage de la batterie dans un environnement à plus haute températures que celles indiquées ci-dessus peuvent entraîner explosion ou fuite de liquide ou de gaz inflammable.
- iii. Soumettre une batterie à une pression d'air très basse ou les hautes altitudes peuvent provoquer une explosion ou une fuite de liquide ou gaz inflammable.



Safety Warnings and Precautions

DANGER

- LITHIUM-ION BATTERIES CAN POSE A RISK OF FIRE, PROPERTY DAMAGE AND SERIOUS INJURY IF DAMAGED OR USED PAST THEIR EFFECTIVE LIFE (USUALLY 14 MONTHS).
- STOP USING THE BATTERY IMMEDIATELY AND STOP CHARGING THE BATTERY IF ABNORMAL HEAT, ODOR, DISCOLORATION, DEFORMATION/SWELLING OR ANY OTHER ABNORMAL CONDITION IS DETECTED.
- Thoroughly read the user's manual before use, as inaccurate handling, storage or use of lithium-ion rechargeable batteries may cause leakage, heat, smoke, fire, or degrade battery performance.
- Lithium-ion batteries have finite life cycles. If the time that the battery powers equipment between charges becomes shorter than usual, the battery life is at an end. Remove device from service and contact MTI for guidance on replacement options.

CAUTION

- Keep away from heat or open flame, especially if leakage or an odor is detected.
- When not using the battery for an extended period, remove the electronic device from service and store in a place with low humidity and controlled room temperature. Keep the cells in 50% charged state during long period storage. Recommend maintenance is to charge the battery up to 50% of the total capacity every 3 months after receipt of the battery and maintain the voltage 3.7~4.0V.
- Extended or improper storage can result in degraded battery performance and increased risk of failure.

FIRST AID MEASURES

- In case of battery rupture, evacuate personnel from contaminated area and provide maximum ventilation to clear out fumes and gases. Avoid contact with any liquid leaking from the battery.
- If liquid leaks onto your skin or clothes, immediately flush affected areas with plenty of water and soap for at least 15 minutes and seek medical attention. Do not apply ointments unless instructed by a doctor.
- If liquid is leaking from the battery cell gets into your eyes, do not rub your eyes. Immediately flush with plenty of water (eyelids-held open) for at least 15 minutes and seek medical attention.