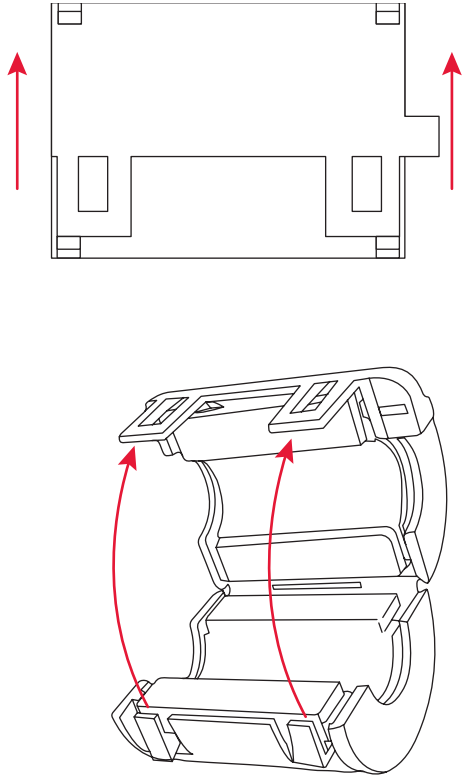
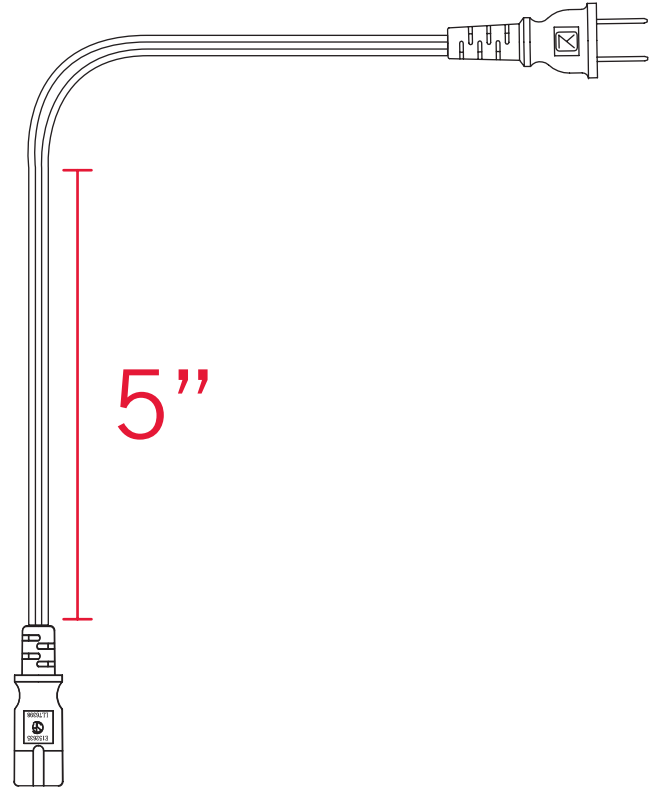


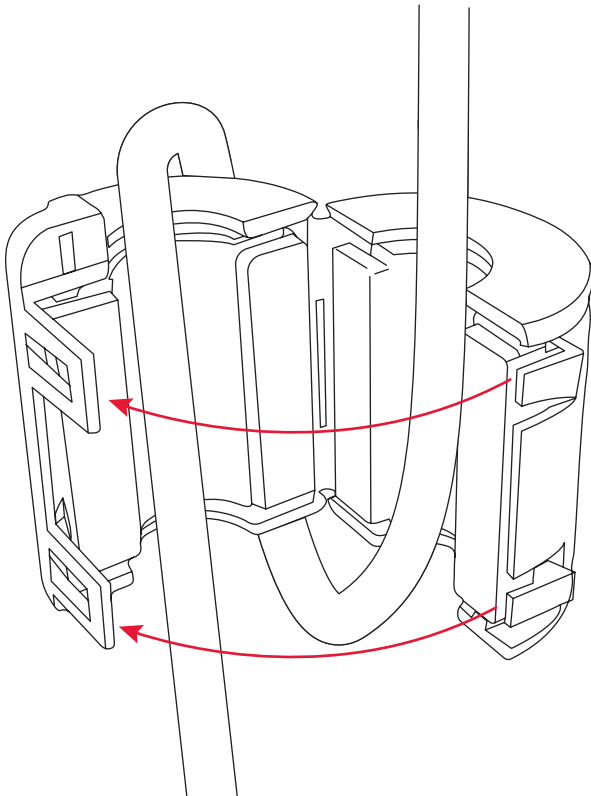
1 Open the ferrite core for the power cable.



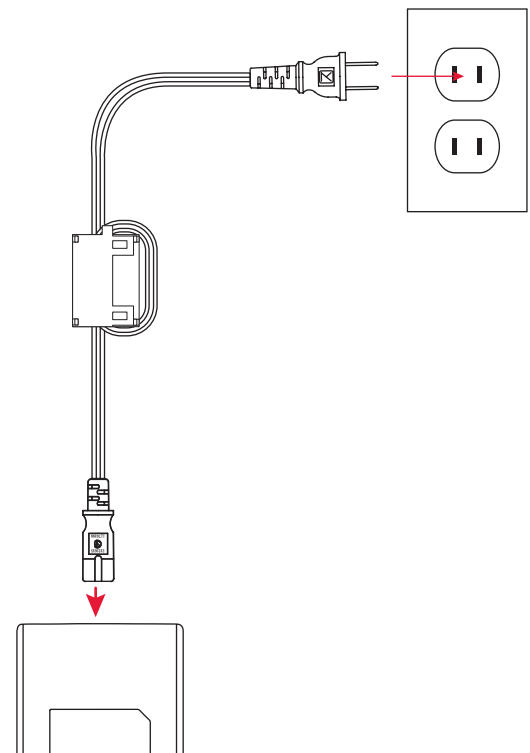
2 Place the ferrite core 5 inches from the end of the power cable.



3 Loop the power cable around the ferrite core as shown. Close the ferrite core.



4 Connect power.



The socket-outlet shall be installed near the equipment and shall be easily accessible.