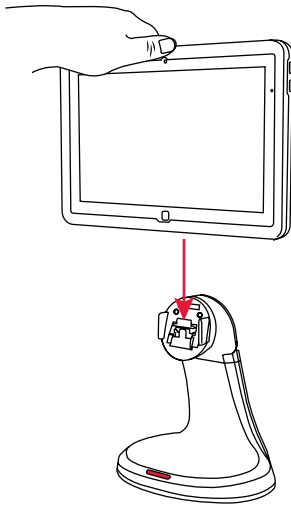
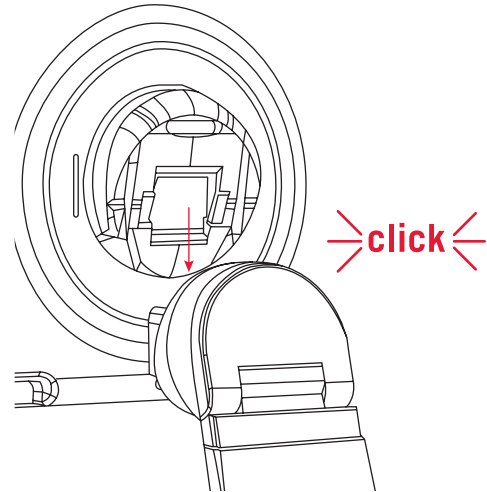


1 Center case and lower onto the base.

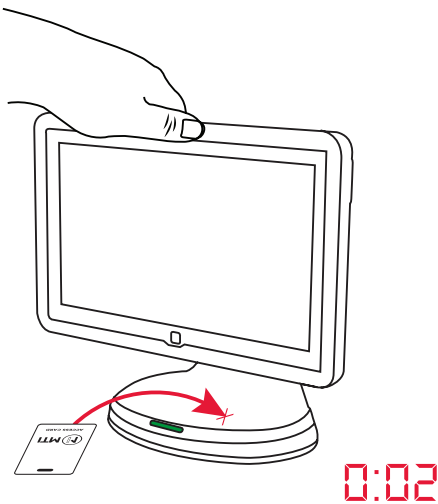


2 Lock the dovetail into place (you will hear a "Click").

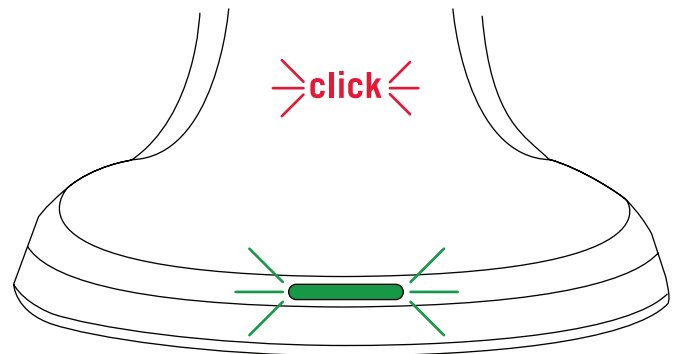


TABLET CASE REMOVAL

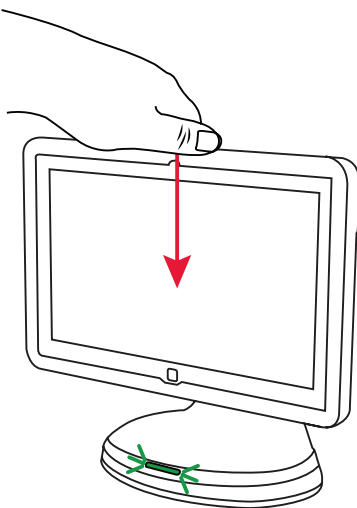
1 Place hand on top of tablet case. Place Access Card onto base.



2 Wait for the "Click" (LED will flash green).



3 Within 5 seconds after the "Click", gently press down on the tablet case...



4 ... then immediately pull up to release.

