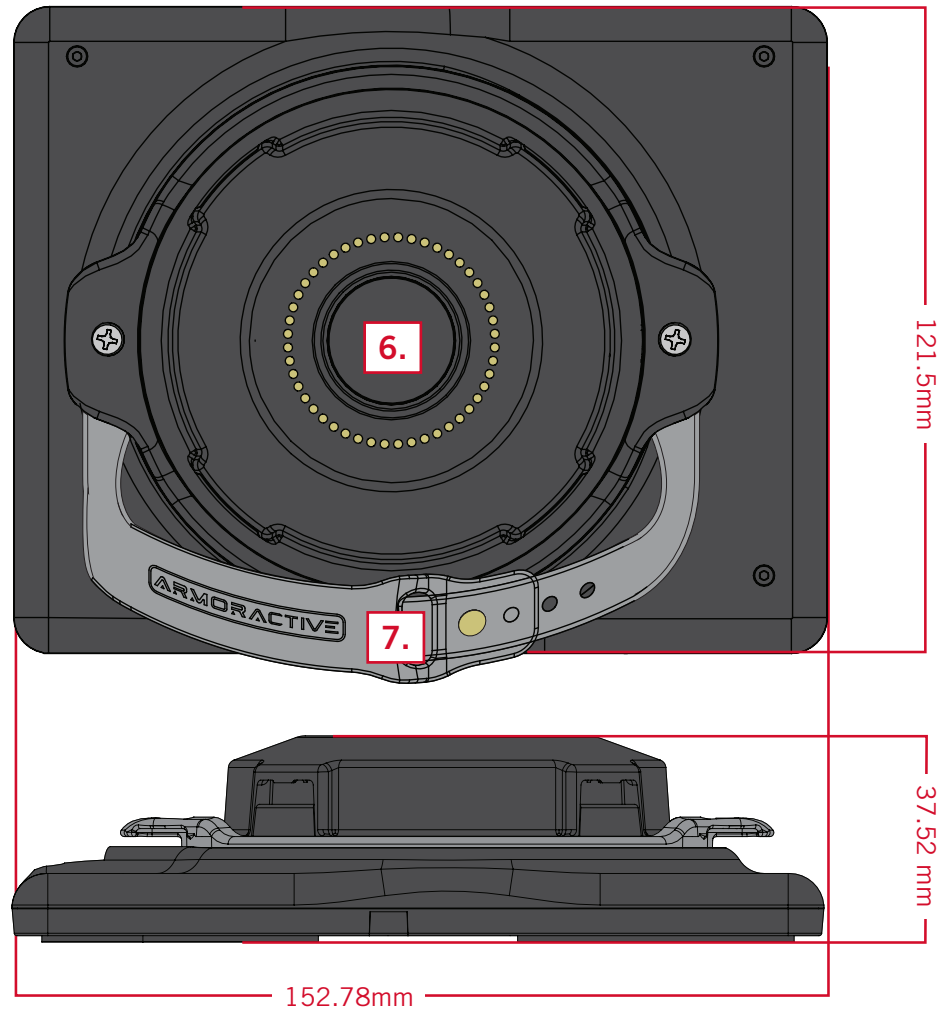
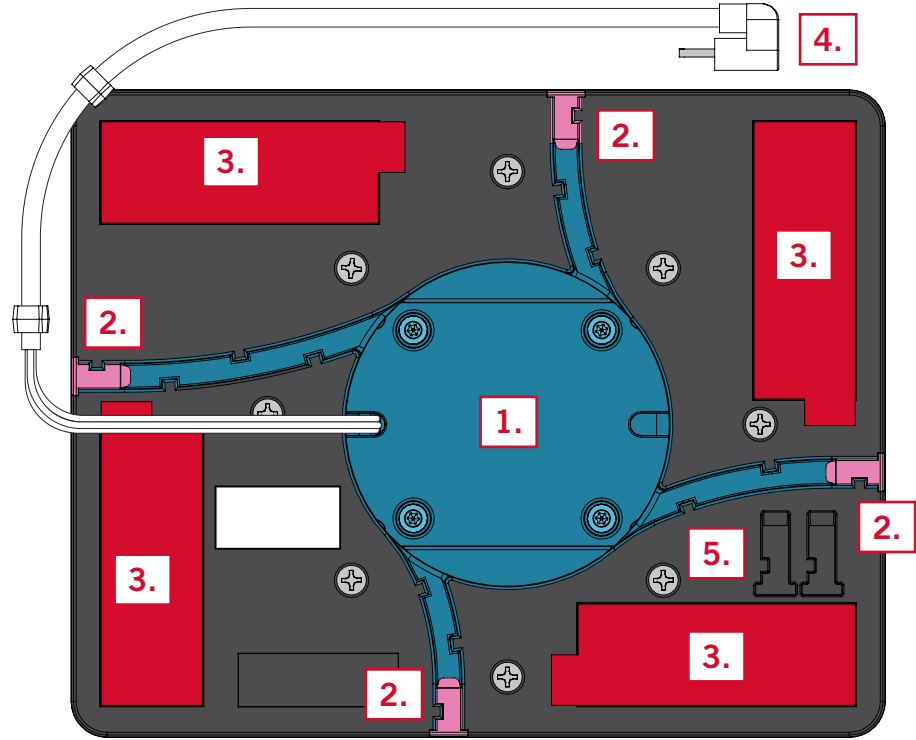
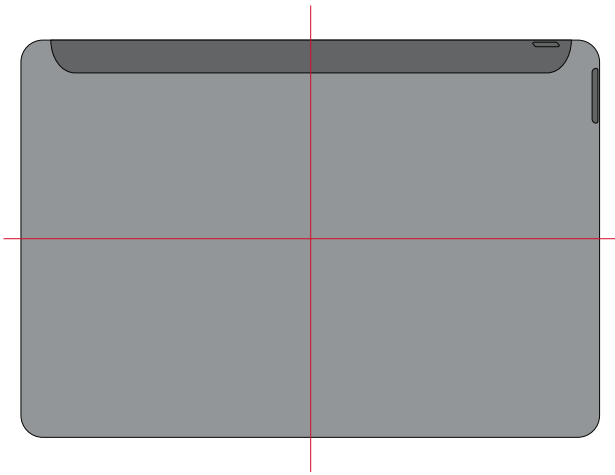


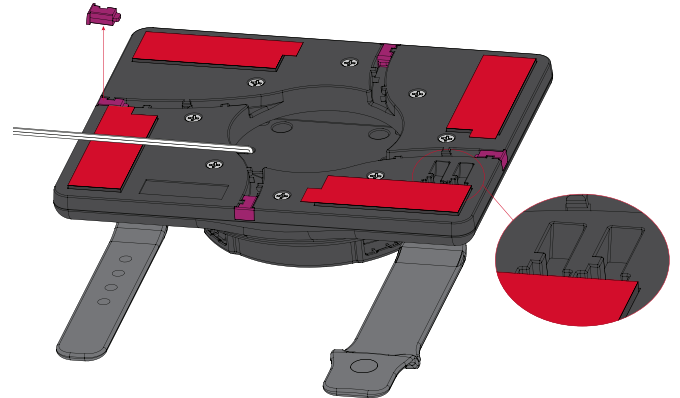
- 1. Cable Channel (colored blue)
- 2. Cable Channel Plug (colored pink)
- 3. Adhesive Foam Tape
- 4. Tablet Power Connector
- 5. Cable Channel Plug Retainer
- 6. RapidDoc Mounting Disk
- 7. Handstrap



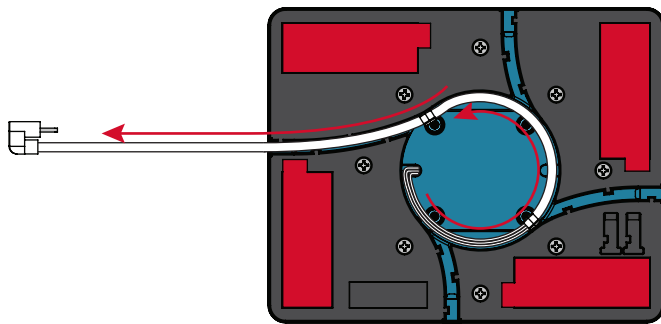
- 1** Determine where to place the EZ Back on the back of the tablet. Centering the hand strap in the middle of the tablet is recommended.



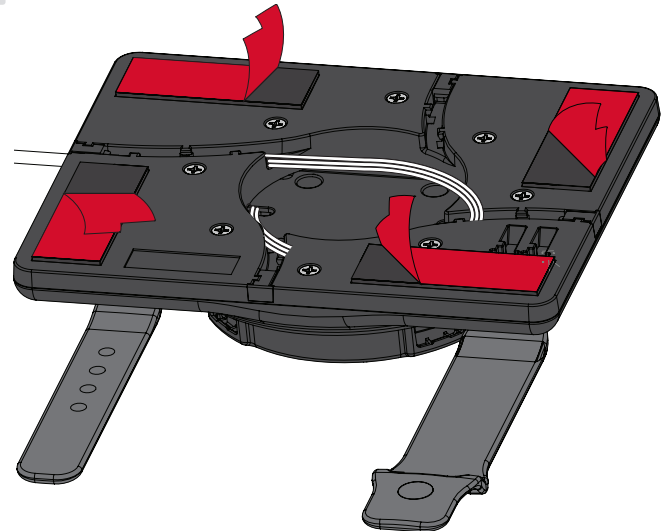
- 2** Determine which cable channel best routes the power cable to the tablet's power port, and remove the plug (colored pink) at the end of the channel.



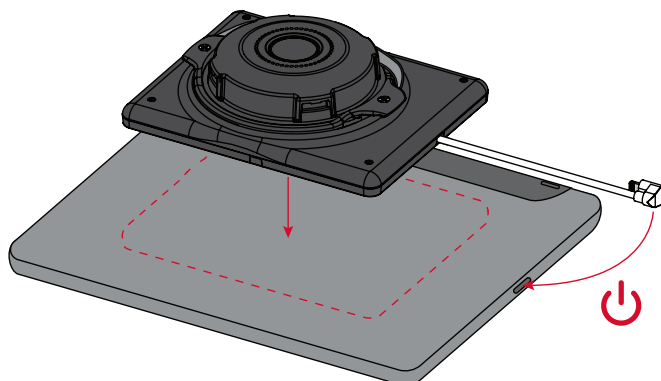
- 3** Route the cable through the cable channel, starting counter-clockwise in the center cable channel.



- 4** Peel the red film off of the adhesive tape on the EZ Back.



- 5** Place the EZ Back on the back of the tablet. Then, plug in the power connector while pushing the extra cable into the EZ back.



- 6** For full adhesion, use a rubber band to hold the EZ Back in place for 24 hours before using.

