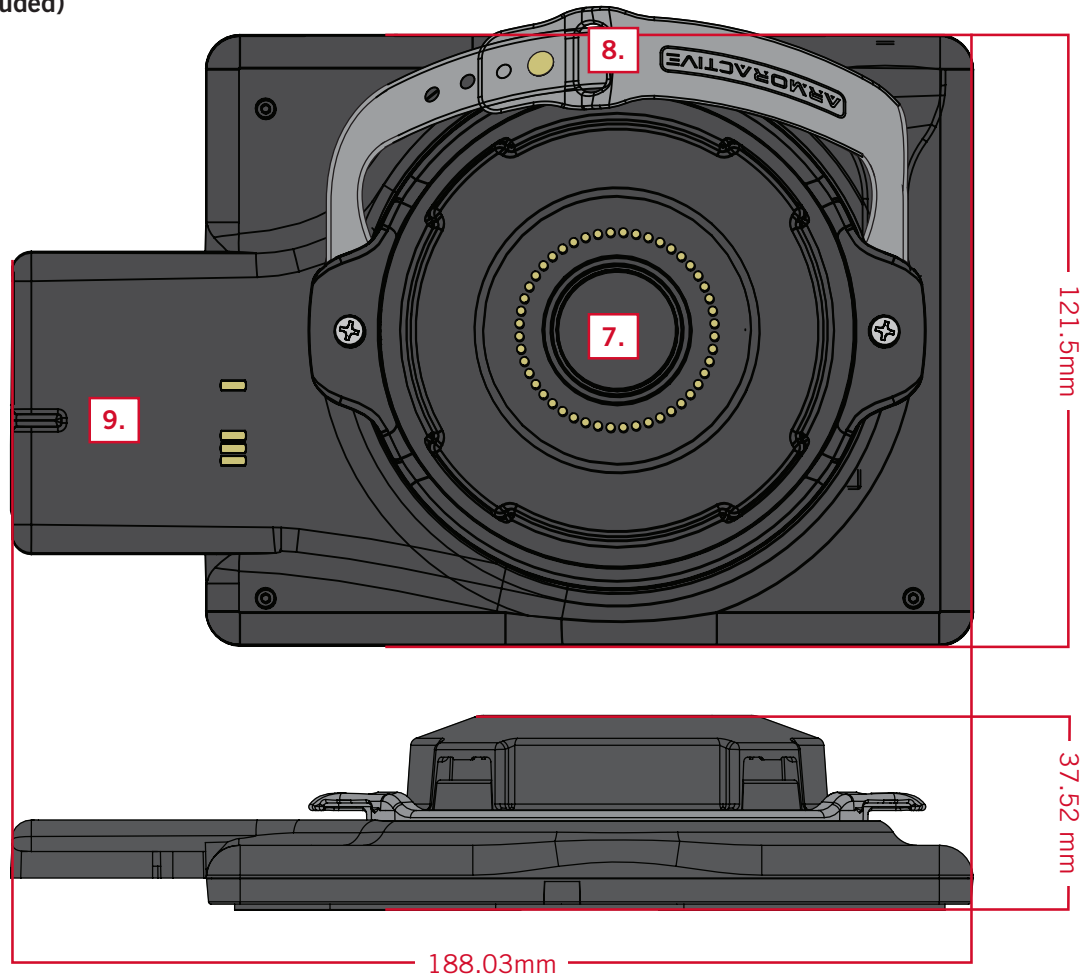
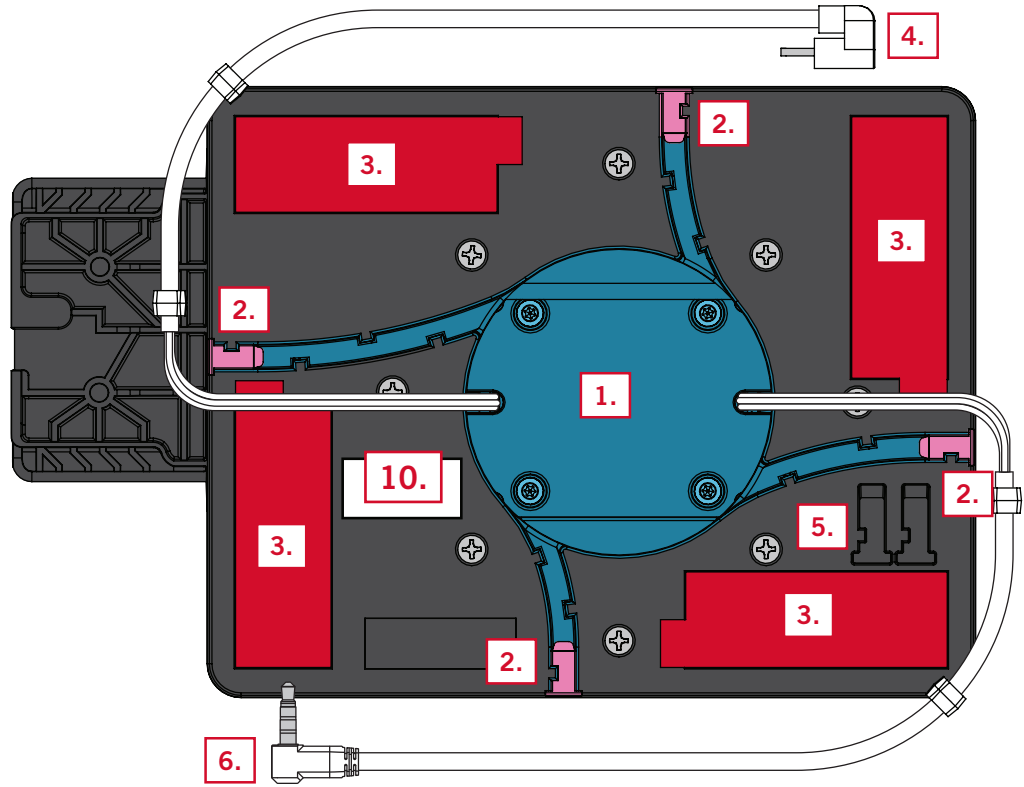
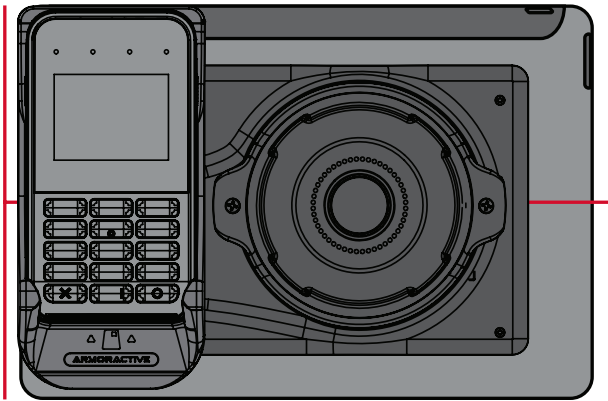


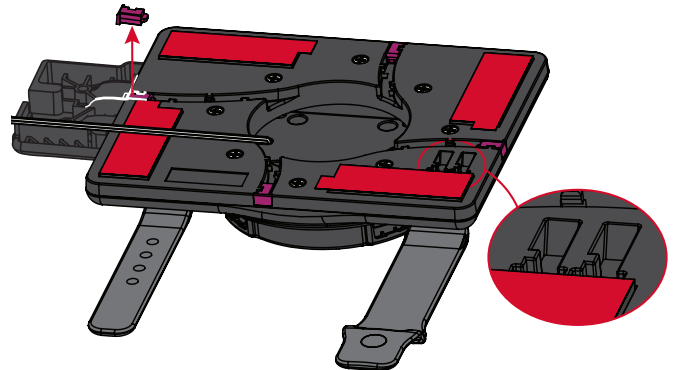
- 1. Cable Channel (colored blue)
- 2. Cable Channel Plug (colored pink)
- 3. Adhesive Foam Tape
- 4. Tablet Power Connector
- 5. Cable Channel Plug Retainer
- 6. Tablet Audio Plug (if included)
- 7. RapidDoc Mounting Disk
- 8. Handstrap
- 9. Accessory Dock
- 10. Rating Label Position



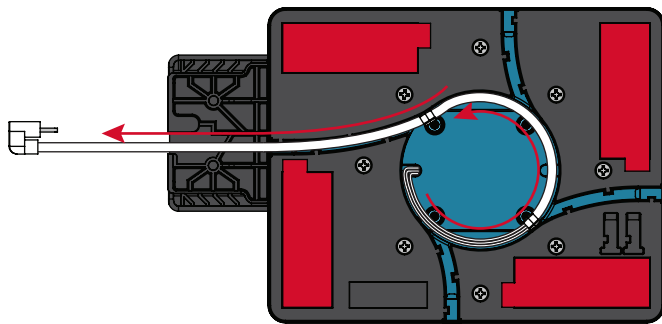
- 1** Determine where to place the EZ Back with a Cradle attached, on the back of the tablet. The cradle should be even with the top and side of the tablet. On smaller tablets, center the RapidDoc Mounting Disk on the tablet.



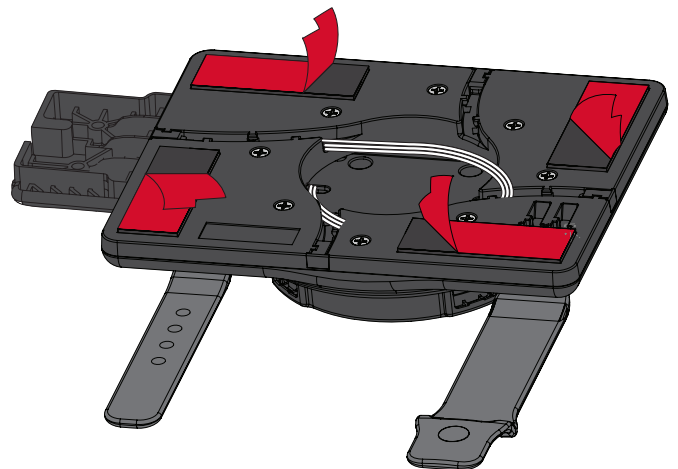
- 2** Determine which cable channel best routes the power cable to the tablet's power port, and remove the plug (colored pink) at the end of the channel.



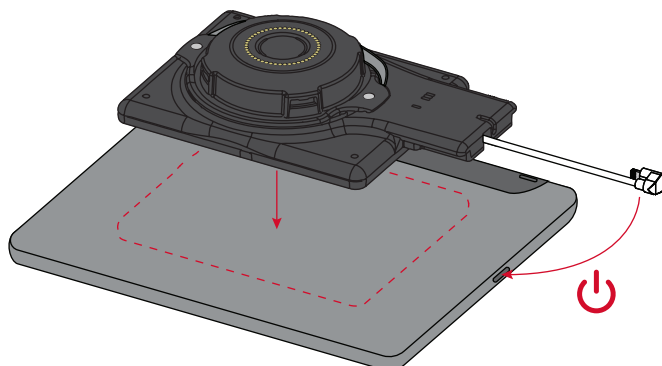
- 3** Route the cable(s) through the cable channel, starting counter-clockwise in the center cable channel.



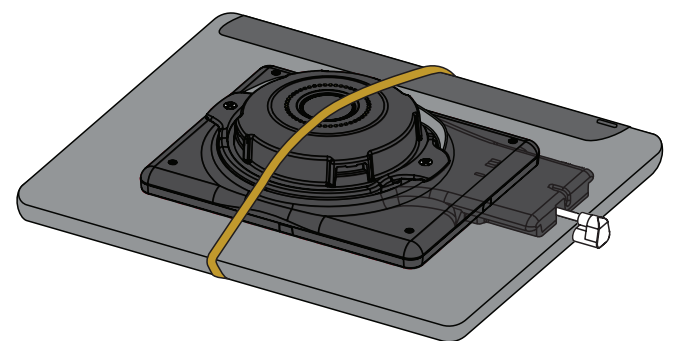
- 4** Peel the red film off of the adhesive tape on the EZ Back.



- 5** Place the EZ Back on the back of the tablet. Then, plug in the power connector while pushing the extra cable into the EZ back.



- 6** For full adhesion, use a rubber band to hold the EZ Back in place for 24 hours before using.



Operating temperature: 0° C to 40° C.