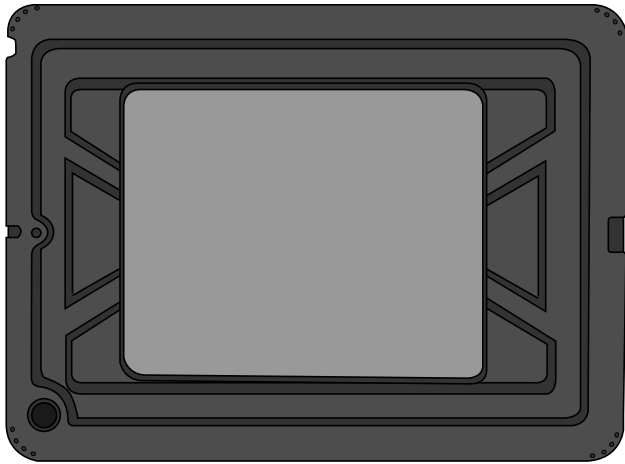
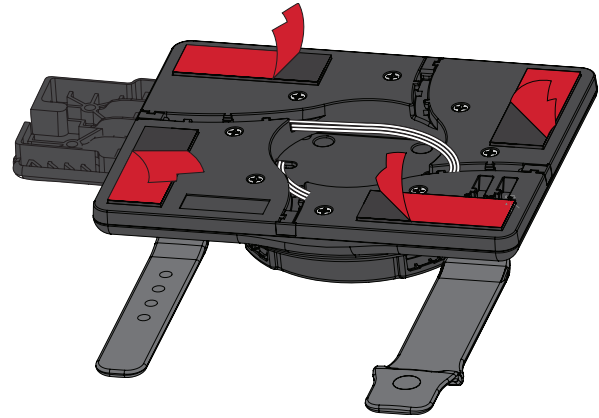


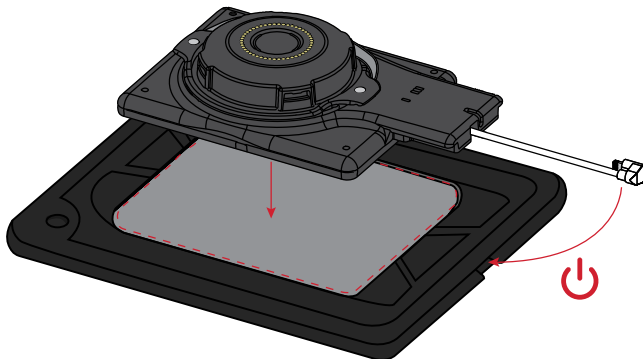
**1** Place the tablet into the TPU case. The hole on the back is for EZ Back™ placement.




**2** Peel the backing off of the adhesive on the EZ Back. Remove the blue tape holding the cables inside and make sure the cables are safely tucked into the center hole.



**3** Place the EZ Back™ into the hole on the back of the TPU case with the power cable on the same side as the power port of the tablet. Connect the power to the tablet.

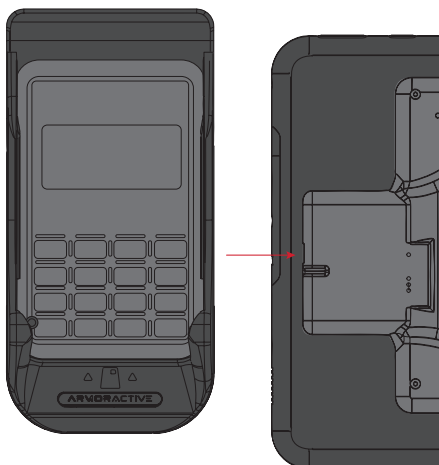


 **NOTE:** Apple tablets also have an audio cable for Software Undock.

**4** Press down firmly for 30 seconds to 1 minute to ensure the VHB is properly bonded to the tablet.



**5** **OPTIONAL:** Slide an EMV Accessory cradle onto the accessory dock on the EZ Back™.



**6** Dock the tablet onto the corresponding RapidDoc™ mount.

