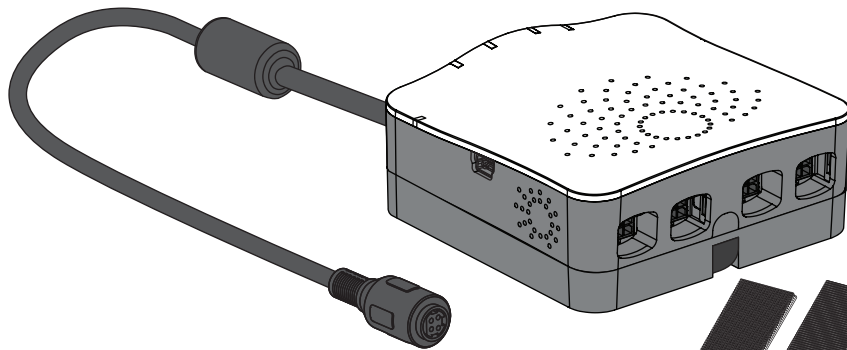


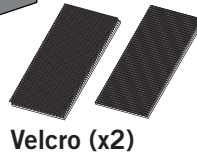
APPLE WATCH SECURITY - PARTS REQUIRED



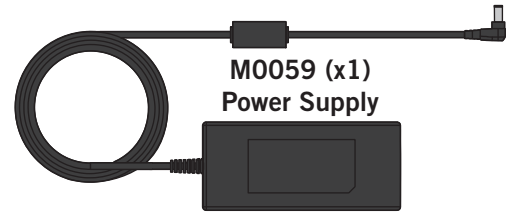
M0025



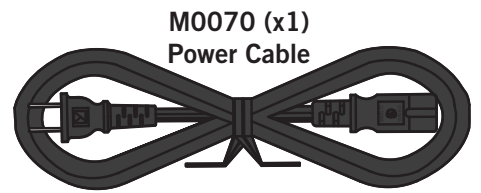
(x1)
White Core II Alarm Module
with Power Booster



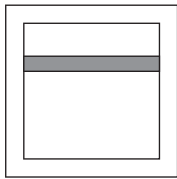
Velcro (x2)



M0059 (x1)
Power Supply

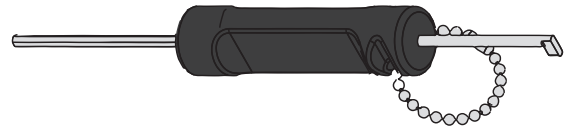


M0070 (x1)
Power Cable

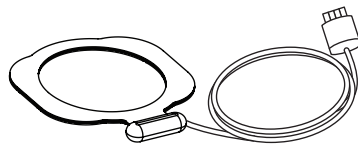


M0056 (x1)
Alcohol Wipe

M0057 (x1)
Double-Sided System Tool



CHOOSE
ONE

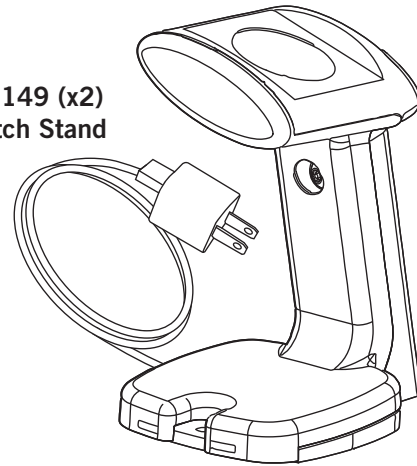


M0431 (x2)
Disposable Watch Sensor, White



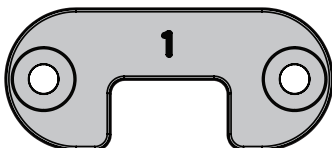
M0428 (x2)
Disposable Watch Sensor, Black

M0149 (x2)
Watch Stand



M0001 - Watch Stand Track Adapter Kit (Merchandises 1 Watch Stand)

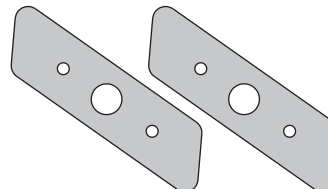
Spacer Adapter 1 (x1)



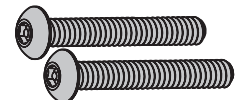
Spacer Screws (x2)



Track Mounting Tabs (x2)



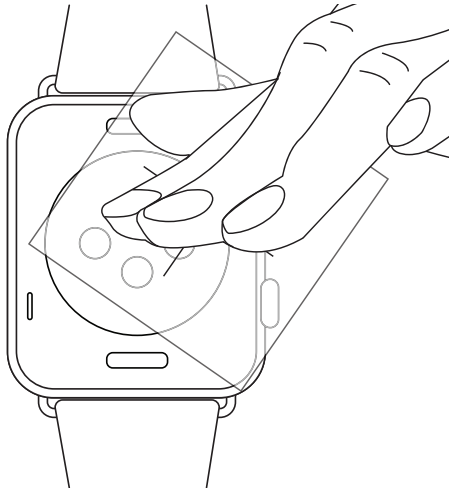
Mounting Tab
Screws Long (x2)



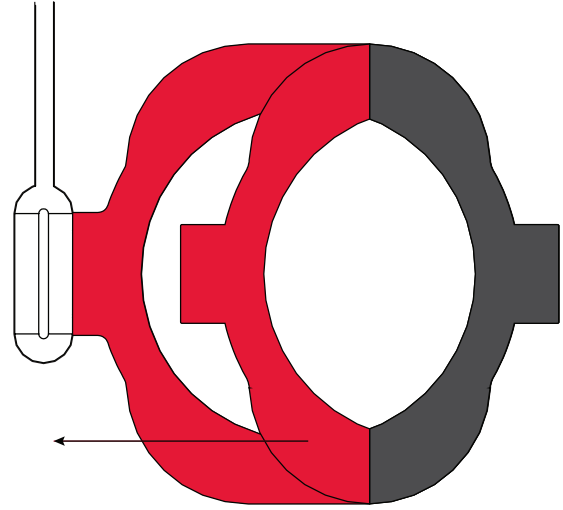
DISPOSABLE WATCH SENSOR



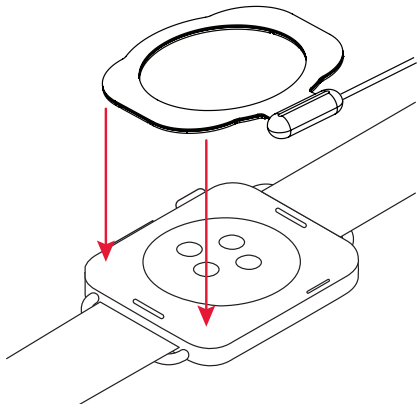
1 Clean the device with an alcohol wipe and let dry.



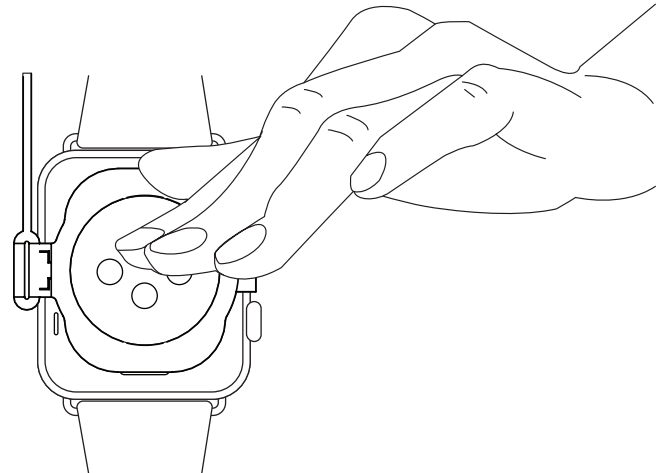
2 Peel VHB on the watch sensor.



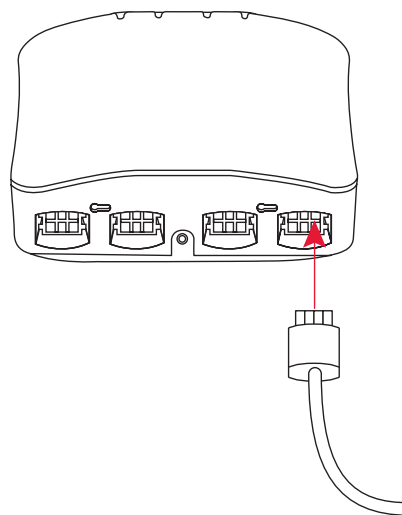
3 Place on the back of the device with the wire pointing off of the top of the device.



4 Press down for 10 seconds. Refer to AT&T merchandising guidelines for final fixture integration.



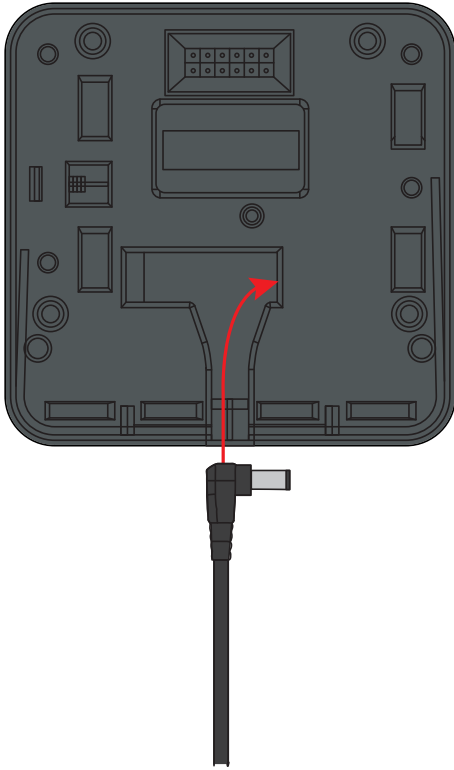
5 If using Freedom Core II™ insert the 6-pin Molex end of the sensor into the Freedom Core II™ Alarm Module until it clicks.



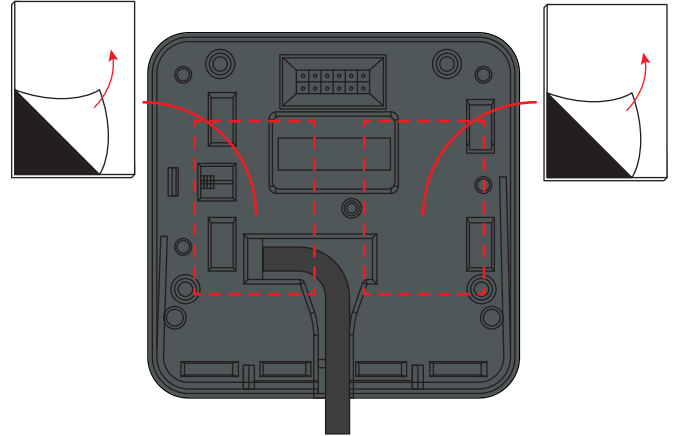
INSTALLING CORE II ALARM MODULE



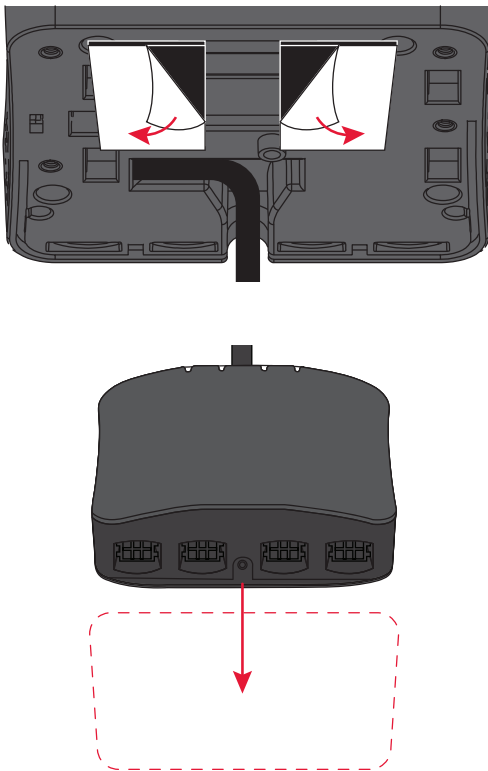
- 1** Connect power to the Alarm Module with the Double-Sided System Tool.



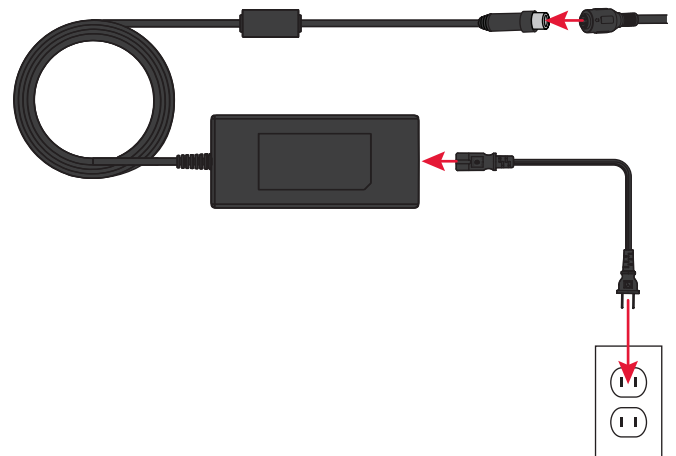
- 2** Remove backing of Velcro and attach to Alarm Module.



- 3** Remove backing from other side of Velcro. Place Alarm Module in the desired location.



- 4** Connect the power supply and plug it into the nearest outlet.

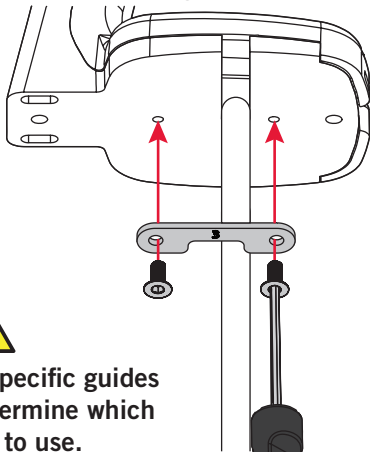


The socket-outlet shall be installed near the equipment and shall be easily accessible.

INSTALLING WATCH STAND

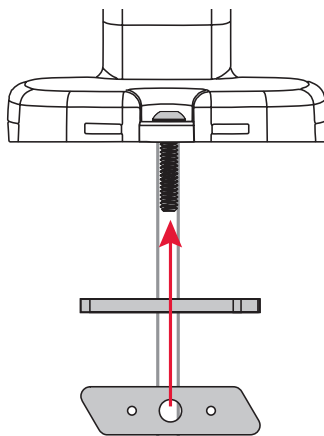


- 1** Attach the appropriate Spacer Adapter with the spacer screws using the Double-Sided System Tool. Make sure that the spacer number is facing down.

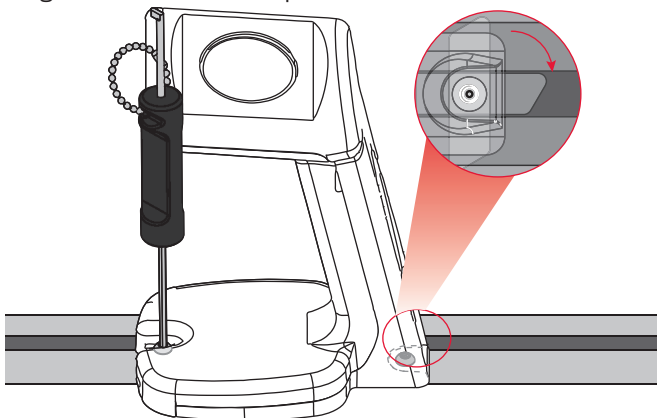


View the track specific guides for Micro to determine which hardware to use.

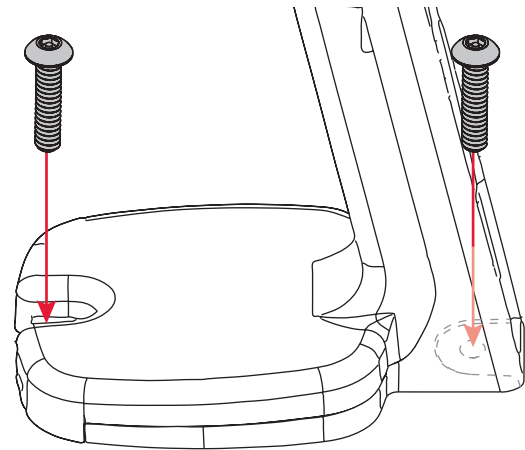
- 3** Rotate the mounting tabs onto the mounting screws until flush with bottom of screw. Make sure the DOTTED side of the mounting tabs is facing DOWN.



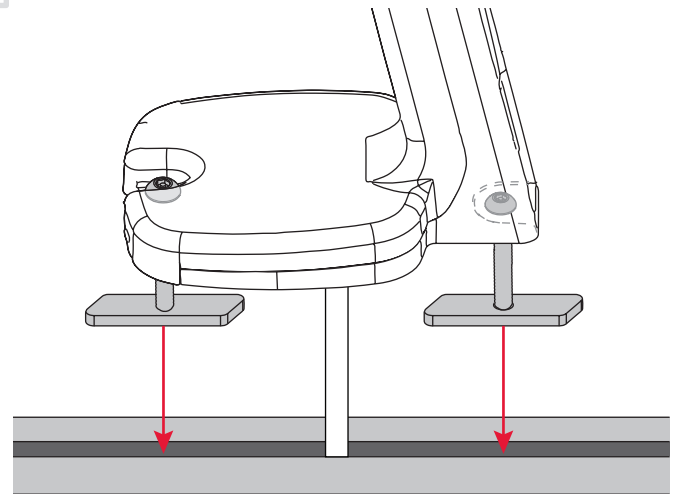
- 5** Hold the position steady with one hand. With your other hand use the Double-Sided System Tool to turn the screws to move the mounting tabs into position. Tighten screws to lock position to the fixture.



- 2** Insert the Mounting Tab Screws into the holes on either side of the watch stand base.



- 4** Align the mounting tabs and press them into the track.



- 6** Plug in OEM charger to OEM power supply. OEM cable will be routed through base. Place secured watch on watch stand.

