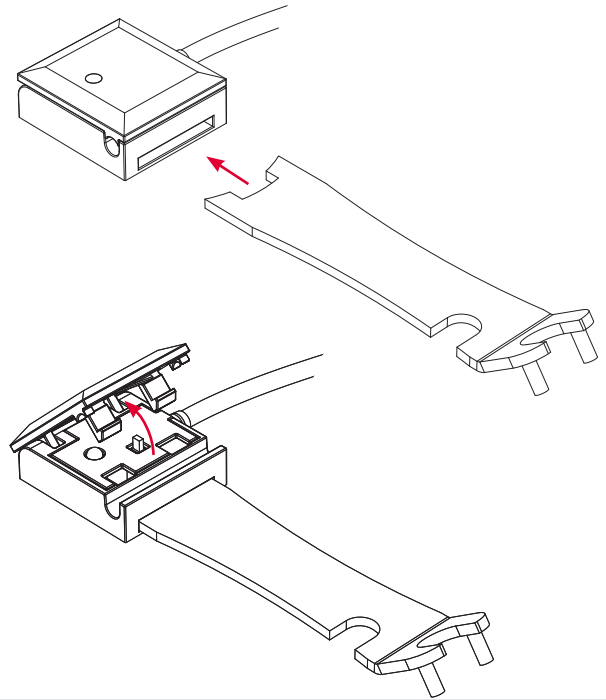
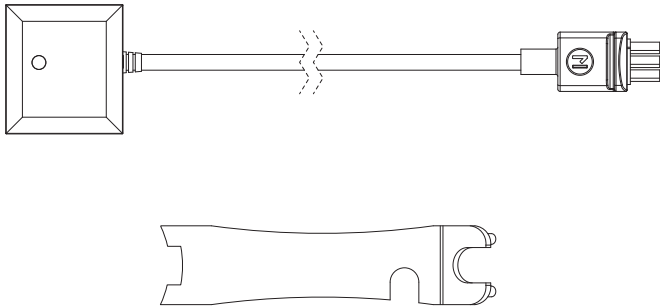
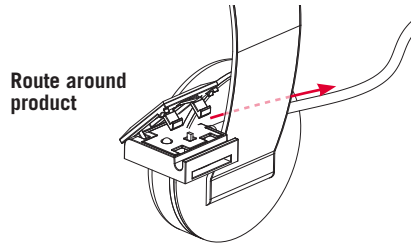


1 Insert tool into cable housing and push firmly. This will allow cover to open.

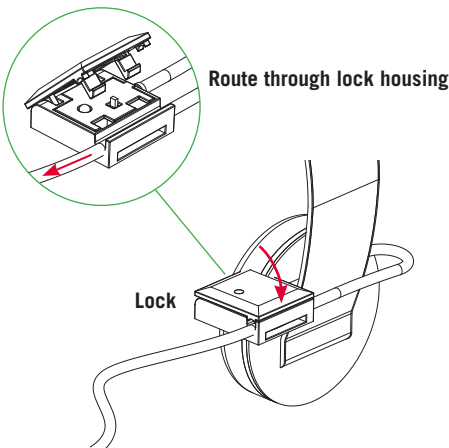


2

Route Loop Sensor cable around product, and back through housing. Close housing top to lock



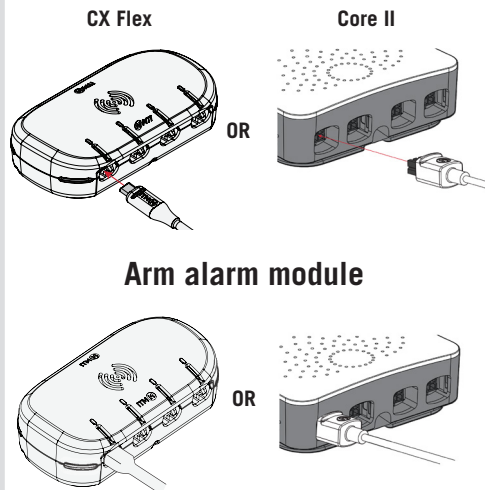
Route around product



Route through lock housing

Lock

3 Insert cable into alarm module



CX Flex

Core II

Arm alarm module

Ensure housing cover is locked

