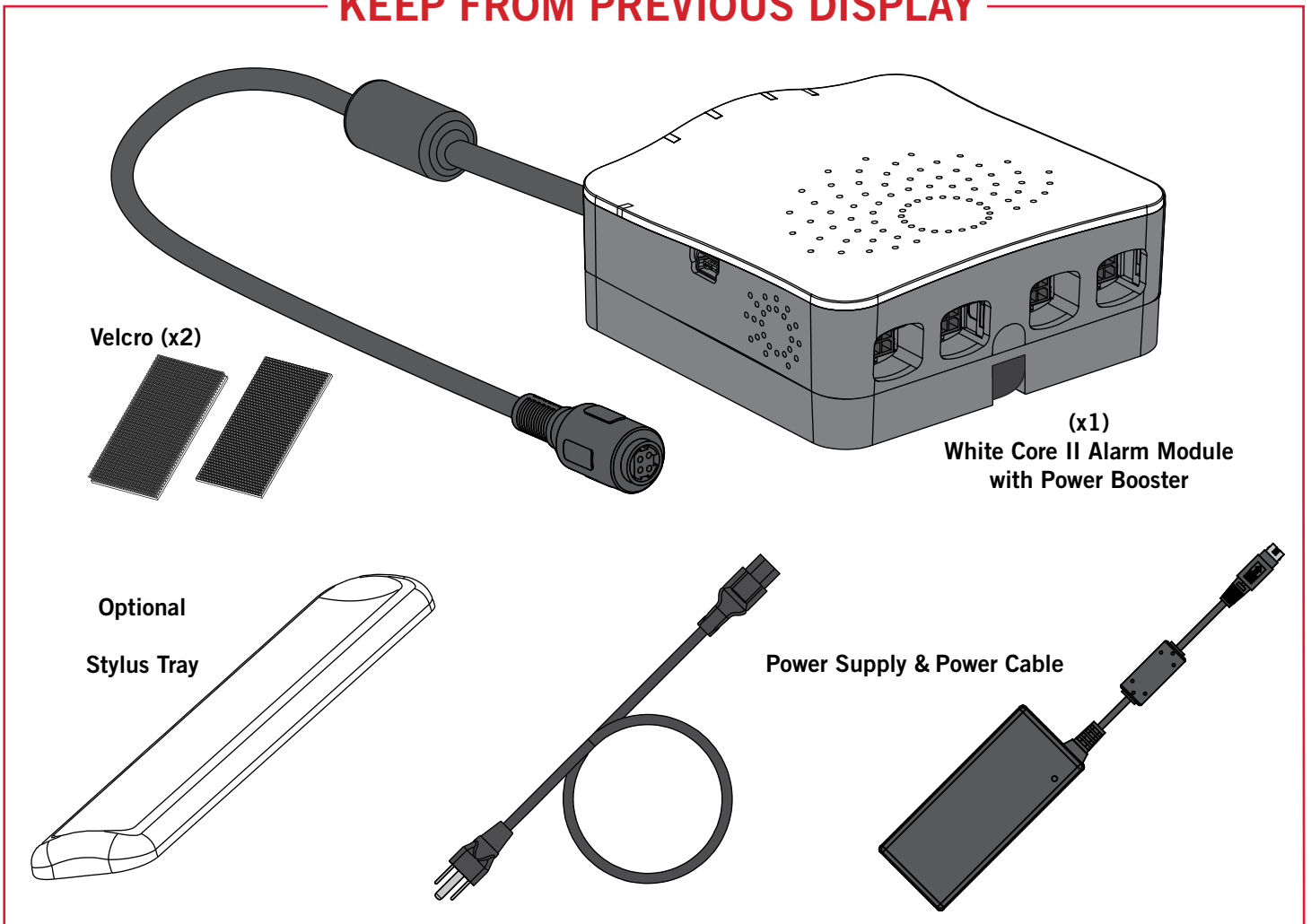
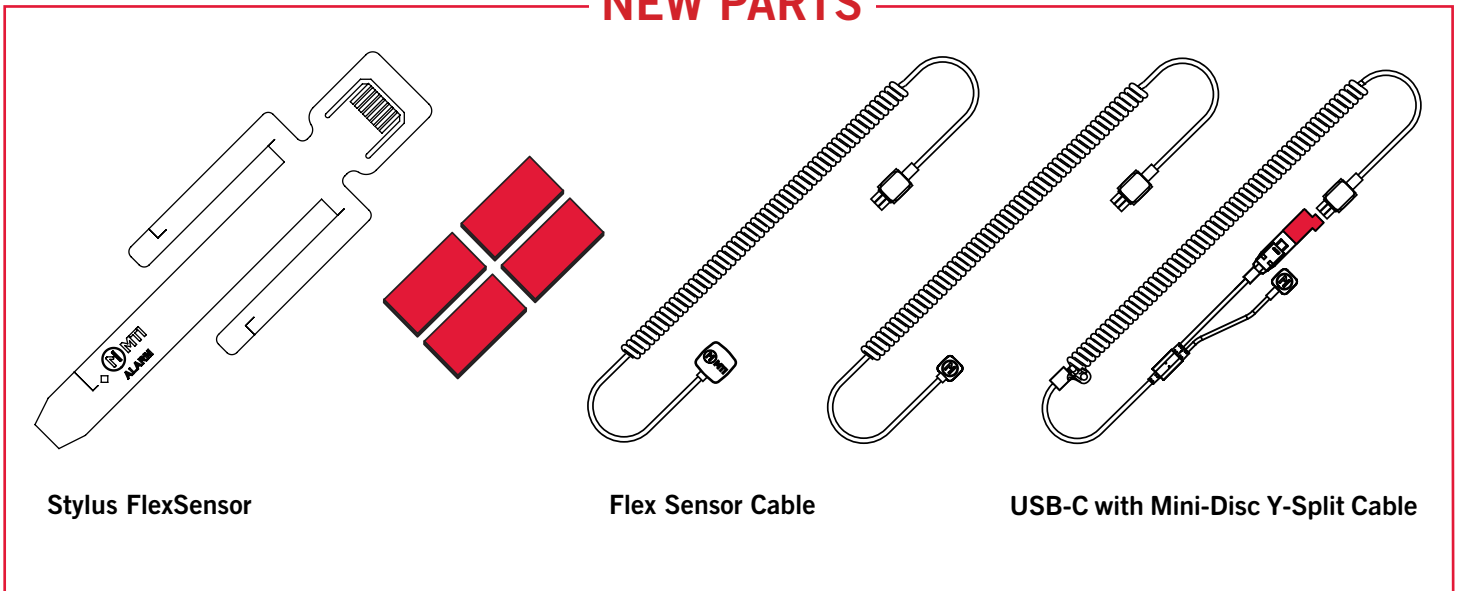


CORE II SECURITY FOR IPAD w/PENCIL AND MAGIC KEYBOARD

KEEP FROM PREVIOUS DISPLAY

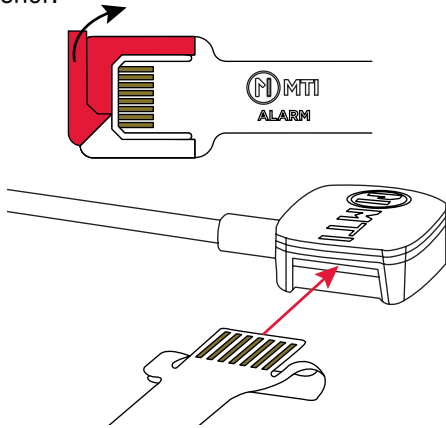


NEW PARTS

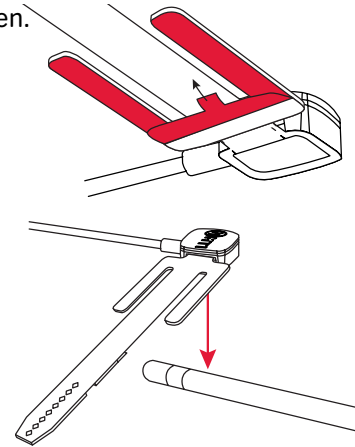


STYLUS PENCIL SECURITY INSTALLATION

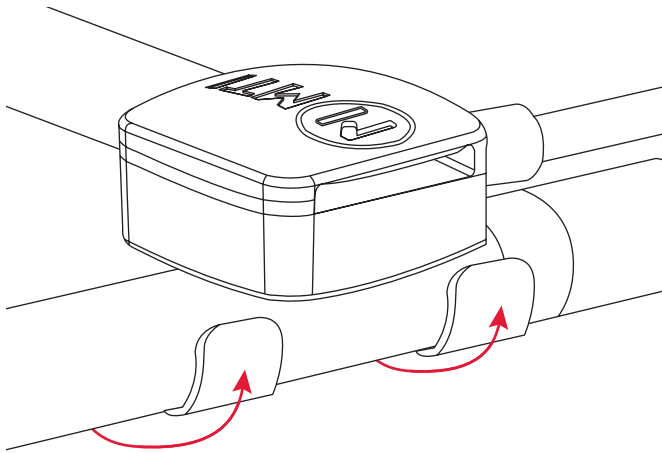
1 Remove FlexSensor adhesive film and completely insert the connector end into the FlexTech cable. Press on the VHB Security Tab to fully adhere it to the underside of the anchor.



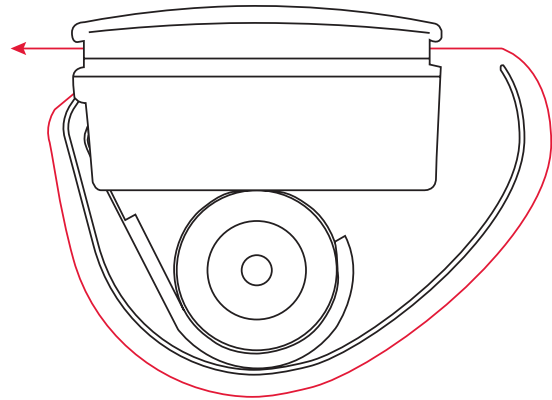
2 Align cable to the stylus pen with the sensor on the curved part of the pen, leaving the flat side available to mount to the iPad. Remove VHB backing from FlexSensor and place on the stylus pen.



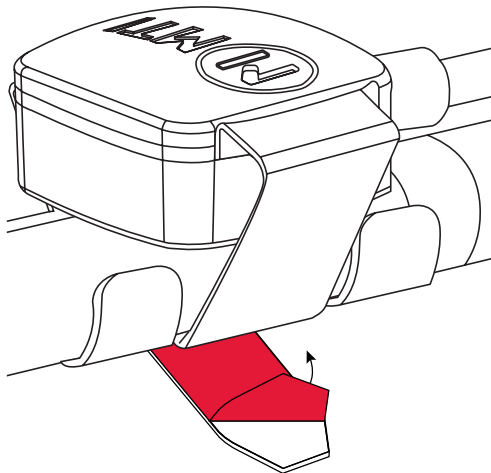
3 Wrap adhesive FlexSensor around the stylus pen.



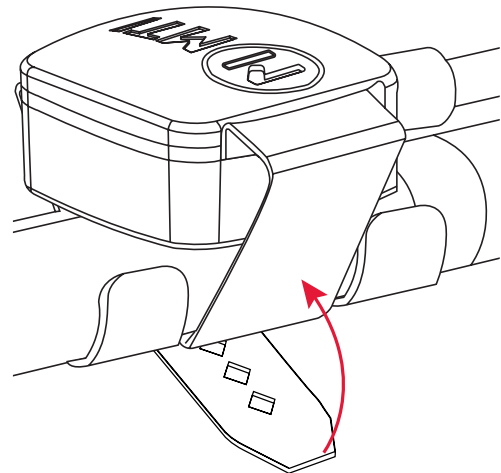
4 Feed FlexSensor through the top of the FlexTech cable and continue to wrap around stylus pen.



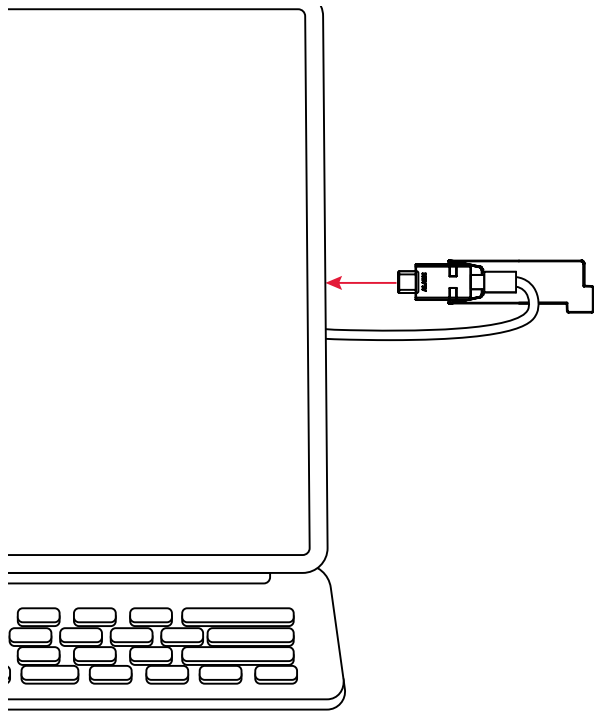
5 Tighten FlexSensor, then peel VHB and the end of the FlexSensor and adhere to underside of anchor.



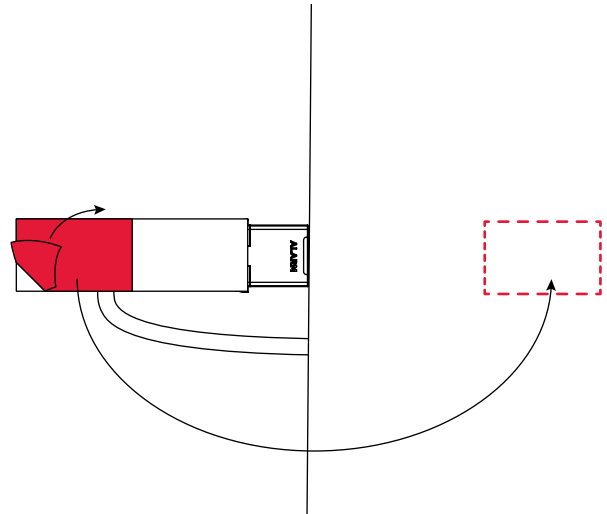
6 There may be some excess FlexSensor at the end.



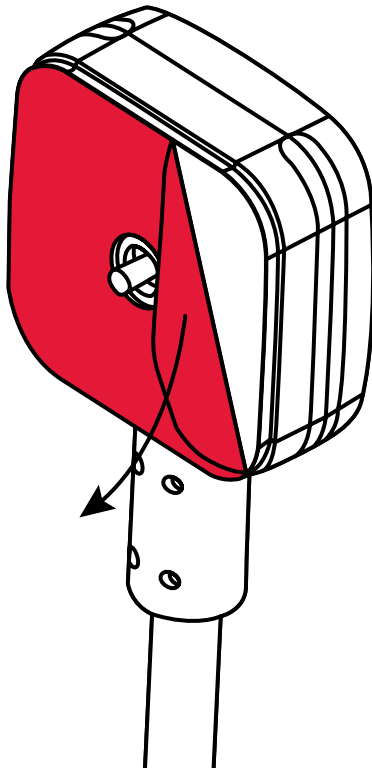
1 Plug USB-C connector to iPad



2 Attach VHB cable retainer to back of iPad/Keyboard.



3 Peel Red liner from Mini Disc sensor



4 Attach Mini Disc sensor to keyboard; apply pressure for 10s.



00:00:10

FINISHED INSTALLATION

