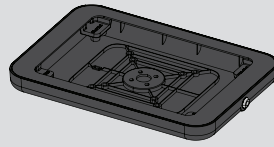


NOTES BEFORE INSTALLING: Do not to overtighten screws. Using excessive force when tightening screws can damage the threads on devices and products and damage product.



Back of Case with Enterprise Interface, RapidDoc Interface, or VESA Adapter



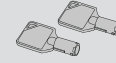
Enclosure



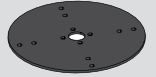
Mounting Screws



Rubber Inserts

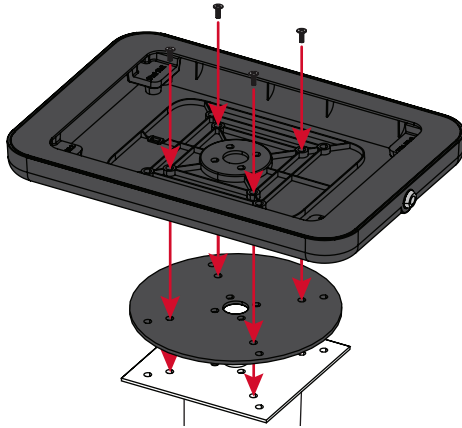


Keys

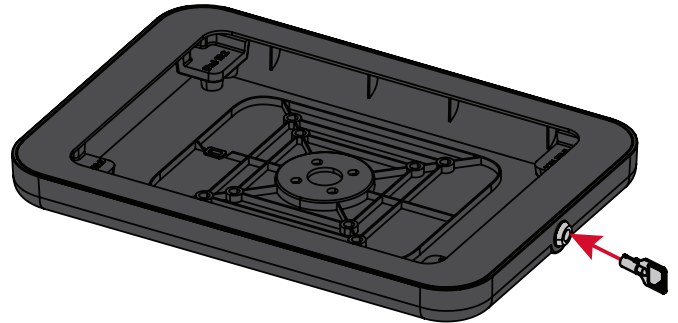


Filler Plate

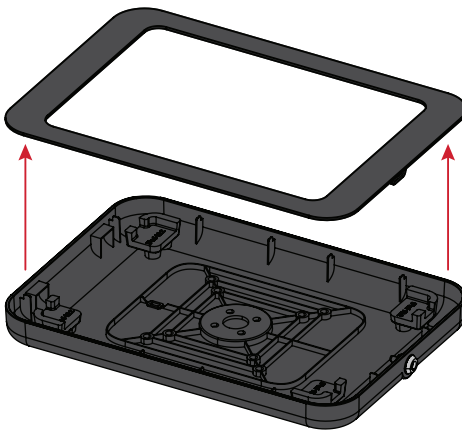
1



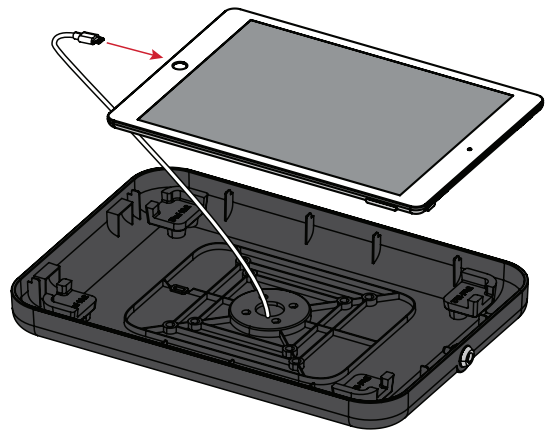
2



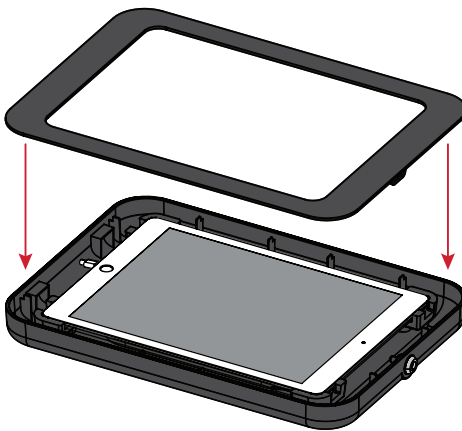
3



4



5



6

