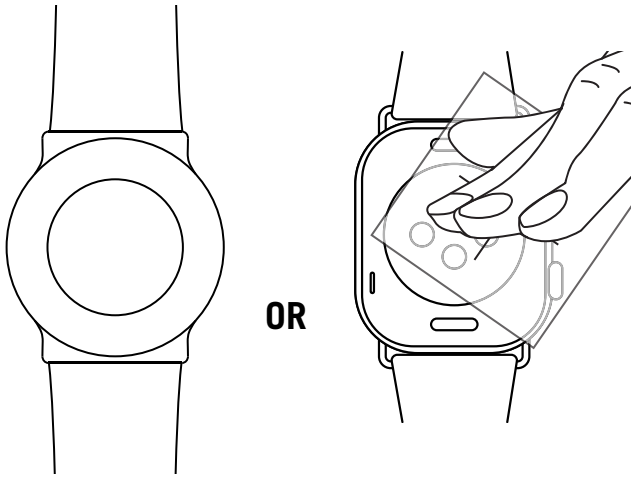
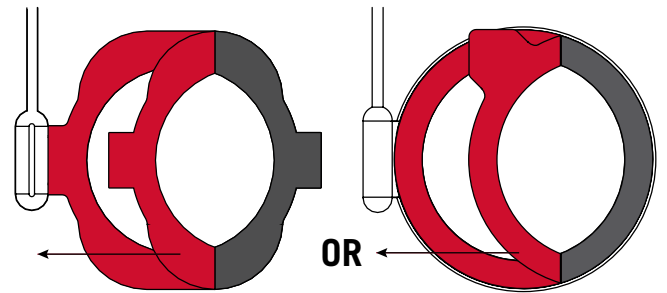


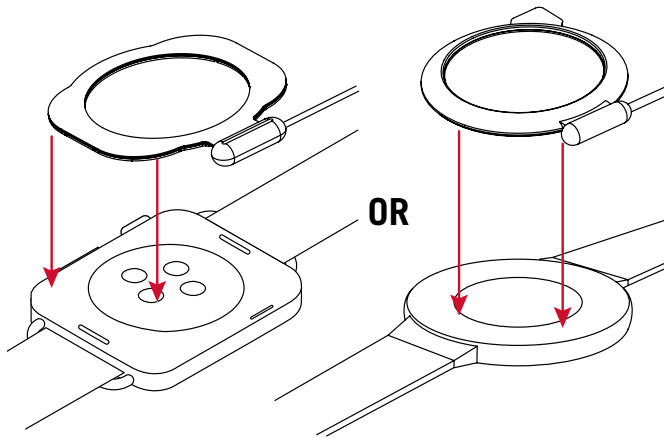
- 1** Clean the device with an alcohol wipe and let dry. Devices may be different form factors; the merchandising process is the same



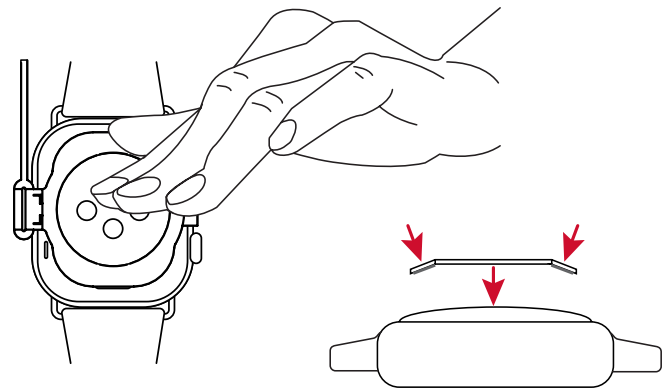
- 2** Peel VHB on the watch sensor.



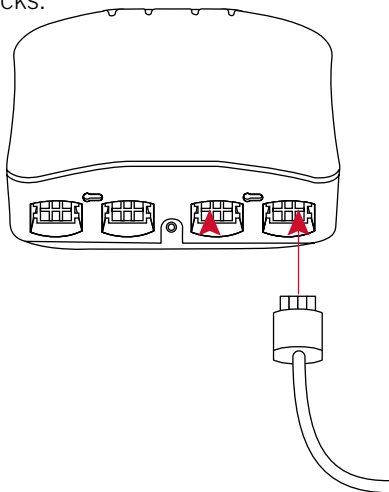
- 3** Place on the back of the device with the wire pointing off of the top of the device.



- 4** Press down for 10 seconds. Apply pressure to all areas of adhesive. Devices with curved surfaces will require extra pressure.



- 5** If using Freedom Core II™ insert the 6-pin Molex end of the sensor into the Freedom Core II™ Alarm Module until it clicks.



- 5a** If using CX Flex™ insert the USB-C end of the sensor into the CX Flex™ until it clicks.

