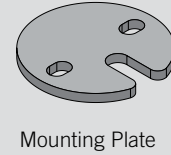
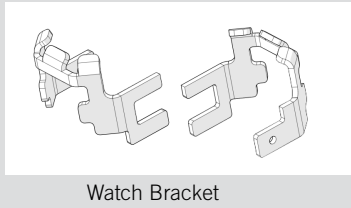
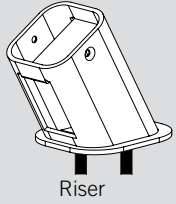
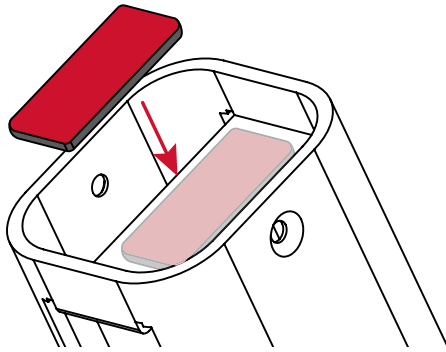


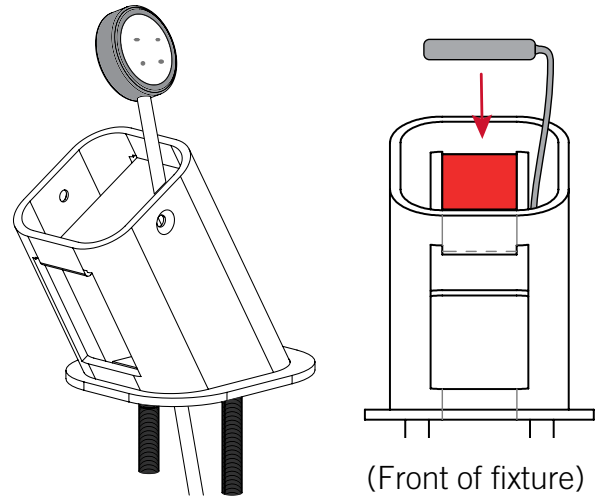
**NOTES BEFORE INSTALLING:** Do not overtighten screws. Overtightening screws may damage the threads on devices and Freedom products. Disable alarm before installation and enable alarm after installation is complete.



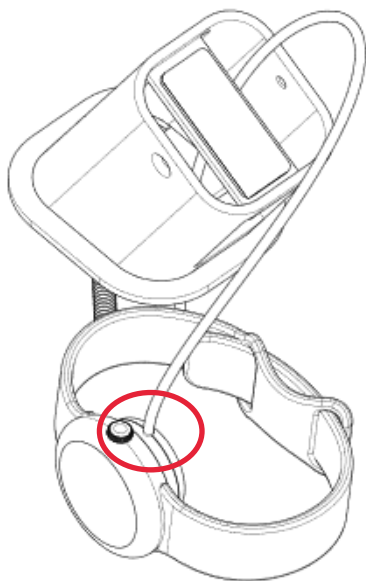
**1** Apply VHB to stand. Do not peel red liner from VHB; charger should be able to move freely. If using a slot adapter plate, use the 4 provided screws to attach the slot adapter plate to the bottom of the stand.



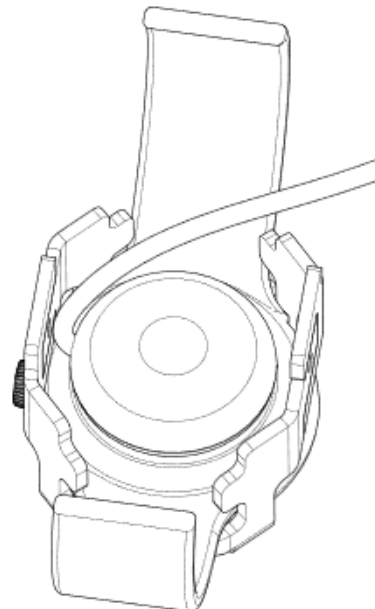
**2** Insert charger into stand. Wires from charger must exit to the right and down into the post. (Facing fixture)



**3** Connect charging cable in correct orientation to watch. The crown and charging cable must be aligned.

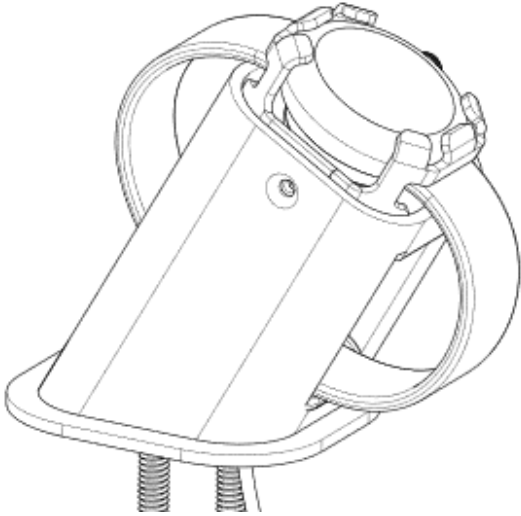


**4** Install watch brackets. They will interlock with each other. Route the cable upwards, keeping it between the 2 brackets.



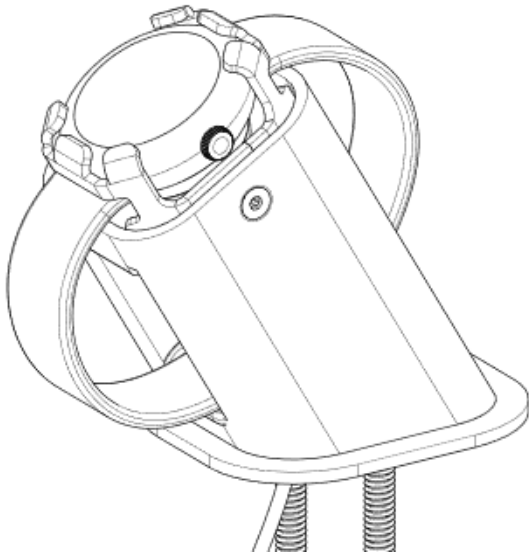
Use optional rubber strips (included with the bracket kit) as needed to help prevent the watch from moving when secured in the bracket.

- 5** Install bracketed watch onto the stand and use the MTI tool to fasten the left-side screw.

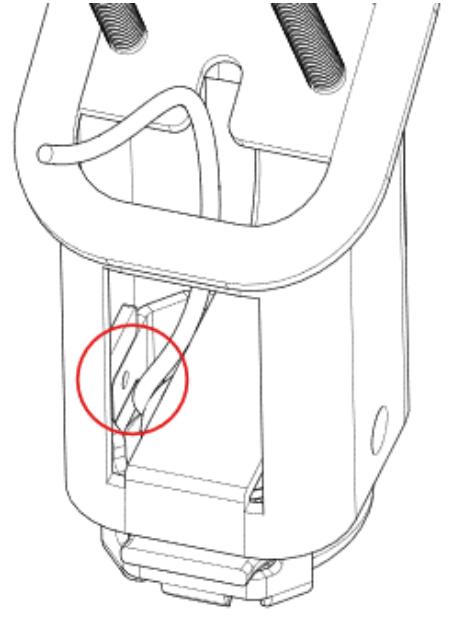


When tightening screws, ensure they do not pinch charger wires as this may damage the charger.

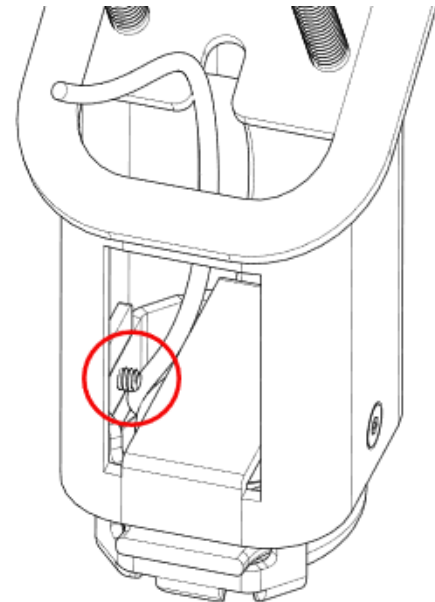
- 7** Fasten right-side screw.



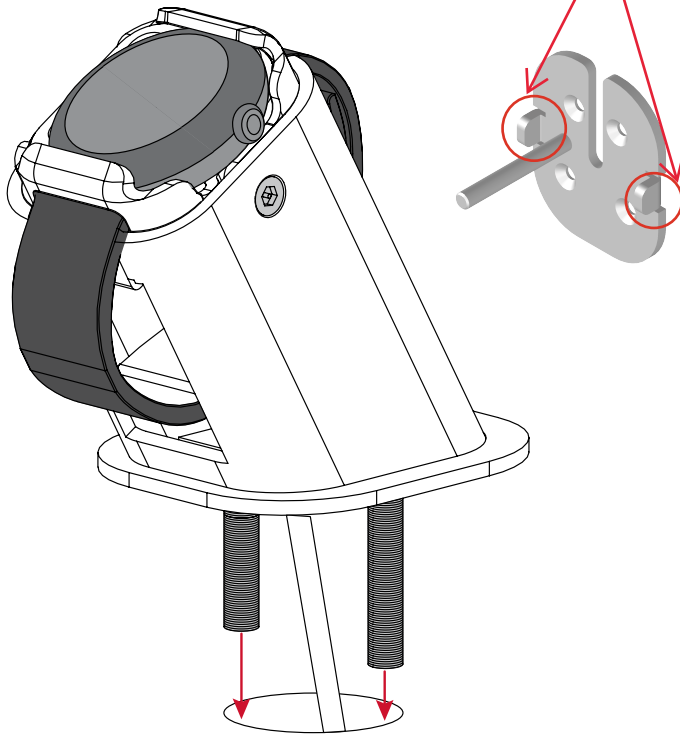
- 6** Look inside the riser and ensure cable is routed away from right-side screw hole to prevent cable damage when screw is inserted.



- 8** Quick check:  
1) Make sure right-side screw does not press or dig into the cable.  
2) Plug cable into charging port to confirm charging connection is secure and working.



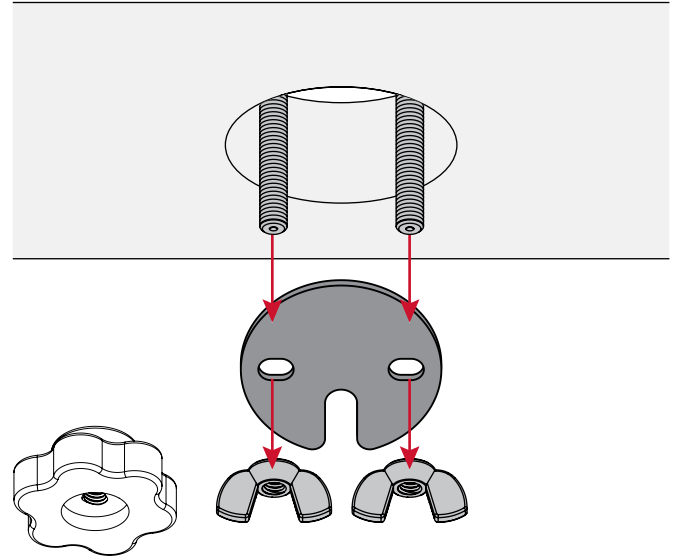
**9** Insert charger wire and mounting studs through hole or slot in fixture. For a slot fixture, align the tabs on the slot adapter plate into the slot.



**Mounting methods may vary depending on fixture configuration. Dual stud kit shown on main image.**

**10** Slide backing plate onto stud(s) on underside of fixture surface and attach wing nuts or screw knob. Tighten until snug.

(Front of fixture)



**11** Insert Charger cord into power brick, and plug into wall outlet. Confirm that the watch is charging. If it is not, check alignment of watch on charger and retry installation if necessary.

