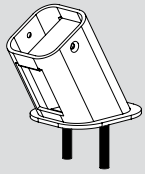
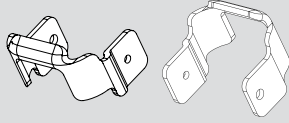
 **NOTES BEFORE INSTALLING:** Do not overtighten screws. Overtightening screws may damage the threads on devices and Freedom products. Disable alarm before installation and enable alarm after installation is complete.



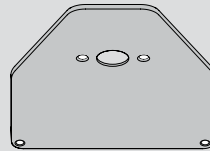
Riser



Watch Bracket



Screws



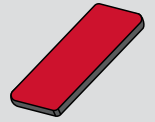
Mounting Plate



Wingnuts

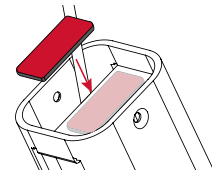
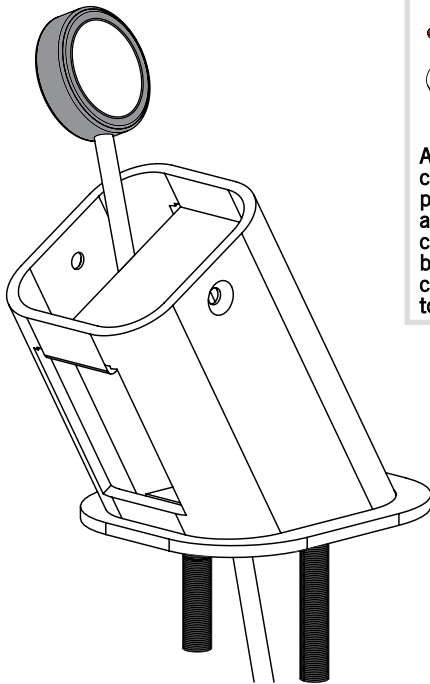


Screws



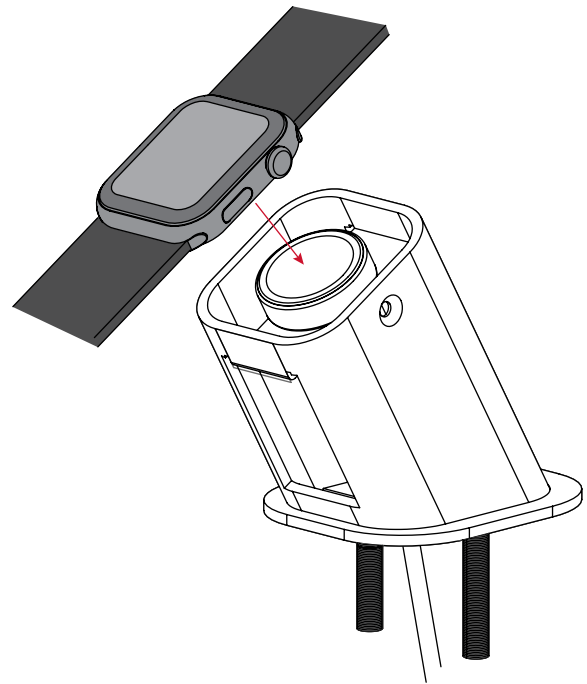
VHB

1

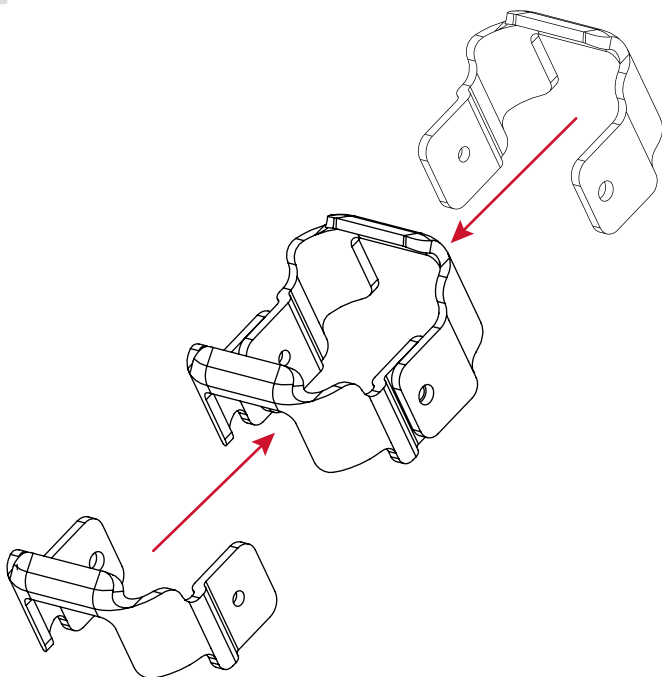


Apply VHB to stand for charger. Stack VHB pads as necessary to align watch with charger. Do not peel backing from VHB--charger should be able to move freely.

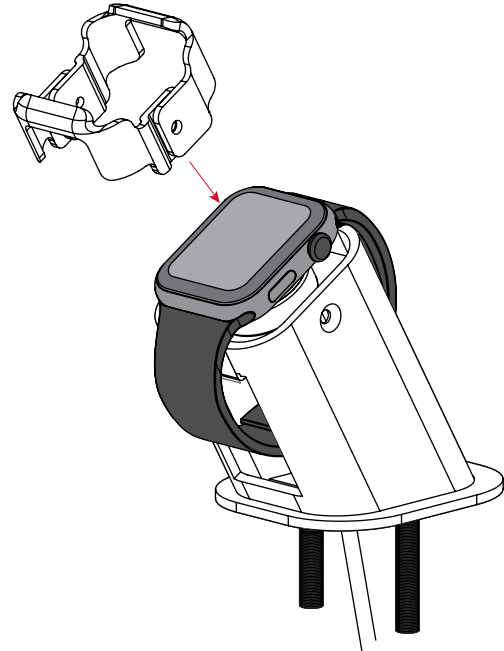
2



3

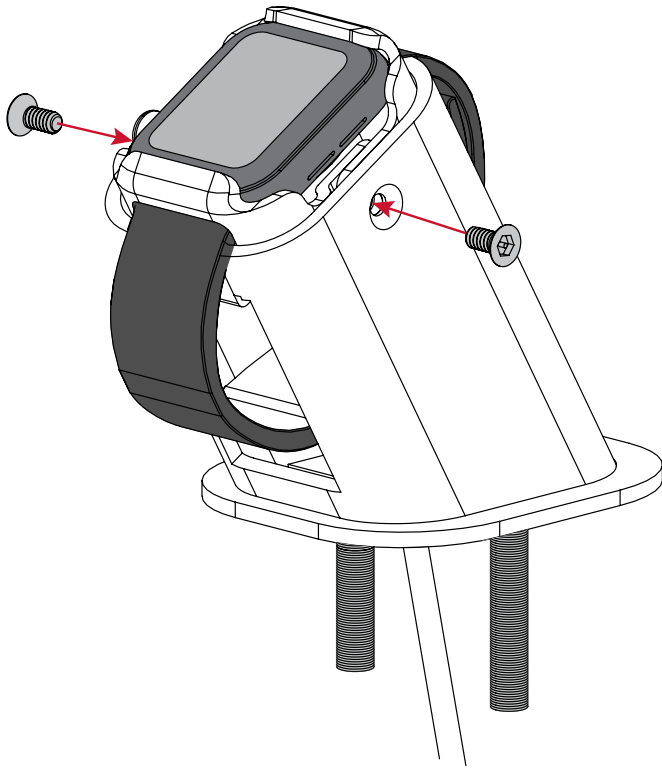


4

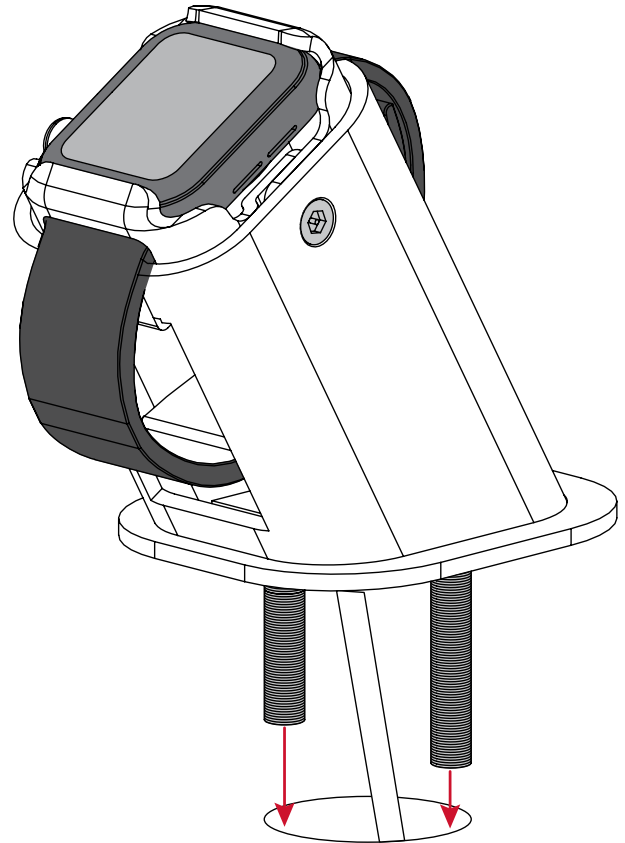


Some watch bands have a loop which interferes with the placement of the bottom watch bracket. See page 3 for steps to follow.

5



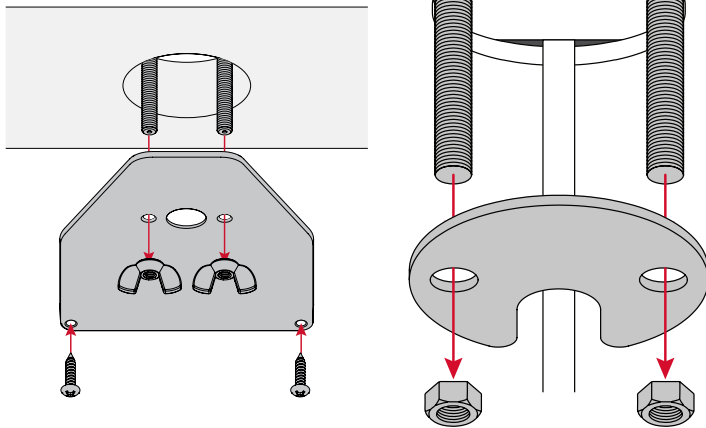
6



7

Install mounting adapter on fixture.

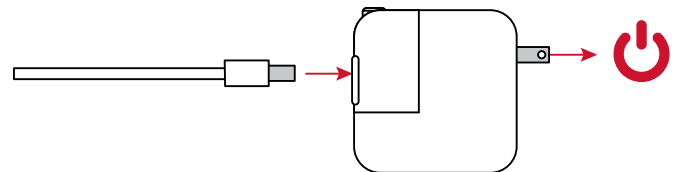
(Front of fixture)



Use a wrench or nut driver to tighten the locknuts.

8

Plug into the power supply and the outlet. Confirm that the watch is charging. If it is not, confirm alignment of watch on charger and retry installation if necessary.



- 1** Release the bottom watch band from the watch bezel. There is a release button on the back of the watch face.



- 2** Install the brackets on the watch and the bracketed watch on the stand.



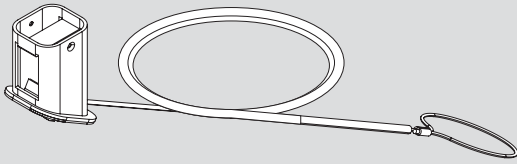
- 3** Tuck in the bottom watch band into the stand.



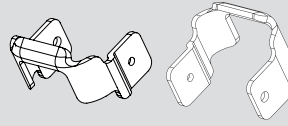
- 4** Proceed with installation (Steps 5-8 above)



**NOTES BEFORE INSTALLING:** Do not overtighten screws. Overtightening screws may damage the threads on devices.



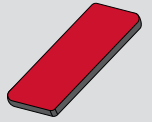
Riser



Watch Bracket

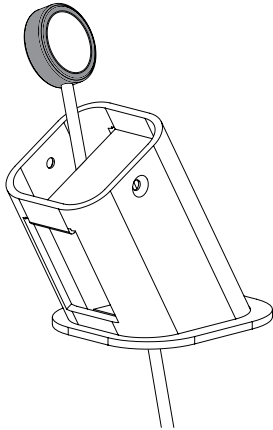


Screws

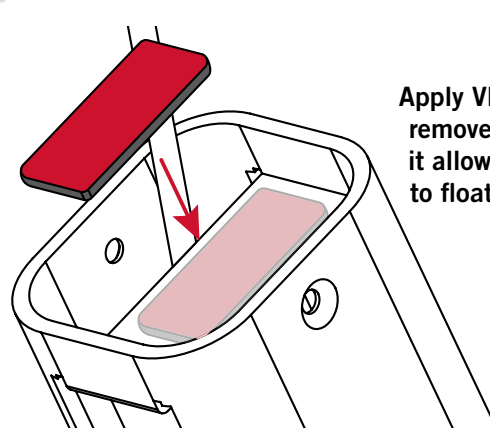


VHB

1

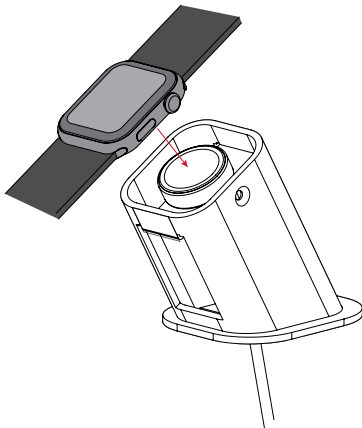


2

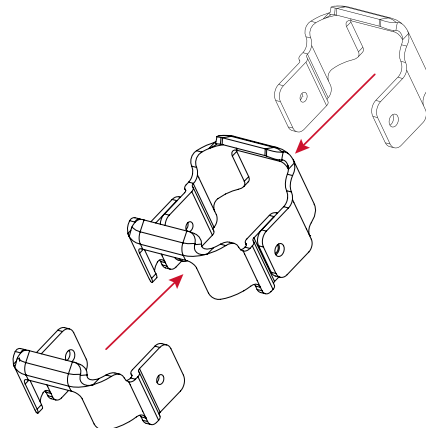


Apply VHB, but do not remove the red liner; it allows the charger to float in the stand.

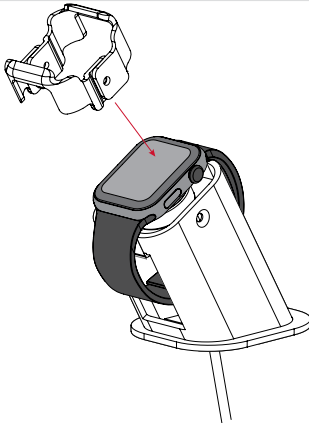
3



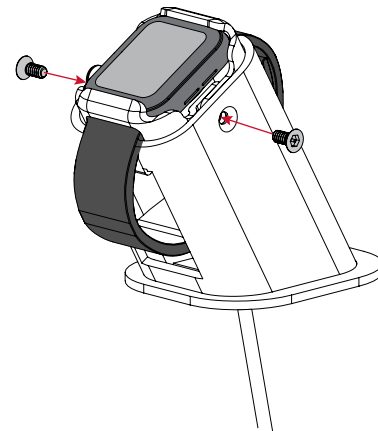
4



5

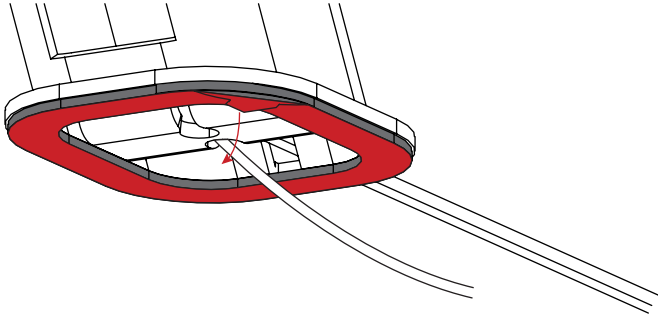


6

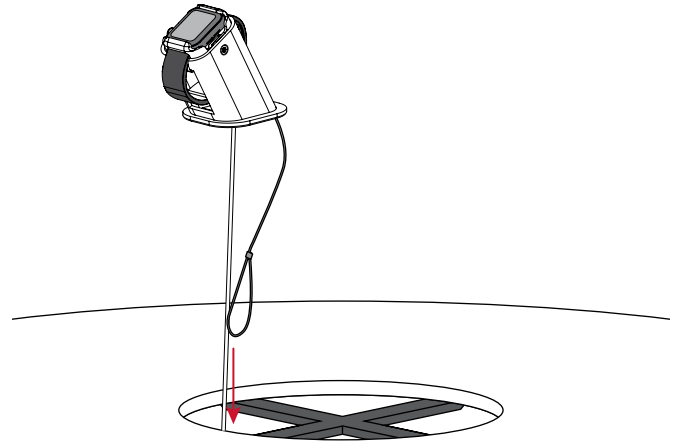


Some watch bands have a loop which interferes with the placement of the bottom watch bracket. See page 3 for steps to follow.

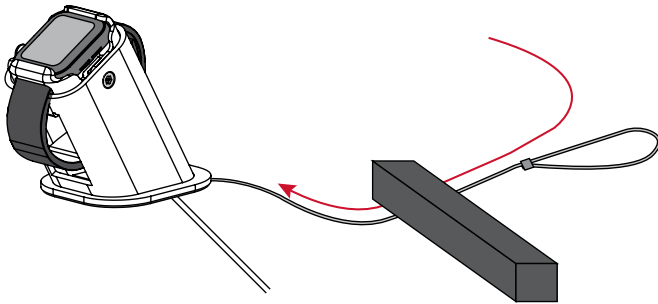
7



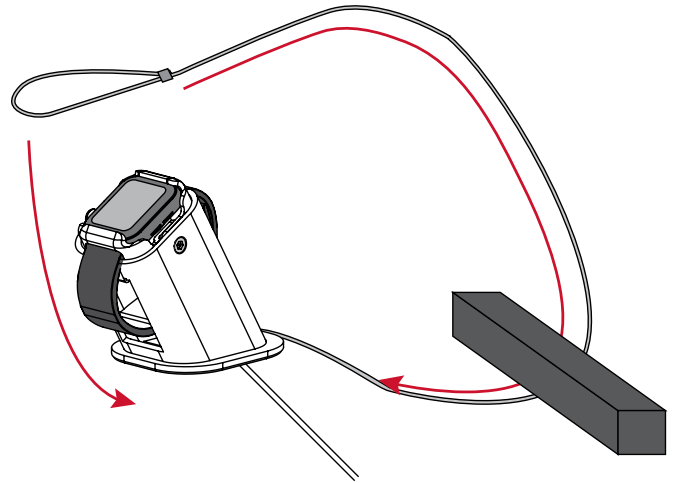
8



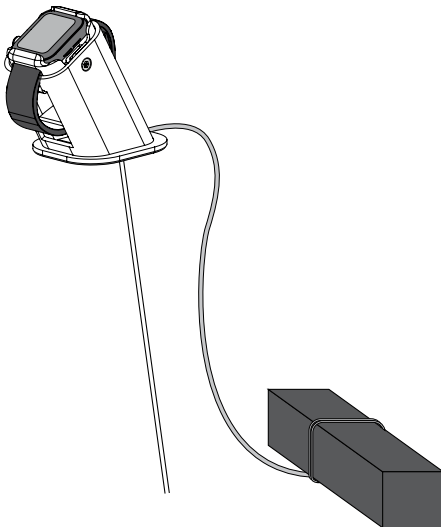
9



10



11



12

